

Milwaukee®

**HEAVY-DUTY
ELECTRIC TOOLS**



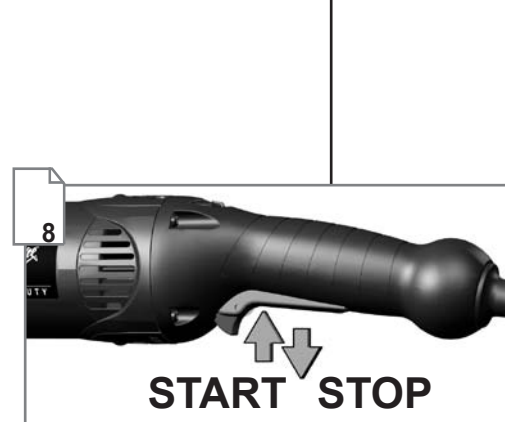
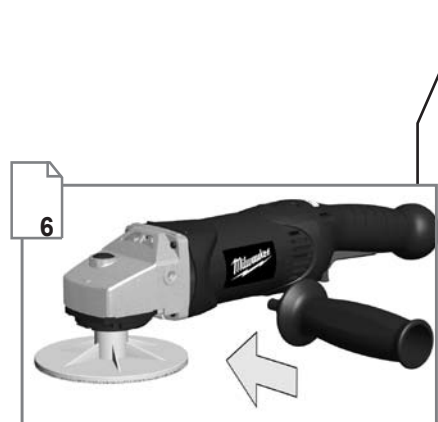
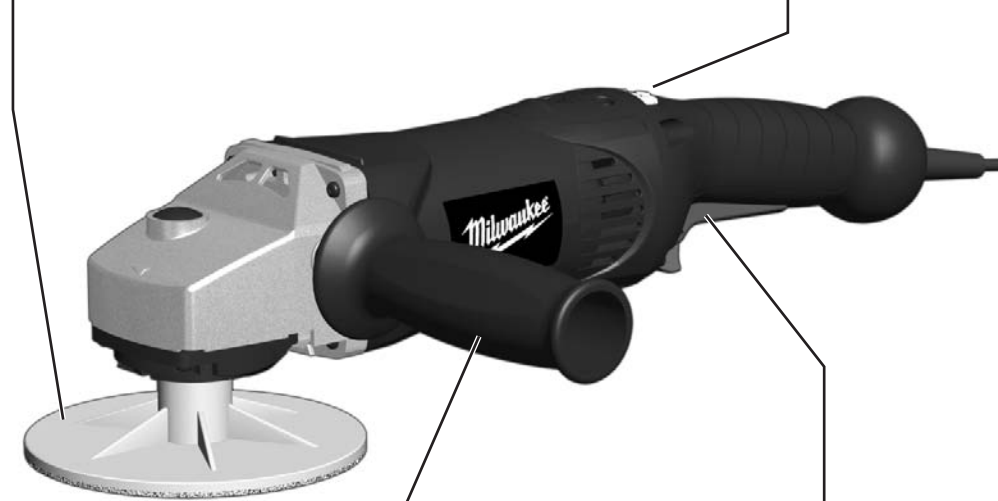
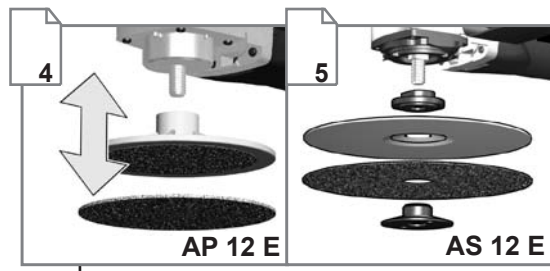
**AS 12 E
AP 12 E**

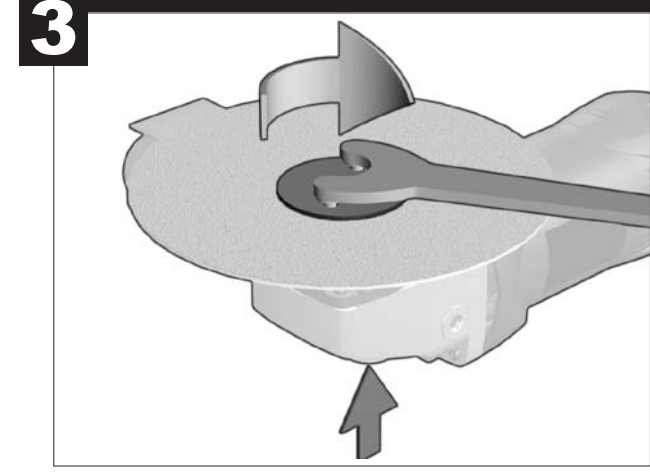
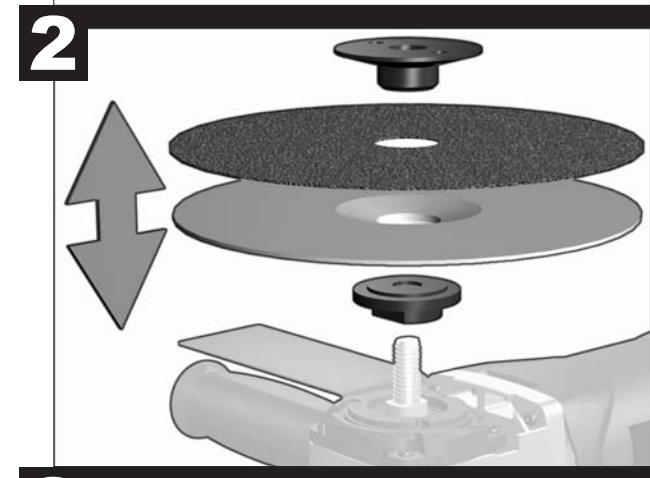
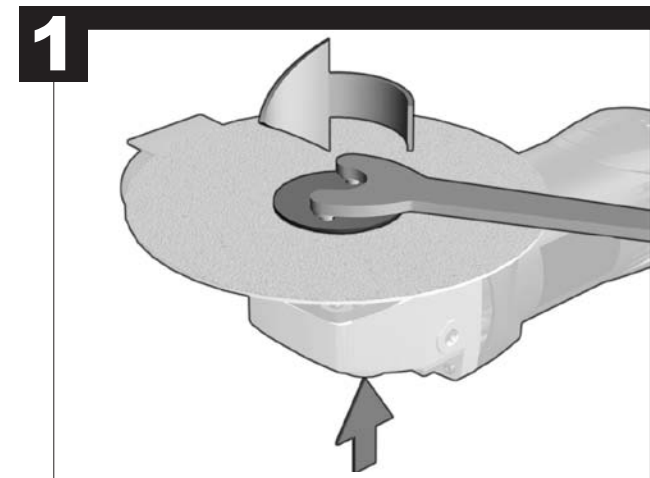
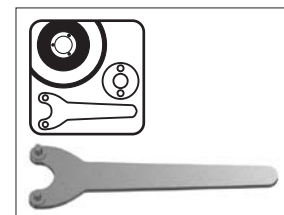
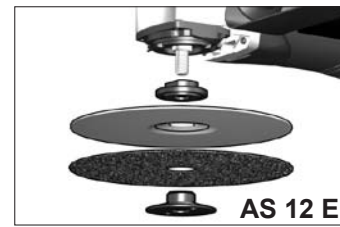
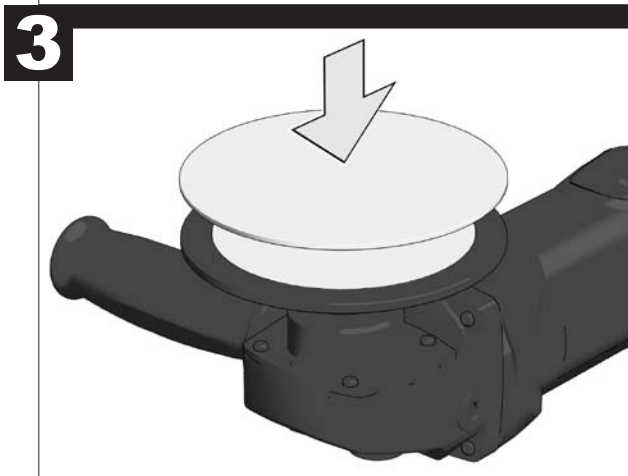
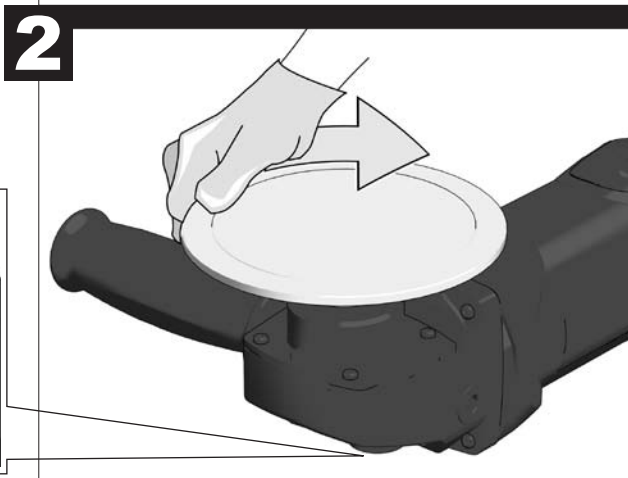
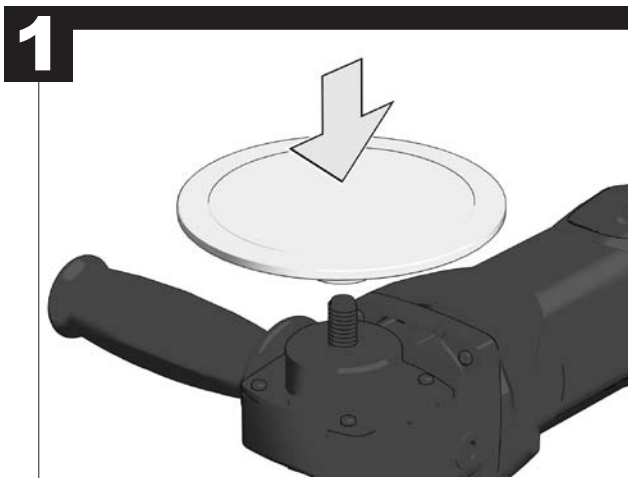
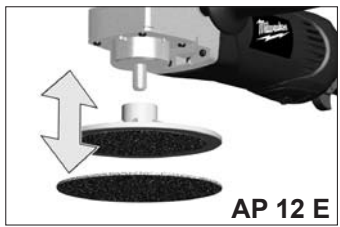


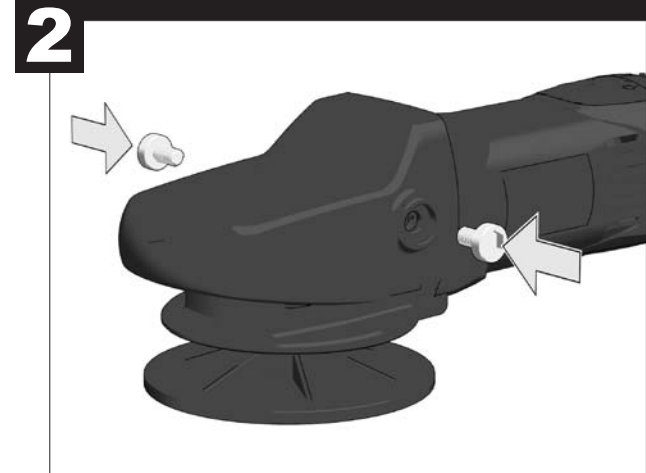
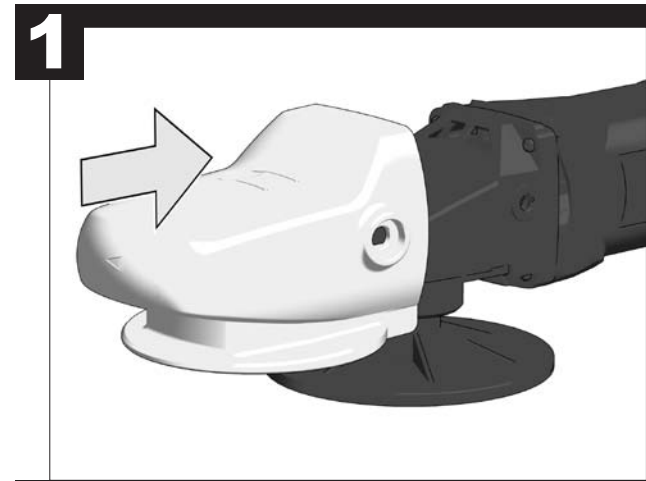
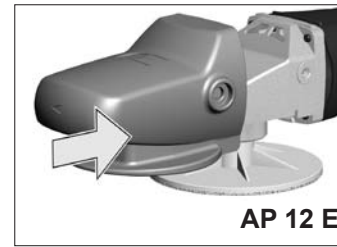
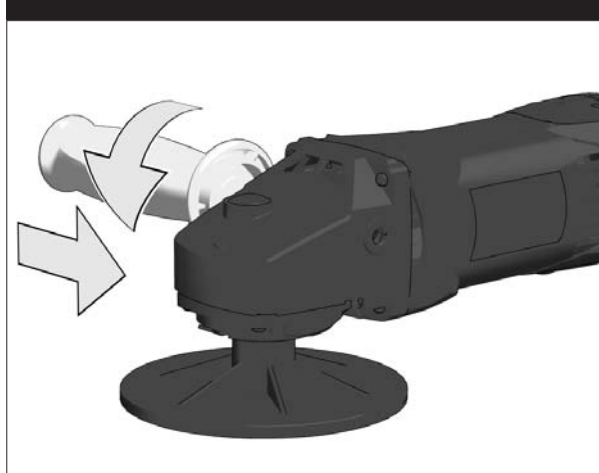
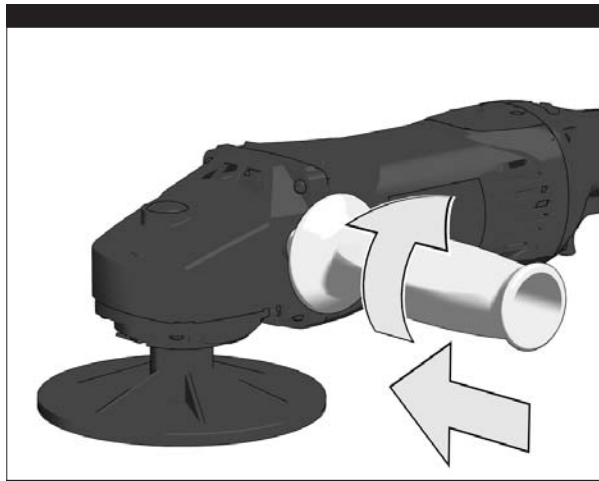
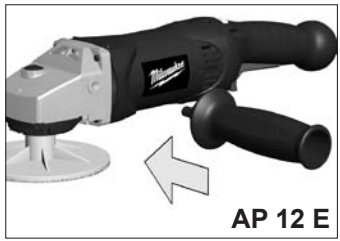
**Original instructions
Originalbetriebsanleitung
Notice originale
Istruzioni originali
Manual original
Manual original
Oorspronkelijke
gebruiksaanwijzing
Original brugsanvisning
Original bruksanvisning
Bruksanvisning i original
Alkuperäiset ohjeet
Πρωτότυπο οδηγιών χρήσης
Orijinal işletme talimatı
Původním návodem k používání**

**Pôvodný návod na použitie
Instrukcją oryginalną
Eredeti használati utasítás
Izvirna navodila
Originalne pogonske upute
Instrukcijām oriģinālvalodā
Originali instrukcija
Algupärane kasutusjuhend
Оригинальное руководство по
эксплуатации
Оригинално ръководство за
експлоатация
Instrucțiuni de folosire originale
Оригинален прирачник за работа
原始的指南**

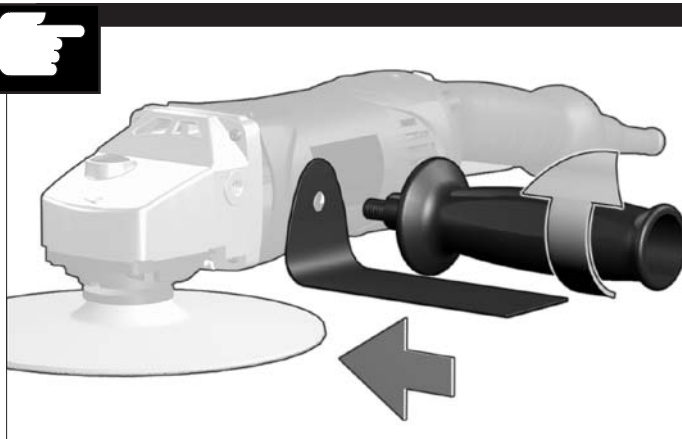
Technical Data, Safety Instructions, Specified Conditions of Use, EC-Declaration of Conformity, Mains connection, Electronics, Maintenance, Symbols	Please read and save these instructions!	ENGLISH	12
Technische Daten, Sicherheitshinweise, Bestimmungsgemäße Verwendung, CE-Konformitätserklärung, Netzanschluss, Elektronik, Wartung, Symbole	Bitte lesen und aufbewahren!	DEUTSCH	15
Caractéristiques techniques, Instructions de sécurité, Utilisation conforme aux prescriptions, Déclaration CE de Conformité, Branchement secteur, Electronique, Entretien, Symboles	Prière de lire et de conserver!	FRANÇAIS	18
Dati tecnici, Norme di sicurezza, Utilizzo conforme, Dichiarazione di Conformità CE, Collegamento alla rete, Elettronica, Manutenzione, Simboli	Si prega di leggere le istruzioni e di conservarle!	ITALIANO	21
Datos técnicos, Instrucciones de seguridad, Aplicación de acuerdo a la finalidad, Declaración de Conformidad CE, Conexión eléctrica, Mantenimiento, Símbolos	Lea y conserve estas instrucciones por favor!	ESPAÑOL	24
Características técnicas, Instruções de segurança, Utilização autorizada, Declaração de Conformidade CE, Ligação à rede, Eletrônica, Manutenção, Símbolo	Por favor leia e conserve em seu poder!	PORTUGUES	27
Technische gegevens, Veiligheidsadviezen, Voorgeschreven gebruik van het systeem, EC-Konformiteitsverklaring, Net aansluiting, Elektroniek, Onderhoud, Symbolen	Lees en let goed op deze adviezen!	NEDERLANDS	30
Tekniske data, Sikkerhedshenvisninger, Tiltænkt formål, CE-Konformitetserklæring, Netttilslutning, Elektronik, Vedligeholdelse, Symboler	Vær venlig at læse og opbevare!	DANSK	33
Tekniske data, Spesielle sikkerhetshenvisninger, Formålmessig bruk, CE-Samsvarserklæring, Netttilkopling, Elektronikk, Vedlikehold, Symboler	Vennligst les og oppbevar!	NORSK	36
Tekniska data, Säkerhetsutrustning, Använd maskinen Enligt anvisningarna, CE-Försäkran, Nätsanslutning, Elektronik, Skötsel, Symboler	Var god läs och tag tillvara dessa instruktioner!	SVENSKA	39
Tekniset arvot, Turvallisuusohjeet, Tarkoituksenmukainen käyttö, Todistus CE-standardin mukaisuudesta, Verkkoiliitäntä, Elektronikka, Huolto, Symbolit	Lue ja säilytö!	SUOMI	42
Τεχνικά στοιχεία, Επίκαιρα υποδείξεις ασφαλείας, Χρήση σύμφωνα με το σκοπό προορισμού, Δήλωση πιστοποίησης CE, Σύνδεση στο ηλεκτρικό δίκτυο, Ηλεκτρονική Ρυθμίση, Συντήρηση, Σύμβολα	Παρακαλώ διαβάστε τις και φυλάξτε τις!	ΕΛΛΗΝΙΚΑ	45
Teknik veriler, Güvenliğin için talimatlar, Kullanım, CE uygunluk beyanına, Şebeke bağlantısı, Elektronik, Bakım, Semboller	Lütfen okuyun ve saklayın	TÜRKÇE	48
Technická data, Speciální bezpečnostní upozornění, Oblast využití, CE-prohlášení o shodě, Připojení na síť, Elektronika, Údržba, Symboly	Po přečtení uschovejte	ČESKY	51
Technické údaje, Speciálne bezpečnostné pokyny, Použitie podľa predpisov, CE-Vyhlasenie konformity, Sieťová prípojka, Elektronika, Údržba, Symboly	Prosím prečítat a uschovať!	SLOVENSKY	54
Dane techniczne, Specjalne zalecenia dotyczace bezpieczenstwa, Uzytkowanie zgodnie z przeznaczeniem, Świadectwo zgodności CE, Podłączenie do sieci, Układ Elektroniczny, Gwarancja, Symbole	Prosimy o uważne przeczytanie i przestrzeganie zaleceń zamie w szczorych w tej instrukcji.	POLSKI	57
Műszaki adatok, Különleges biztonsági tudnivalók, Rendeltetésszerű használat, CE-azonosság nyilatkozat, Hálózati csatlakoztatás, Elektronika, Karbantartás,	Olvassa el és őrizze meg	MAGYAR	60
Tehnični podatki, Specialni varnostni napotki, Uporaba v skladu z namembnostjo, Ce-izjava o konformnosti, Omrežni priključek, Elektronika, Vzdrževanje, Simboli	Prosimo preberite in shranite!	SLOVENSKO	63
Tehnički podaci, Specijalne sigurnosne upute, Propisna upotreba, CE-Izjava konformnosti, Priključak na mrežu, Elektronika, Održavanje, Simboli	Molimo pročitati i sačuvati	HRVATSKI	66
Tehniske dati, Speciālie drošības noteikumi, Noteikumiem atbilstošs izmantojums, Atbilstība CE normām, Tīkla pieslēgums, Elektronika, Apkope, Simboli	Pielikums lietošanas pamācībai	LATVISKI	69
Tehiniai duomenys, Ypatingos saugumo nuorodos, Naudojimas pagal paskirtį, CE Atitikties pareiškimas, Elektros tinklo jungtis, Elektroninis Valdymas, Techninis aptarnavimas, Simboliai	Prašome perskaityti ir neišmesti!	LIETUVIŠKAI	72
Tehnilised andmed, Spetsiaalsed turvajuhised, Kasutamise vastavalt otstarbele, EU Vastavusavaldus, Võrku ühendamine, Elektroonika, Hooldus, Sümbolid	Palun lugege läbi ja hoidke alal!	EESTI	75
Технические данные, Рекомендации по технике безопасности, Использование, Подключение к электросети, Электроника, Обслуживание, Символы	Пожалуйста, прочтите и сохраните настоящую инструкцию	РУССКИЙ	78
Технически данни, Специални указания за безопасност, Използване по предназначение, CE-Декларация за съответствие, Свързване към мрежата, Електроника, Поддръжка,	Моля прочетете и запазете!	БЪЛГАРСКИ	81
Date tehnice, Instrucțiuni de securitate, Condiții de utilizare specificate, Declarație de conformitate, Alimentare de la rețea, Electronică, Întreținere, Simboluri	Va rugăm citiți și păstrați aceste instrucțiuni	ROMÂNIA	84
Технички Податоци, Упатство За Употреба, Специфицирани Услови На Употреба, Еу-декларација За Сообразност, Главни Врски, Електроника, Одржување, Символи	Ве молиме прочитајте го и чувајте го ова упатство!	МАКЕДОНСКИ	87
技术数据, 特殊安全指示, 正确地使用机器, 欧洲安全规定说明, 电源插头, 电子, 维修, 符号	请仔细阅读并妥善保存!	中文	90





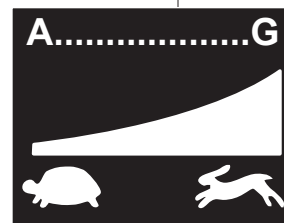
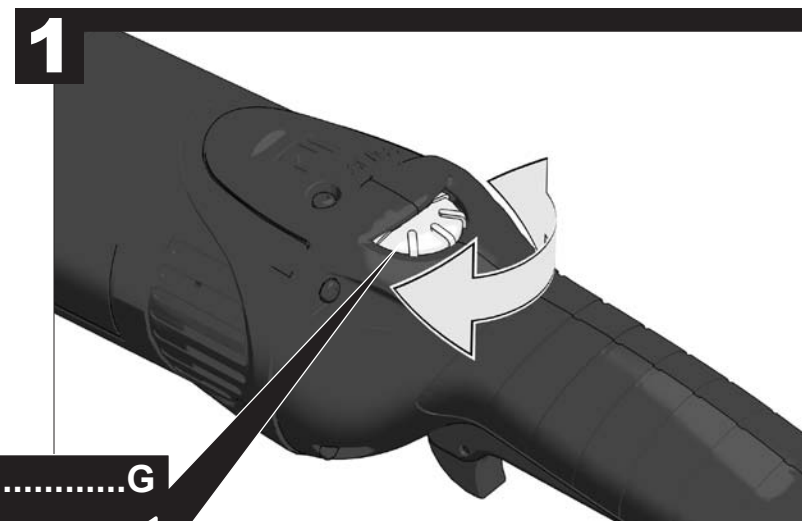
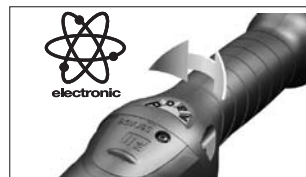
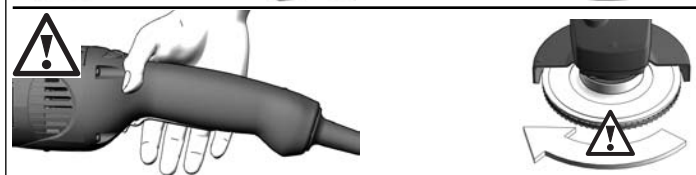
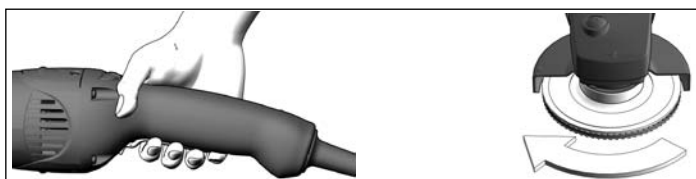
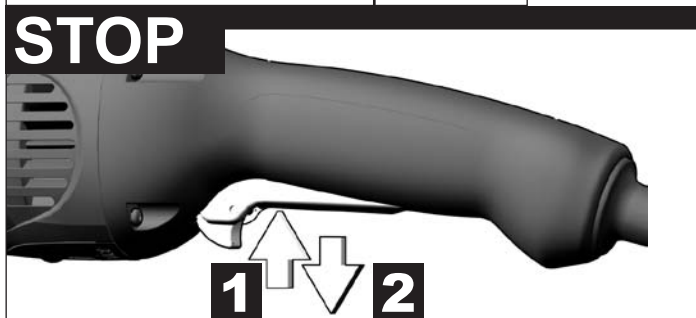
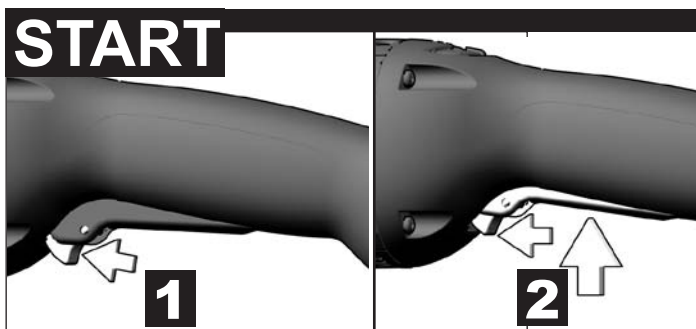


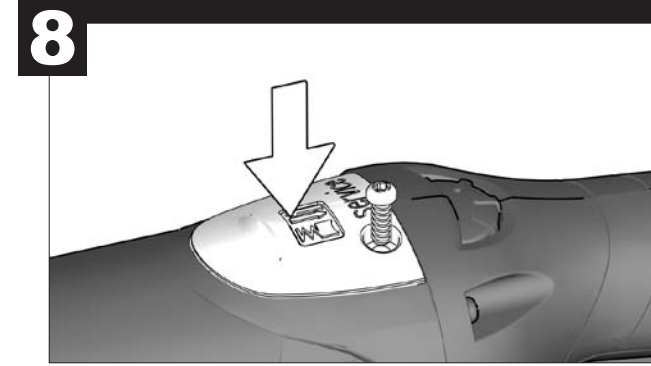
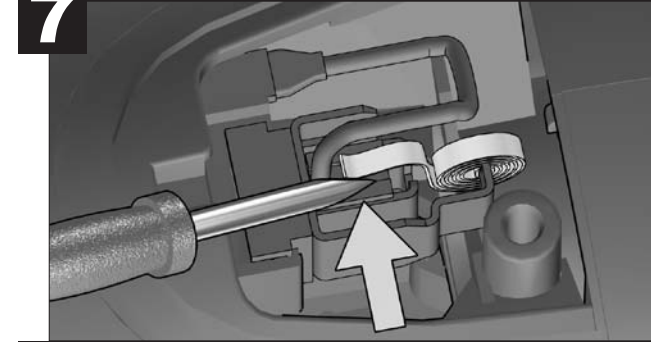
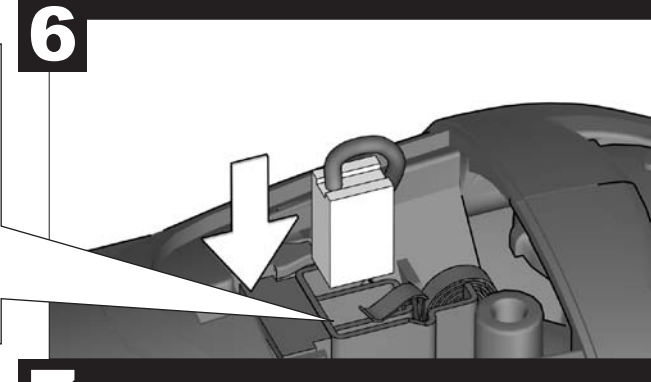
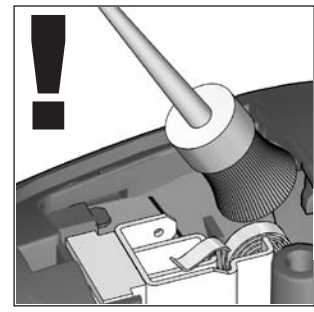
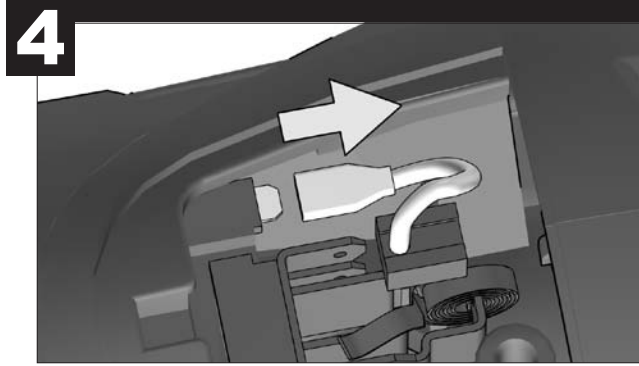
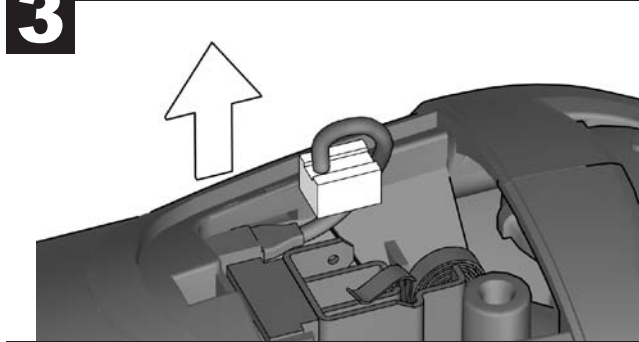
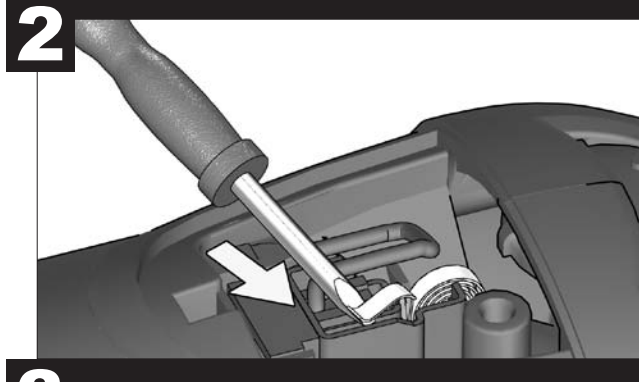
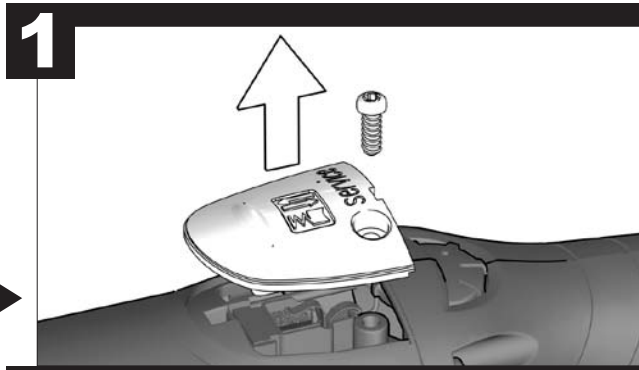
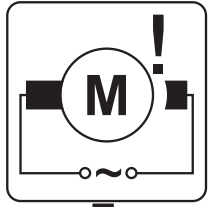
AS 12 E





Switch can be locked
 Schalter ist arretierbar
 Le commutateur peut être verrouillé
 L'interruttore si può bloccare
 El interruptor se puede bloquear.
 O interruptor pode ser bloqueado
 Schakelaar is vastzetbaar
 Afbryder kan fikseres
 Brytaren kan låses
 Brytaren kan arreteras.
 Katkaisimen voi lukita.
 Ο διακόπτης μπορεί να ασφαλιστεί
 Şalter ayarlanabilir
 Vypínač je aretovateľný
 Vypínač je aretovateľný
 Przełącznik daje się zablokować
 A kapcsoló rögzíthető
 Stikalo je nastavljivo
 Prekidač se može aretirati
 Slēdzis ir labojams
 Jungiklis gali būti užblokuojamas
 Lūliti on fikseeritav
 Фиксируемый переключатель
 Превключателят може да се фиксира
 Comutatorul poate fi blocat
 Прекинувачот може да се заклучи
 开关有定位功能。





TECHNICAL DATA	Polisher/Sander	AP 12 E	AS 12 E
Rated input		1200 W	1200 W
Output		600 W	600 W
No-load speed		900-2500 min ⁻¹	1800-4800 min ⁻¹
Max. no-load speed		4700 min ⁻¹	9000 min ⁻¹
Grinding disk diameter		150 mm	180 mm
Thread of work spindle		M 14	M 14
Weight without cable		2,2 kg	2,5 kg

Noise/Vibration Information

Measured values determined according to EN 60745.

Typically, the A-weighted noise levels of the tool are:

Sound pressure level (K = 3 dB(A))	82 dB(A)	82 dB(A)
Sound power level (K = 3 dB(A))	93 dB(A)	93 dB(A)

Wear ear protection!

Total vibration values (vector sum in the three axes) determined according to EN 60745:

Polishing: vibration emission value a _h	<2,5 m/s ²	- m/s ²
Uncertainty K =	1,5 m/s ²	- m/s ²
Disk sanding vibration emission value a _h	- m/s ²	2,8 m/s ²
Uncertainty K =	- m/s ²	1,5 m/s ²

WARNING

The vibration emission level given in this information sheet has been measured in accordance with a standardised test given in EN 60745 and may be used to compare one tool with another. It may be used for a preliminary assessment of exposure.

The declared vibration emission level represents the main applications of the tool. However if the tool is used for different applications, with different accessories or poorly maintained, the vibration emission may differ. This may significantly increase the exposure level over the total working period.

An estimation of the level of exposure to vibration should also take into account the times when the tool is switched off or when it is running but not actually doing the job. This may significantly reduce the exposure level over the total working period.

Identify additional safety measures to protect the operator from the effects of vibration such as: maintain the tool and the accessories, keep the hands warm, organisation of work patterns.

⚠ WARNING! Read all safety warnings and all instructions, including those given in the accompanying brochure. Failure to follow the warnings and instructions may result in electric shock, fire and/or serious injury. **Save all warnings and instructions for future reference.**

SAFETY INSTRUCTIONS

Safety warnings that are common for polishing and sanding:

a) This power tool is intended to function as a sander (only AP 12 E) or polisher (only AS 12 E). Read all safety warnings, instructions, illustrations and specifications provided with this power tool. Failure to follow all instructions listed below may result in electric shock, fire and/or serious injury.

b) This electric tool is not suitable for sanding (only PE150), polishing (only AS 12 E), grinding and working with wire brushes. Using the electric tool for purposes other than those for which it is designed may cause dangers and injuries.

c) Do not use accessories which are not specifically designed and recommended by the tool manufacturer. Just because the accessory can be attached to your power tool, it does not assure safe operation.

d) The rated speed of the accessory must be at least equal to the maximum speed marked on the power tool. Accessories running faster than their rated speed can break and fly apart.

e) The outside diameter and the thickness of your accessory must be within the capacity rating of your power tool. Incorrectly sized accessories cannot be adequately guarded or controlled.

f) The arbour size of wheels, flanges, backing pads or any other accessory must properly fit the spindle of the power tool. Accessories with arbour holes that do not match the mounting hardware of the power tool will run out

of balance, vibrate excessively and may cause loss of control.

g) Do not use a damaged accessory. Before each use inspect the accessory such as backing pad for cracks, tear or excess wear. If power tool or accessory is dropped, inspect for damage or install an undamaged accessory. After inspecting and installing an accessory, position yourself and bystanders away from the plane of the rotating accessory and run the power tool at maximum no-load speed for one minute. Damaged accessories will normally break apart during this test time.

h) Wear personal protective equipment. Depending on application, use face shield, safety goggles or safety glasses. As appropriate, wear dust mask, hearing protectors, gloves and shop apron capable of stopping small abrasive or workpiece fragments. The eye protection must be capable of stopping flying debris generated by various operations. The dust mask or respirator must be capable of filtering particles generated by your operation. Prolonged exposure to high intensity noise may cause hearing loss.

i) Keep bystanders a safe distance away from work area. Anyone entering the work area must wear personal protective equipment. Fragments of workpiece or of a broken accessory may fly away and cause injury beyond immediate area of operation.

j) Hold power tool by insulated gripping surfaces only, when performing an operation where the cutting accessory may contact hidden wiring or its own cord. Cutting accessory contacting a „live“ wire may make exposed metal parts of the power tool „live“ and shock the operator.

k) Position the cord clear of the spinning accessory. If you lose control, the cord may be cut or snagged and your hand or arm may be pulled into the spinning accessory.

l) Never lay the power tool down until the accessory has come to a complete stop. The spinning accessory may grab the surface and pull the power tool out of your control.

m) Do not run the power tool while carrying it at your side. Accidental contact with the spinning accessory could snag your clothing, pulling the accessory into your body.

n) Regularly clean the power tool's air vents. The motor's fan will draw the dust inside the housing and excessive accumulation of powdered metal may cause electrical hazards.

o) Do not operate the power tool near flammable materials. Sparks could ignite these materials.

p) Do not use accessories that require liquid coolants. Using water or other liquid coolants may result in electrocution or shock.

Kickback and Related Warnings

Kickback is a sudden reaction to a pinched or snagged rotating wheel, backing pad, brush or any other accessory. Pinching or snagging causes rapid stalling of the rotating accessory which in turn causes the uncontrolled power tool to be forced in the direction opposite of the accessory's rotation at the point of the binding.

For example, if an abrasive wheel is snagged or pinched by the workpiece, the edge of the wheel that is entering into the pinch point can dig into the surface of the material causing the wheel to climb out or kick out. The wheel may either jump toward or away from the operator, depending on direction of the wheel's movement at the point of pinching.

Kickback is the result of power tool misuse and/or incorrect operating procedures or conditions and can be avoided by taking proper precautions as given below.

a) Maintain a firm grip on the power tool and position your body and arm to allow you to resist kickback forces. Always use auxiliary handle, if provided, for maximum control over kickback or torque reaction during start-up. The operator can control torque reactions or kickback forces, if proper precautions are taken.

b) Never place your hand near the rotating accessory. Accessory may kickback over your hand.

c) Do not position your body in the area where power tool will move if kickback occurs. Kickback will propel the tool in direction opposite to the wheel's movement at the point of snagging.

d) Use special care when working corners, sharp edges etc. Avoid bouncing and snagging the accessory. Corners, sharp edges or bouncing have a tendency to snag the rotating accessory and cause loss of control or kickback.

e) Do not attach a saw chain, woodcarving blade or toothed saw blade. Such blades create frequent kickback and loss of control.

AS 12 E: Safety Warnings Specific for Sanding Operations:

a) Do not use excessively oversized sanding disc paper. Follow manufacturers recommendations, when selecting sanding paper. Larger sanding paper extending beyond the sanding pad presents a laceration hazard and may cause snagging, tearing of the disc or kickback.

AP 12 E: Safety Warnings Specific for Polishing Operations:

a) Do not allow any loose portion of the polishing bonnet or its attachment strings to spin freely. Tuck away or trim any loose attachment strings. Loose and spinning attachment strings can entangle your fingers or snag on the workpiece.

Appliances used at many different locations including open air should be connected via a residual current device of 30 mA or less.

Dust and splinters must not be removed while the machine is running.

Only plug-in when machine is switched off.

Never reach into the danger area of the tool when it is running.

Always use the auxiliary handle.

Immediately switch off the machine in case of considerable vibrations or if other malfunctions occur. Check the machine in order to find out the cause.

Always use and store the grinding disks according to the manufacturer's instructions.

When grinding metal, flying sparks are produced. Take care that no persons are endangered. Because of the danger of fire, no combustible materials should be located in the vicinity (spark flight zone). Do not use dust extraction.

Due care should be taken that no sparks or sanding dust flying from the workpiece come into contact with you.

The adjusting nut must be tightened before starting to work with the machine.

The workpiece must be fixed if it is not heavy enough to be steady. Never lead the workpiece to the grinding disk with your hand.

Under extreme conditions (e.g. smooth-grinding metals with the arbour and vulcanized fibre grinding wheel), significant contamination can build up on the inside of the angle grinder. For safety reasons, in such conditions the inside should be cleaned thoroughly of metal deposits and a motor circuit-breaker must be connected in series. If the motor circuit-breaker trips the machine must be sent for repair.

For accessories intended to be fitted with threaded hole wheel, ensure that the thread in the wheel is long enough to accept the spindle length.

SPECIFIED CONDITIONS OF USE

AP 12 E: The polisher can be used for polishing lacquers, coatings, plastics and other smooth surfaces.

AS 12 E: The sander can be used for sanding wood, plastics and metal.

Do not use this product in any other way as stated for normal use.

EC-DECLARATION OF CONFORMITY

We declare under our sole responsibility that this product is in conformity with the following standards or standardized documents. EN 60745, EN 55014-1, EN 55014-2, EN 61000-3-2, EN 61000-3-3, in accordance with the regulations 2006/42/EC, 2004/108/EC



Winnenden, 2010-01-10

Rainer Kumpf
Manager Product Development

Authorized to compile the technical file

MAINS CONNECTION

Connect only to single-phase a.c. current and only to the system voltage indicated on the rating plate. It is also possible to connect to sockets without an earthing contact as the design conforms to safety class II.

The ventilation slots of the machine must be kept clear at all times.

Use only AEG accessories and spare parts. Should components need to be exchanged which have not been described, please contact one of our AEG service agents (see our list of guarantee/service addresses).

If needed, an exploded view of the tool can be ordered. Please state the ten-digit No. as well as the machine type printed on the label and order the drawing at your local service agents or directly at: AEG Elektrowerkzeuge, Max-Eyth-Straße 10, D-71364 Winnenden, Germany.



Please read the instructions carefully before starting the machine.



Always wear goggles when using the machine.



Always disconnect the plug from the socket before carrying out any work on the machine.



Accessory - Not included in standard equipment, available as an accessory.



Do not dispose of electric tools together with household waste material! In observance of European Directive 2002/96/EC on waste electrical and electronic equipment and its implementation in accordance with national law, electric tools that have reached the end of their life must be collected separately and returned to an environmentally compatible recycling facility.

Nennaufnahmeleistung.....	1200 W	1200 W
Abgabeleistung.....	600 W	600 W
Leerlaufdrehzahl.....	900-2500 min ⁻¹	1800-4800 min ⁻¹
max. Leerlaufdrehzahl.....	4700 min ⁻¹	9000 min ⁻¹
Schleifscheiben-ø.....	150 mm	180 mm
Spindelgewinde.....	M 14	M 14
Gewicht ohne Netzkabel.....	2,1 kg	2,5 kg

Geräusch/Vibrationsinformation

Messwerte ermittelt entsprechend EN 60 745.

Der A-bewertete Geräuschpegel des Gerätes beträgt

typischerweise:

Schalldruckpegel (K = 3 dB(A)).....	82 dB(A)	82 dB(A)
Schallleistungspegel (K = 3 dB(A)).....	93 dB(A)	93 dB(A)

Gehörschutz tragen!

Schwingungsgesamtwerte (Vektorsumme dreier Richtungen)

ermittelt entsprechend EN 60745.

Polieren: Schwingungsemissionswert a _n	<2,5 m/s ²	m/s ²
Unsicherheit K =	1,5 m/s ²	m/s ²
Sandpapierschleifen: Schwingungsemissionswert a _n	m/s ²	2,8 m/s ²
Unsicherheit K =	m/s ²	1,5 m/s ²

WARNUNG

Der in diesen Anweisungen angegebene Schwingungspegel ist entsprechend einem in EN 60745 genormten Messverfahren gemessen worden und kann für den Vergleich von Elektrowerkzeugen miteinander verwendet werden. Er eignet sich auch für eine vorläufige Einschätzung der Schwingungsbelastung.

Der angegebene Schwingungspegel repräsentiert die hauptsächlichen Anwendungen des Elektrowerkzeugs. Wenn allerdings das Elektrowerkzeug für andere Anwendungen, mit abweichenden Einsatzwerkzeugen oder ungenügender Wartung eingesetzt wird, kann der Schwingungspegel abweichen. Dies kann die Schwingungsbelastung über den gesamten Arbeitszeitraum deutlich erhöhen.

Für eine genaue Abschätzung der Schwingungsbelastung sollten auch die Zeiten berücksichtigt werden, in denen das Gerät abgeschaltet ist oder zwar läuft, aber nicht tatsächlich im Einsatz ist. Dies kann die Schwingungsbelastung über den gesamten Arbeitszeitraum deutlich reduzieren.

Legen Sie zusätzliche Sicherheitsmaßnahmen zum Schutz des Bedieners vor der Wirkung von Schwingungen fest wie zum Beispiel: Wartung von Elektrowerkzeug und Einsatzwerkzeugen, Warmhalten der Hände, Organisation der Arbeitsabläufe.

⚠ WARNUNG! Lesen Sie alle Sicherheitshinweise und Anweisungen, auch die in der beiliegenden Broschüre. Versäumnisse bei der Einhaltung der Sicherheitshinweise und Anweisungen können elektrischen Schlag, Brand und/oder schwere Verletzungen verursachen. **Bewahren Sie alle Sicherheitshinweise und Anweisungen für die Zukunft auf.**

SPEZIELLE SICHERHEITSHINWEISE

Gemeinsame Sicherheitshinweise zum Polieren und Sandpapierschleifen.

a) Dieses Elektrowerkzeug ist zu verwenden als Polierer (nur AP 12 E) und Sandpapierschleifer (nur AS 12 E). Beachten Sie alle Sicherheitshinweise, Anweisungen, Darstellungen und Daten, die Sie mit dem Elektrowerkzeug erhalten. Wenn Sie die folgenden Anweisungen nicht beachten, kann es zu elektrischem Schlag, Feuer und/oder schweren Verletzungen kommen.

b) Dieses Elektrowerkzeug ist nicht geeignet zum Sandpapierschleifen (nur AP 12 E), Polieren (nur AS 12 E), Schleifen mit Schleifscheibe, Trennschleifen und Drahtbürsten. Verwendungen, für die das Elektrowerkzeug nicht vorgesehen ist, können Gefährdungen und Verletzungen verursachen.

c) Verwenden Sie kein Zubehör, das vom Hersteller nicht speziell für dieses Elektrowerkzeug vorgesehen und empfohlen wurde. Nur weil Sie das Zubehör an Ihrem Elektrowerkzeug befestigen können, garantiert das keine sichere Verwendung.

d) Die zulässige Drehzahl des Einsatzwerkzeugs muss mindestens so hoch sein wie die auf dem Elektrowerkzeug angegebene Höchstdrehzahl. Zubehör, das sich schneller als zulässig dreht, kann zerbrechen und umherfliegen.

e) Außendurchmesser und Dicke des Einsatzwerkzeugs müssen den Maßangaben Ihres Elektrowerkzeugs entsprechen. Falsch bemessene Einsatzwerkzeuge können nicht ausreichend abgeschirmt oder kontrolliert werden.

f) Einsatzwerkzeuge, Flansche, Schleifteller oder anderes Zubehör müssen genau auf die Schleifspindel Ihres Elektrowerkzeugs passen. Einsatzwerkzeuge, die nicht genau auf die Schleifspindel des Elektrowerkzeugs passen, drehen sich ungleichmäßig, vibrieren sehr stark und können zum Verlust der Kontrolle führen.

g) Verwenden Sie keine beschädigten Einsatzwerkzeuge. Kontrollieren Sie vor jeder Verwendung Einsatzwerkzeuge wie Schleifteller auf Risse, Verschleiß oder starke Abnutzung. Wenn das Elektrowerkzeug oder das Einsatzwerkzeug herunterfällt, überprüfen Sie, ob es beschädigt ist, oder verwenden Sie ein unbeschädigtes Einsatzwerkzeug. Wenn Sie das Einsatzwerkzeug kontrolliert und eingesetzt haben, halten Sie und in der Nähe befindliche Personen sich außerhalb der Ebene des rotierenden Einsatzwerkzeugs auf und lassen Sie das Elektrowerkzeug eine Minute lang mit Höchstdrehzahl laufen. Beschädigte Einsatzwerkzeuge brechen meist in dieser Testzeit.

h) Tragen Sie persönliche Schutzausrüstung. Verwenden Sie je nach Anwendung Vollgesichtsschutz, Augenschutz oder Schutzbrille. Soweit angemessen, tragen Sie Staubmaske, Gehörschutz, Schutzhandschuhe oder Spezialschürze, die kleine Schleif- und Materialpartikel von Ihnen fernhält. Die Augen sollen vor herumfliegenden Fremdkörpern geschützt werden, die bei verschiedenen Anwendungen entstehen. Staub- oder Atemschutzmaske müssen den bei der Anwendung entstehenden Staub filtern. Wenn Sie lange lautem Lärm ausgesetzt sind, können Sie einen Hörverlust erleiden.

i) **Achten Sie bei anderen Personen auf sicheren Abstand zu Ihrem Arbeitsbereich. Jeder, der den Arbeitsbereich betritt, muss persönliche Schutzausrüstung tragen.** Bruchstücke des Werkstücks oder gebrochener Einsatzwerkzeuge können wegfliegen und Verletzungen auch außerhalb des direkten Arbeitsbereichs verursachen.

j) **Fassen Sie das Elektrowerkzeug nur an den isolierten Griffflächen an, wenn Sie Arbeiten ausführen, bei denen das Einsatzwerkzeug verborgene Stromleitungen oder das eigene Netzkabel treffen kann.** Kontakt mit einer spannungsführenden Leitung setzt auch Metallteile des Elektrowerkzeugs unter Spannung und führt zu einem elektrischen Schlag.

k) **Halten Sie das Netzkabel von sich drehenden Einsatzwerkzeugen fern.** Wenn Sie die Kontrolle über das Elektrowerkzeug verlieren, kann das Netzkabel durchtrennt oder erfasst werden und Ihre Hand oder Ihr Arm in das sich drehende Einsatzwerkzeug geraten.

l) **Legen Sie das Elektrowerkzeug niemals ab, bevor das Einsatzwerkzeug völlig zum Stillstand gekommen ist.** Das sich drehende Einsatzwerkzeug kann in Kontakt mit der Ablagefläche geraten, wodurch Sie die Kontrolle über das Elektrowerkzeug verlieren können.

m) **Lassen Sie das Elektrowerkzeug nicht laufen, während Sie es tragen.** Ihre Kleidung kann durch zufälligen Kontakt mit dem sich drehenden Einsatzwerkzeug erfasst werden, und das Einsatzwerkzeug sich in Ihren Körper bohren.

n) **Reinigen Sie regelmäßig die Lüftungsschlitze Ihres Elektrowerkzeugs.** Das Motorgebläse zieht Staub in das Gehäuse, und eine starke Ansammlung von Metallstaub kann elektrische Gefahren verursachen.

o) **Verwenden Sie das Elektrowerkzeug nicht in der Nähe brennbarer Materialien.** Funken können diese Materialien entzünden.

p) **Verwenden Sie keine Einsatzwerkzeuge, die flüssige Kühlmittel erfordern.** Die Verwendung von Wasser oder anderen flüssigen Kühlmitteln kann zu einem elektrischen Schlag führen.

Rückschlag und entsprechende Sicherheitshinweise

Rückschlag ist die plötzliche Reaktion infolge eines hakenden oder blockierten drehenden Einsatzwerkzeugs wie Schleifteller oder Polierscheibe. Verhaken oder Blockieren führt zu einem abrupten Stopp des rotierenden Einsatzwerkzeugs. Dadurch wird ein unkontrolliertes Elektrowerkzeug gegen die Drehrichtung des Einsatzwerkzeugs an der Blockierstelle beschleunigt. Wenn z. B. ein Schleifteller im Werkstück hakelt oder blockiert, kann der Schleifteller einen Rückschlag verursachen. Der Schleifteller bewegt sich dann auf die Bedienperson zu oder von ihr weg, je nach Drehrichtung des Schleiftellers an der Blockierstelle. Ein Rückschlag ist die Folge eines falschen oder fehlerhaften Gebrauchs des Elektrowerkzeugs. Er kann durch geeignete Vorsichtsmaßnahmen, wie nachfolgend beschrieben, verhindert werden.

a) **Halten Sie das Elektrowerkzeug gut fest und bringen Sie Ihren Körper und Ihre Arme in eine Position, in der Sie die Rückschlagkräfte abfangen können. Verwenden Sie immer den Zusatzgriff, falls vorhanden, um die größtmögliche Kontrolle über Rückschlagkräfte oder Reaktionsmomente beim Hochlauf zu haben.** Die Bedienperson kann durch geeignete Vorsichtsmaßnahmen die Rückschlag- und Reaktionskräfte beherrschen.

b) **Bringen Sie Ihre Hand nie in die Nähe sich drehender Einsatzwerkzeuge.** Das Einsatzwerkzeug kann sich beim Rückschlag über Ihre Hand bewegen.

c) **Meiden Sie mit Ihrem Körper den Bereich, in den das Elektrowerkzeug bei einem Rückschlag bewegt wird.** Der Rückschlag treibt das Elektrowerkzeug in die Richtung

entgegengesetzt zur Bewegung der Schleifscheibe an der Blockierstelle.

d) **Arbeiten Sie besonders vorsichtig im Bereich von Ecken, scharfen Kanten usw. Verhindern Sie, dass Einsatzwerkzeuge vom Werkstück zurückprallen und verkleben.** Das rotierende Einsatzwerkzeug neigt bei Ecken, scharfen Kanten oder wenn es abprallt, dazu, sich zu verkleben. Dies verursacht einen Kontrollverlust oder Rückschlag.

e) **Verwenden Sie kein Ketten- oder gezähntes Sägeblatt.** Solche Einsatzwerkzeuge verursachen häufig einen Rückschlag oder den Verlust der Kontrolle über das Elektrowerkzeug.

AS 12 E: Besondere Sicherheitshinweise zum Sandpapiers Schleifen

a) **Benutzen Sie keine überdimensionierten Schleifblätter, sondern befolgen Sie die Herstellerangaben zur Schleifblattgröße.** Schleifblätter, die über den Schleifteller hinausragen, können Verletzungen verursachen sowie zum Blockieren, Zerreißens der Schleifblätter oder zum Rückschlag führen.

AP 12 E: Besondere Sicherheitshinweise zum Polieren

a) **Lassen Sie keine losen Teile der Polierhaube, insbesondere Befestigungsschnüre, zu. Verstauben oder kürzen Sie die Befestigungsschnüre.** Lose, sich mitdrehende Befestigungsschnüre können Ihre Finger erfassen oder sich im Werkstück verfangen.

Steckdosen in Außenbereichen müssen mit Fehlerstrom-Schutzschaltern (FI, RCD, PRCD) ausgerüstet sein. Das verlangt die Installationsvorschrift für Ihre Elektroanlage. Bitte beachten Sie das bei der Verwendung unseres Gerätes.

Späne oder Splitter dürfen bei laufender Maschine nicht entfernt werden.

Maschine nur ausgeschaltet an die Steckdose anschließen.

Nicht in den Gefahrenbereich der laufenden Maschine greifen.

Stets den Zusatzhandgriff verwenden.

Gerät sofort ausschalten, wenn beträchtliche Schwingungen auftreten oder andere Mängel festgestellt werden. Überprüfen Sie die Maschine, um die Ursache festzustellen.

Schleifscheiben stets gemäß den Angaben des Herstellers verwenden und aufbewahren.

Beim Schleifen von Metallen entsteht Funkenflug. Darauf achten, dass keine Personen gefährdet werden. Wegen der Brandgefahr dürfen sich keine brennbaren Materialien in der Nähe (Funkenflugbereich) befinden. Keine Staubabsaugung verwenden.

Gerät immer so halten, dass Funken oder Schleifstaub vom Körper wegfliegen.

Die Flanschnutter muss vor Inbetriebnahme der Maschine angezogen sein.

Das zu bearbeitende Werkstück muss festgespannt werden, sofern es nicht durch sein Eigengewicht hält. Niemals Werkstück mit der Hand gegen die Scheibe führen.

Bei extremen Einsatzbedingungen (z. B. beim Glattschleifen von Metallen mit dem Stützteller und Vulkanfieber-Schleifscheiben) kann sich eine starke Verschmutzung im Inneren des Winkelschleifers aufbauen. Bei solchen Einsatzbedingungen ist aus Sicherheitsgründen eine gründliche Reinigung im Inneren von Metallablagerungen und zwingend das Vorschalten eines Fehlerstrom- (FI) Schutzschalters erforderlich. Nach Ansprechen des

FI-Schutzschalters muss die Maschine zur Reparatur eingesandt werden.

Vergewissern Sie sich bei Schleifwerkzeugen mit Gewindeinsatz, dass das Gewinde lang genug ist, um die Spindellänge aufzunehmen.

BESTIMMUNGSGEMÄÑE VERWENDUNG

AP 12 E: Der Polierer ist einsetzbar zum Polieren von vielen Materialien, z.B. Metall, Kunststoff und Glas. Beachten Sie im Zweifelsfall die Hinweise der Zubehörhersteller.

AS 12 E: Der Sandpapiersschleifer ist einsetzbar zum Schleifen von vielen Materialien, z.B. Metall, Kunststoff und Holz. Beachten Sie im Zweifelsfall die Hinweise der Zubehörhersteller.

Dieses Gerät darf nur wie angegeben bestimmungsgemäß verwendet werden.

CE-KONFORMITÄTSERKLÄRUNG

Wir erklären in alleiniger Verantwortung, dass dieses Produkt mit den folgenden Normen oder normativen Dokumenten übereinstimmt. EN 60745, EN 55014-1, EN 55014-2, EN 61000-3-2, EN 61000-3-3, gemäß den Bestimmungen der Richtlinien 2006/42/EG, 2004/108/EG



Winnenden, 2010-01-10

Rainer Kumpf
Manager Product Development

Bevollmächtigt die technischen Unterlagen zusammenzustellen

NETZANSCHLUSS

Nur an Einphasen-Wechselstrom und nur an die auf dem Leistungsschild angegebene Netzspannung anschließen. Anschluss ist auch an Steckdosen ohne Schutzkontakt möglich, da ein Aufbau der Schutzklasse II vorliegt.

WARTUNG

Stets die Lüftungsschlitze der Maschine sauber halten.

Nur AEG Zubehör und Ersatzteile verwenden. Bauteile, deren Austausch nicht beschrieben wurde, bei einer AEG Kundendienststelle auswechseln lassen (Broschüre Garantie/Kundendienstadressen beachten).

Bei Bedarf kann eine Explosionszeichnung des Gerätes unter Angabe der Maschinen Type und der zehnstelligen Nummer auf dem Leistungsschild bei Ihrer Kundendienststelle oder direkt bei AEG Elektrowerkzeuge, Max-Eyth-Straße 10, D-71364 Winnenden, Germany angefordert werden.

SYMBOLS



Bitte lesen Sie die Gebrauchsanweisung vor Inbetriebnahme sorgfältig durch.



Beim Arbeiten mit der Maschine stets Schutzbrille tragen.



Vor allen Arbeiten an der Maschine Stecker aus der Steckdose ziehen.



Zubehör - Im Lieferumfang nicht enthalten, empfohlene Ergänzung aus dem Zubehörprogramm.



Werfen Sie Elektrowerkzeuge nicht in den Hausmüll! Gemäss Europäischer Richtlinie 2002/96/EG über Elektro- und Elektronik-Altgeräte und Umsetzung in nationales Recht müssen verbrauchte Elektrowerkzeuge getrennt gesammelt und einer umweltgerechten Wiederverwertung zugeführt werden.

CARACTÉRISTIQUES TECHNIQUES	Polisseuse/Ponceuse	AP 12 E	AS 12 E
Puissance nominale de réception.....	1200 W	1200 W	1200 W
Puissance utile	600 W	600 W	600 W
Vitesse de rotation à vide	900-2500 min ⁻¹	1800-4800 min ⁻¹	
Vitesse de rotation à vide max.	4700 min ⁻¹	9000 min ⁻¹	
Diamètre de meule	150 mm	180 mm	
Filetage de l'arbre.....	M 14	M 14	
Poids sans câble de réseau	2,2 kg	2,5 kg	

Informations sur le bruit et les vibrations

Valeurs de mesure obtenues conformément à la EN 60 745.

Les mesures réelles (A) des niveaux acoustiques de l'appareil sont :

Niveau de pression acoustique (K = 3 dB(A))	82 dB(A)	82 dB(A)
Niveau d'intensité acoustique (K = 3 dB(A))	93 dB(A)	93 dB(A)

Toujours porter une protection acoustique!

Valeurs totales des vibrations (somme vectorielle de trois sens) établies conformément à EN 60745.

Polissage: valeur d'émission d'oscillations a _v	<2,5 m/s ²	- m/s ²
Incertitude K =	1,5 m/s ²	- m/s ²
Rectification avec disque de rectification en matière plastique: valeur d'émission d'oscillations a _v	- m/s ²	2,8 m/s ²
Incertitude K =	- m/s ²	1,5 m/s ²

AVERTISSEMENT

Le niveau vibratoire indiqué dans ces instructions a été mesuré selon un procédé de mesure normalisé dans la norme EN 60745 et peut être utilisé pour comparer des outils électriques entre eux. Il convient aussi à une estimation provisoire de la sollicitation par les vibrations.

Le niveau vibratoire indiqué représente les applications principales de l'outil électrique. Toutefois, si l'outil électrique est utilisé pour d'autres applications, avec des outils rapportés qui diffèrent ou une maintenance insuffisante, il se peut que le niveau vibratoire diverge. Cela peut augmenter nettement la sollicitation par les vibrations sur tout l'intervalle de temps du travail.

Pour une estimation précise de la sollicitation par les vibrations, on devrait également tenir compte des temps pendant lesquels l'appareil n'est pas en marche ou tourne sans être réellement en service. Cela peut réduire nettement la sollicitation par les vibrations sur tout l'intervalle de temps du travail.

Définissez des mesures de sécurité supplémentaires pour protéger l'utilisateur contre l'influence des vibrations, comme par exemple : la maintenance de l'outil électrique et des outils rapportés, le maintien au chaud des mains, l'organisation des déroulements de travail.

⚠ AVERTISSEMENT! Lisez toutes les consignes de sécurité et les instructions, même celles qui se trouvent dans la brochure ci-jointe. Le non-respect des avertissements et instructions indiqués ci après peut entraîner un choc électrique, un incendie et/ou de graves blessures sur les personnes.

Bien garder tous les avertissements et instructions.

INSTRUCTIONS DE SÉCURITÉ PARTICULIÈRES

Avertissements communs pour le ponçage au papier de verre et le polissage:

a) Cet outil électrique est destiné à fonctionner comme lustreuse (uniquement AP 12 E), ponceuse (uniquement AS 12 E). Lire toutes les mises en garde de sécurité, les instructions, les illustrations et les spécifications fournies avec cet outil électrique. Le fait de ne pas suivre toutes les instructions données ci-dessous peut provoquer un choc électrique, un incendie et/ou une blessure grave.

b) Cet outil électrique ne convient pas au meulage à la toile émeri (uniquement AP 12 E), au polissage (uniquement AS 12 E), tronçonnage à la meule et de dégrossissage en travailler avec des brosses. Les cas d'utilisation pour lesquels l'outil électrique n'est pas prévu peuvent présenter des mises en danger et être à l'origine de blessures.

c) Ne pas utiliser d'accessoires non conçus spécifiquement et recommandés par le fabricant d'outils. Le simple fait que l'accessoire puisse être fixé à votre outil électrique ne garantit pas un fonctionnement en toute sécurité.

d) La vitesse assignée de l'accessoire doit être au moins égale à la vitesse maximale indiquée sur l'outil électrique. Les accessoires fonctionnant plus vite que leur vitesse assignée peuvent se rompre et voler en éclat.

e) Le diamètre extérieur et l'épaisseur de votre accessoire doivent se situer dans le cadre des caractéristiques de capacité de votre outil électrique. Les accessoires dimensionnés de façon incorrecte ne peuvent pas être protégés ou commandés de manière appropriée.

f) La taille de mandrin des meules, flasques, patins d'appui ou tout autre accessoire doit s'adapter correctement à l'arbre de l'outil électrique. Les accessoires avec alésages centraux ne correspondant pas aux éléments de montage de l'outil électrique seront en déséquilibre, vibreront excessivement, et pourront provoquer une perte de contrôle.

g) Ne pas utiliser d'accessoire endommagé. Avant chaque utilisation examiner les accessoires comme les patins d'appui pour détecter des traces éventuelles de fissures, de déchirure ou d'usure excessive. Si l'outil électrique ou l'accessoire a subi une chute, examiner les dommages éventuels ou installer un accessoire non endommagé. Après examen et installation d'un accessoire, placez-vous ainsi que les personnes présentes à distance du plan de l'accessoire rotatif et faire marcher l'outil électrique à vitesse maximale à vide pendant 1 min. Les accessoires endommagés seront normalement détruits pendant cette période d'essai.

h) Porter un équipement de protection individuelle. En fonction de l'application, utiliser un écran facial, des lunettes de sécurité ou des verres de sécurité. Le cas échéant, utiliser un masque antipoussières, des protections auditives, des gants et un tablier capables d'arrêter les petits fragments abrasifs ou des pièces à usiner. La protection oculaire doit être capable d'arrêter les débris volants produits par les diverses opérations. Le masque antipoussières ou le respirateur doit être capable de filtrer les particules produites par vos travaux.

L'exposition prolongée aux bruits de forte intensité peut provoquer une perte de l'audition.

i) Maintenir les personnes présentes à une distance de sécurité par rapport à la zone de travail. Toute personne entrant dans la zone de travail doit porter un équipement de protection individuelle. Des fragments de pièce à usiner ou d'un accessoire cassé peuvent être projetés et provoquer des blessures en dehors de la zone immédiate d'opération.

j) Tenir l'outil uniquement par les surfaces de préhension isolantes, pendant les opérations au cours desquelles l'accessoire coupant peut être en contact avec des conducteurs cachés ou avec son propre câble. Le contact de l'accessoire coupant avec un fil « sous tension » peut également mettre « sous tension » les parties métalliques exposées de l'outil électrique et provoquer un choc électrique sur l'opérateur.

k) Placer le câble éloigné de l'accessoire de rotation. Si vous perdez le contrôle, le câble peut être coupé ou subir un accroc et votre main ou votre bras peut être tiré dans l'accessoire de rotation.

l) Ne jamais reposer l'outil électrique avant que l'accessoire n'ait atteint un arrêt complet. L'accessoire de rotation peut agripper la surface et arracher l'outil électrique hors de votre contrôle.

m) Ne pas faire fonctionner l'outil électrique en le portant sur le côté. Un contact accidentel avec l'accessoire de rotation pourrait accrocher vos vêtements et attirer l'accessoire sur vous.

n) Nettoyer régulièrement les orifices d'aération de l'outil électrique. Le ventilateur du moteur attirera la poussière à l'intérieur du boîtier et une accumulation excessive de poudre de métal peut provoquer des dangers électriques.

o) Ne pas faire fonctionner l'outil électrique à proximité de matériaux inflammables. Des étincelles pourraient enflammer ces matériaux.

p) Ne pas utiliser d'accessoires qui nécessitent des réfrigérants fluides. L'utilisation d'eau ou d'autres réfrigérants fluides peut aboutir à une électrocution ou un choc électrique.

Rebonds et mises en garde correspondantes

Le rebond est une réaction soudaine au pincement ou à l'accrochage d'une meule rotative, d'un patin d'appui, d'une brosse ou de tout autre accessoire. Le pincement ou l'accrochage provoque un blocage rapide de l'accessoire en rotation qui, à son tour, contraint l'outil électrique hors de contrôle dans le sens opposé de rotation de l'accessoire au point du grippage.

Par exemple, si une meule abrasive est accrochée ou pincée par la pièce à usiner, le bord de la meule qui entre dans le point de pincement peut creuser la surface du matériau, provoquant des sauts ou l'expulsion de la meule. La meule peut sauter en direction de l'opérateur ou encore en s'en éloignant, selon le sens du mouvement de la meule au point de pincement.

Le rebond résulte d'un mauvais usage de l'outil et/ou de procédures ou de conditions de fonctionnement incorrectes et peut être évité en prenant les précautions appropriées spécifiées ci-dessous.

a) Maintenir fermement l'outil électrique et placer votre corps et vos bras pour vous permettre de résister aux forces de rebond. Toujours utiliser une poignée auxiliaire, le cas échéant, pour une maîtrise maximale du rebond ou de la réaction de couple au cours du démarrage. L'opérateur peut maîtriser les couples de réaction ou les forces de rebond, si les précautions qui s'imposent sont prises.

b) Ne jamais placer votre main à proximité de l'accessoire en rotation. L'accessoire peut effectuer un rebond sur votre main.

c) Ne pas vous placer dans la zone où l'outil électrique se déplacera en cas de rebond. Le rebond pousse l'outil dans le sens opposé au mouvement de la meule au point d'accrochage.

d) Apporter un soin particulier lors de travaux dans les coins, les arêtes vives etc. Éviter les rebondissements et les accrochages de l'accessoire. Les coins, les arêtes vives ou les rebondissements ont tendance à accrocher l'accessoire en rotation et à provoquer une perte de contrôle ou un rebond.

e) Ne pas fixer de chaîne coupante, de lame de sculpture sur bois, de chaîne coupante ni de lame de scie dentée. De telles lames provoquent des rebonds fréquents et des pertes de contrôle.

AS 12 E:

Mises en garde de sécurité spécifiques aux opérations de ponçage

a) Ne pas utiliser de papier abrasif trop surdimensionné pour les disques de ponçage. Suivre les recommandations des fabricants, lors du choix du papier abrasif. Un papier abrasif plus grand s'étendant au-delà du patin de ponçage présente un danger de lacération et peut provoquer un accrochage, une déchirure du disque ou un rebond.

AP 12 E:

Mises en garde de sécurité spécifiques aux opérations de lustrage

a) Ne permettre à aucune partie lâche du bonnet de lustrage ou de ses fils de fixation de tourner librement. Cacher ou tailler tous les fils de fixation lâches. Les fils de fixation lâches et en rotation peuvent s'enchevêtrer sur vos doigts ou s'accrocher sur la pièce à usiner.

Les prises de courant se trouvant à l'extérieur doivent être équipées de disjoncteurs différentiel (FI, RCD, PRCD) conformément aux prescriptions de mise en place de votre installation électrique. Veuillez en tenir compte lors de l'utilisation de notre appareil.

Ne jamais enlever les copeaux ni les éclats lorsque la machine est en marche.

Ne raccorder la machine au réseau que si l'interrupteur est en position arrêt.

Ne jamais intervenir dans la zone dangereuse lorsque la machine est en marche.

Utiliser toujours la poignée supplémentaire.

Arrêter la machine tout de suite lorsqu'il y a des vibrations importantes ou que d'autres défauts surgissent. Contrôler la machine afin d'en trouver les causes.

Toujours utiliser et conserver les meules conformément aux indications du fabricant.

L'usage des métaux génère des étincelles. Veiller à ce que personne ne soit exposé à un danger. En raison du risque d'incendie, aucune matière inflammable ou combustible ne doit se trouver dans la zone de projection des étincelles. Ne pas utiliser d'aspirateur de poussières.

Toujours maintenir la machine de façon à ce que étincelles et poussières soient projetées dans la direction opposée au corps.

L'écrou du flasque doit être serré avant de mettre en marche la machine.

La pièce à travailler doit être fortement serrée lorsque son propre poids ne suffit pas à la maintenir. Ne jamais guider la pièce à travailler à la main vers la meule.

Dans le cas de conditions d'utilisation extrêmes (par exemple, pendant le polissage à la meule des métaux avec le plateau d'appui et les disques de rectification aux fibres vulcanisées), un encrassement important peut se former à

l'intérieur de la meuleuse d'angle. Dans de telles conditions d'utilisation, il est nécessaire pour des raisons de sécurité de procéder à un nettoyage minutieux à l'intérieur pour éliminer les dépôts métalliques et de monter absolument un interrupteur de protection contre les courants de court-circuit en amont. La machine doit nous être expédiée pour une réparation si cet interrupteur de protection se déclenche.

Sur les machines prévues pour les outils abrasifs à orifice fileté, vérifiez que la profondeur du filetage est suffisante pour la longueur de la broche.

UTILISATION CONFORME AUX PRESCRIPTIONS

AP 12 E: La ponceuse peut être utilisée pour le polissage de vernis, de revêtements, de matières synthétiques et autres surfaces planes.

AS 12 E: La machine utilisée pour poncer le bois, les plastiques et le métal.

Comme déjà indiqué, cette machine n'est conçue que pour une utilisation normale.

DECLARATION "CE DE CONFORMITÉ

Nous déclarons sous notre responsabilité que ce produit est en conformité avec les normes ou documents normalisés suivants EN 60745, EN 55014-1, EN 55014-2, EN 61000-3-2, EN 61000-3-3, conforme aux réglementations 2006/42/CE, 2004/108/CE



Winnenden, 2010-01-10

Rainer Kumpf

Rainer Kumpf
Manager Product Development

Autorisé à compiler la documentation technique.

BRANCHEMENT SECTEUR

Raccorder uniquement à un courant électrique monophasé et uniquement à la tension secteur indiquée sur la plaque signalétique. Le raccordement à des prises de courant sans contact de protection est également possible car la classe de protection II est donnée.

ENTRETIEN

Tenir toujours propre les orifices de ventilation de la partie moteur.

N'utiliser que des pièces et accessoires AEG. Pour des pièces dont l'échange n'est pas décrit, s'adresser de préférence aux stations de service après-vente AEG (voir brochure Garantie/Adresses des stations de service après-vente).

Si besoin est, une vue éclatée de l'appareil peut être fournie. S'adresser, en indiquant bien le numéro à dix chiffres porté sur la plaque signalétique, à votre station de service après-vente (voir liste jointe) ou directement à AEG Elektrowerkzeuge, Max-Eyth-Straße 10, D-71364 Winnenden, Germany.

SYMBOLS



Veillez lire avec soin le mode d'emploi avant la mise en service



Toujours porter des lunettes protectrices en travaillant avec la machine.



Avant tous travaux sur la machine extraire la fiche de la prise de courant.



Accessoire - Ces pièces ne font pas partie de la livraison. Il s'agit là de compléments proposés pour votre machine et énumérés dans le catalogue d'accessoires.



Ne pas jeter les appareils électriques dans les ordures ménagères! Conformément à la directive européenne 2002/96/EG relative aux déchets d'équipements électriques ou électroniques (DEEE), et à sa transposition dans la législation nationale, les appareils électriques doivent être collectés à part et être soumis à un recyclage respectueux de l'environnement.

DATI TECNICI

Lucidatrice/Levigatrice

PE 150

/ SE 12-180

Potenza assorbita nominale	1200 W	1200 W
Potenza erogata	600 W	600 W
Numero di giri a vuoto	900-2500 min ⁻¹	1800-4800 min ⁻¹
Max. numero di giri a vuoto	4700 min ⁻¹	9000 min ⁻¹
Ø disco abrasivo	150 mm	180 mm
Passo attacco codolo	M 14	M 14
Peso senza cavo di rete	2,1 kg	2,5 kg

Informazioni sulla rumorosità/sulle vibrazioni

Valori misurati conformemente alla norma EN 60745.

La misurazione A del livello di pressione acustica dell'utensile è di solito di:

Livello di rumorosità (K = 3 dB(A))	82 dB(A)	82 dB(A)
Potenza della rumorosità (K = 3 dB(A))	93 dB(A)	93 dB(A)

Utilizzare le protezioni per l'udito!

Valori totali delle oscillazioni (somma di vettori in tre direzioni) misurati conformemente alla norma EN 60745

Lucidatura: valore di emissione oscillazioni a _w	<2,5 m/s ²	- m/s ²
Incertezza della misura K =	1,5 m/s ²	- m/s ²
Rettificata con disco smerigliatore di plastica: valore di emissione oscillazioni a _w	- m/s ²	2,8 m/s ²
Incertezza della misura K =	- m/s ²	1,5 m/s ²

AVVERTENZA

Il livello di vibrazioni indicato nelle presenti istruzioni è stato misurato in conformità con un procedimento di misurazione codificato nella EN 60745 e può essere utilizzato per un confronto tra attrezzi elettrici. Inoltre si può anche utilizzare per una valutazione preliminare della sollecitazione da vibrazioni.

Il livello di vibrazioni indicato rappresenta le applicazioni principali dell'attrezzo elettrico. Se viceversa si utilizza l'attrezzo elettrico per altri scopi, con accessori differenti o con una manutenzione insufficiente, il livello di vibrazioni può risultare diverso. E questo può aumentare decisamente la sollecitazione da vibrazioni lungo l'intero periodo di lavorazione.

Ai fini di una valutazione precisa della sollecitazione da vibrazioni si dovrebbero tenere presente anche i periodi in cui l'apparecchio rimane spento oppure, anche se acceso, non viene effettivamente utilizzato. Ciò può ridurre notevolmente la sollecitazione da vibrazioni lungo l'intero periodo di lavorazione.

Stabilite misure di sicurezza supplementari per la tutela dell'operatore dall'effetto delle vibrazioni, come ad esempio: manutenzione dell'attrezzo elettrico e degli accessori, riscaldamento delle mani, organizzazione dei processi di lavoro.

AVVERTENZA! E' necessario leggere tutte le indicazioni di sicurezza e le istruzioni, anche quelle contenute nella brochure allegata. In caso di mancato rispetto delle avvertenze di pericolo e delle istruzioni operative si potrà creare il pericolo di scosse elettriche, incendi e/o incidenti gravi.

Conservare tutte le avvertenze di pericolo e le istruzioni operative per ogni esigenza futura.

NORME DI SICUREZZA

Istruzioni di sicurezza generali per lavori di levigatura con carta vetrata e lucidatura:

a) Questo elettroutensile è previsto per essere utilizzato come lucidatrice (solo AP 12 E) e levigatrice per carta a vetro (solo AS 12 E). Attenersi a tutte le avvertenze di pericolo, istruzioni, rappresentazioni e dati che si ricevono insieme all'elettroutensile. In caso di mancata osservanza delle seguenti istruzioni vi è il pericolo di provocare una scossa elettrica, di sviluppare incendi e/o di provocare seri incidenti.

b) Questo attrezzo elettrico non è idoneo per la rettifica con carta vetrata (solo AP 12 E), la lucidatura (solo AS 12 E), rettifica di asportazione e di sgrassatura e al lavoro con spazzole metalliche. Qualsiasi utilizzo non previsto con il presente attrezzo elettrico può causare pericolo e lesioni.

c) Non utilizzare nessun accessorio che la casa costruttrice non abbia esplicitamente previsto e raccomandato per questo elettroutensile. Il semplice fatto che un accessorio possa essere fissato al Vostro elettroutensile non è una garanzia per un impiego sicuro.

d) Il numero di giri ammesso dell'accessorio impiegato deve essere almeno tanto alto quanto il numero massimo di giri riportato sull'elettroutensile. Un accessorio che gira più rapidamente di quanto consentito può rompersi in vari pezzi e venir lanciato intorno.

e) Il diametro esterno e lo spessore dell'accessorio montato devono corrispondere ai dati delle dimensioni

dell'elettroutensile in dotazione. In caso di utilizzo di portautensili e di accessori di dimensioni sbagliate non sarà possibile schermanli oppure controllarli a sufficienza.

f) Dischi abrasivi, flange, platorelli oppure altri portautensili ed accessori devono adattarsi perfettamente al mandrino portamolà dell'elettroutensile in dotazione.

Portautensili ed accessori che non si adattano perfettamente al mandrino portamolà dell'elettroutensile non ruotano in modo uniforme, vibrano molto forte e possono provocare la perdita del controllo.

g) Non utilizzare mai portautensili od accessori danneggiati. Prima di ogni utilizzo controllare i portautensili e gli accessori ed accertarsi che che il platorello non sia soggetto ad incrinature. Se l'elettroutensile oppure l'accessorio impiegato dovesse sfuggire dalla mano e cadere, accertarsi che questo non abbia subito nessun danno oppure utilizzare un accessorio intatto. Una volta controllato e montato il portautensile o accessorio, far funzionare l'elettroutensile per la durata di un minuto con il numero massimo di giri avendo cura di tenersi lontani e di impedire anche ad altri persone presenti di avvicinarsi al portautensili o accessorio in rotazione. Nella maggior parte dei casi i portautensili o accessori danneggiati si rompono nel corso di questo periodo di prova.

h) Indossare abbigliamento di protezione. A seconda dell'applicazione in corso utilizzare una visiera completa, maschera di protezione per gli occhi oppure occhiali di sicurezza. Per quanto necessario, portare maschere per polveri, protezione acustica, quanti di protezione oppure un grembiule speciale in grado di proteggervi da piccole particelle di levigatura o di materiale. Gli occhi dovrebbero essere protetti da corpi estranei espulsi in aria nel corso di diverse applicazioni. La maschera antipolvere e la maschera respiratoria devono essere in grado di filtrare la polvere provocata durante l'applicazione. Esponendosi per lungo tempo ad un rumore troppo forte vi è il pericolo di perdere l'udito.

i) Avere cura di evitare che altre persone possano avvicinarsi alla zona in cui si sta lavorando. Ogni persona che entra nella zona di operazione deve indossare un abbigliamento protettivo personale. Frammenti del pezzo in lavorazione oppure utensili rotti possono volare via oppure provocare incidenti anche al di fuori della zona diretta di lavoro.

j) Quando si eseguono lavori in cui vi è pericolo che l'accessorio impiegato possa arrivare a toccare cavi elettrici nascosti oppure anche il cavo elettrico della macchina stessa, tenere l'elettrotensile afferrandolo sempre alle superfici di impugnatura isolate. Un contatto con un cavo elettrico mette sotto tensione anche le parti in metallo dell'elettrotensile e provoca quindi una scossa elettrica.

k) Tenere il cavo di collegamento elettrico sempre lontano da portautensili o accessori in rotazione. Se si perde il controllo sull'elettrotensile vi è il pericolo di troncatura o di colpire il cavo di collegamento elettrico e la Vostra mano o braccio può arrivare a toccare il portautensile o accessorio in rotazione.

l) Mai poggiare l'elettrotensile prima che il portautensile o l'accessorio impiegato non si sia fermato completamente. L'utensile in rotazione può entrare in contatto con la superficie di appoggio facendoVi perdere il controllo sulla macchina pneumatica.

m) Mai trasportare l'elettrotensile mentre questo dovesse essere ancora in funzione. Attraverso un contatto casuale l'utensile in rotazione potrebbe fare presa sugli indumenti oppure sui capelli dell'operatore e potrebbe arrivare a ferire seriamente il corpo dell'operatore.

n) Pulire regolarmente le feritoie di ventilazione dell'elettrotensile in dotazione. Il ventilatore del motore attira polvere nella carcassa ed una forte raccolta di polvere di metallo può provocare pericoli di origine elettrica.

o) Non utilizzare mai l'elettrotensile nelle vicinanze di materiali infiammabili. Le scintille possono far prendere fuoco questi materiali.

p) Non utilizzare mai accessori che richiedano refrigeranti liquidi. L'utilizzo di acqua o di altri liquidi refrigeranti può provocare una scossa di corrente elettrica.

Contraccolpo e relative avvertenze di pericolo

Un contraccolpo è l'improvvisa reazione in seguito ad agganciamento oppure blocco di accessorio in rotazione come può essere un disco abrasivo, platorello, spazzola metallica ecc.. Agganciandosi oppure bloccandosi il portautensile o accessorio provoca un arresto improvviso della rotazione dello stesso. In questo caso l'operatore non è più in grado di controllare l'elettrotensile ed al punto di blocco si provoca un rimbalzo dello stesso che avviene nella direzione opposta a quella della rotazione del portautensile o dell'accessorio. Se p. es. un disco abrasivo resta agganciato o bloccato nel pezzo in lavorazione, il bordo del disco abrasivo che si abbassa nel pezzo in lavorazione può rimanere impigliato provocando in questo modo una rottura oppure un contraccolpo del disco abrasivo. Il disco abrasivo si avvicina o si allontana dall'operatore a seconda della direzione di rotazione che ha nel momento in cui si blocca. Un contraccolpo è la conseguenza di un utilizzo non appropriato oppure non corretto dell'elettrotensile. Esso può essere evitato soltanto prendendo misure adatte di sicurezza come dalla descrizione che segue.

a) Tenere sempre ben saldo l'elettrotensile e portare il proprio corpo e le proprie braccia in una posizione che Vi permetta di compensare le forze di contraccolpo. Se disponibile, utilizzare sempre l'impugnatura supplementare in modo da poter avere sempre il maggior controllo possibile su forze di contraccolpi oppure momenti di reazione che si sviluppano durante la fase in cui la macchina raggiunge il regime di pieno carico. Prendendo appropriate misure di precauzione l'operatore può essere in grado di tenere sotto controllo le forze di contraccolpo e quelle di reazione a scatti.

b) Mai avvicinare la propria mano alla zona degli utensili in rotazione. Nel corso dell'azione di contraccolpo il portautensile o accessorio potrebbe passare sulla Vostra mano.

c) Evitare di avvicinarsi con il proprio corpo alla zona in cui l'elettrotensile viene mosso in caso di un contraccolpo. Un contraccolpo provoca uno spostamento improvviso dell'elettrotensile che si sviluppa nella direzione opposta a quella della rotazione della mola abrasiva al punto di blocco.

d) Operare con particolare attenzione in prossimità di spigoli, spigoli taglienti ecc.. Avere cura di impedire che portautensili o accessori possano rimbalzare dal pezzo in lavorazione oppure possano rimanervi bloccati. L'utensile in rotazione ha la tendenza a rimanervi bloccato in angoli, spigoli taglienti oppure in caso di rimbalzo. Ciò provoca una perdita del controllo oppure un contraccolpo.

e) Non utilizzare seghe a catena e neppure lame dentellate. Questo tipo di accessori provocano spesso un contraccolpo oppure la perdita del controllo sull'elettrotensile.

AS 12 E:
Avvertenze di pericolo specifiche per lavori di levigatura con carta vetro

a) Non utilizzare mai fogli abrasivi troppo grandi ma attenersi alle indicazioni del rispettivo produttore relative alle dimensioni dei fogli abrasivi. Fogli abrasivi che dovessero sporgere oltre il platorello possono provocare incidenti oppure blocchi, strappi dei fogli abrasivi oppure contraccolpi.

AP 12 E:
Avvertenze di pericolo specifiche per operazioni di lucidatura

a) Evitare assolutamente che parti della cappa lucidatura restino staccate e prestare in modo particolare attenzione alle cordicelle di fissaggio. Raccogliere per bene oppure tagliare le cordicelle di fissaggio ad una lunghezza adatta. Cordicelle di fissaggio che girino con la cappa possono far presa sulle dita dell'operatore oppure rimanere impigliate nel pezzo in lavorazione.

Gli apparecchi mobili usati all'aperto devono essere collegati interponendo un interruttore di sicurezza (FI, RCD, PRCD) per guasti di corrente.

Non rimuovere trucioli o schegge mentre l'utensile è in funzione.

Inserire la spina solo con interruttore su posizione "OFF".

Non entrare nel raggio d'azione dell'utensile mentre è in funzione.

Utilizzare sempre l'impugnatura laterale.

Disinserire immediatamente la macchina in caso che si verificano delle forti oscillazioni oppure se si riscontrano altri difetti. Controllare la macchina per cercare di identificarne le cause.

Utilizzare e conservare le mole abrasive conformemente alle indicazioni della casa costruttrice.

Smerigliando metalli si producono scintille. Attenzione a non mettere in pericolo l'incolumità di persone. Per via del pericolo di incendio, nessun tipo di materiale infiammabile può trovarsi nelle vicinanze (potenziale raggio delle scintille). Non utilizzare aspirapolveri.

Tenere sempre l'utensile in modo tale che le scintille e polveri di molatura volino lontano dal corpo.

Il dado flangiato deve essere serrato prima dell'utilizzo della macchina.

Il pezzo in lavorazione deve essere ben bloccato in posizione o meno che non resti stabile per via del proprio peso. Mai applicare a mano sulla mola il pezzo in lavorazione.

In condizioni di utilizzo estreme (ad es. nella rettifica liscia di metalli con il piatto di appoggio e dischi smerigliatori in fibra vulcanizzata) si può accumulare molta sporcizia all'interno della smerigliatrice angolare. Con simili condizioni di utilizzo, per motivi di sicurezza, è necessaria una pulizia a fondo all'interno per eliminare i depositi di metallo ed è assolutamente indispensabile inserire un interruttore di sicurezza per corrente di guasto a monte. Quando scatta l'interruttore di sicurezza la macchina va spedita alla riparazione.

Per gli utensili previsti per il montaggio con mola con foro filettato, verificare che la filettatura della mola sia sufficientemente lunga da consentire l'inserimento del mandrino.

UTILIZZO CONFORME

AP 12 E: Il lucidatore può essere usato per lucidare vernici, rivestimenti, plastiche o altre superfici lisce.

AS 12 E: La macchina è adatta per trattare superfici piane di legno, plastica e metallo.

Utilizzare il prodotto solo per l'uso per cui è previsto.

DICHIARAZIONE DI CONFORMITÀ CE

Dichiariamo, assumendo la piena responsabilità di tale dichiarazione, che il prodotto è conforme alle seguenti normative e ai relativi documenti: EN 60745, EN 55014-1, EN 55014-2, EN 61000-3-2, EN 61000-3-3, in base alle prescrizioni delle direttive 2006/42/CE, 2004/108/CE

CE

Winnenden, 2010-01-10

Rainer Kumpf
Manager Product Development

Autorizzato alla preparazione della documentazione tecnica

COLLEGAMENTO ALLA RETE

Connettere solo corrente alternata mono fase e solo al sistema di voltaggio indicato sulla piastra. E' possibile anche connettere la presa senza un contatto di messa a terra così come prevede lo schema conforme alla norme di sicurezza di classe II.

MANUTENZIONE

Tener sempre ben pulite le fessure di ventilazione dell'apparecchio.

Utilizzare esclusivamente accessori e pezzi di ricambio AEG. L'installazione di pezzi di ricambio non specificamente prescritti dall'AEG va preferibilmente effettuata dal servizio di assistenza clienti AEG (ved. opuscolo Garanzia/Indirizzi Assistenza tecnica).

In caso di mancanza del disegno esploso, può essere richiesto al seguente indirizzo: AEG Elektrowerkzeuge, Max-Eyth-Straße 10, D-71364 Winnenden, Germany.

SIMBOLI



Leggere attentamente le istruzioni per l'uso prima di mettere in funzione l'elettrotensile.



Durante l'uso dell'apparecchio utilizzare sempre gli occhiali di protezione.



Prima di effettuare qualsiasi lavoro sulla macchina togliere la spina dalla presa di corrente.



Accessorio - Non incluso nella dotazione standard, disponibile a parte come accessorio.



Non gettare le apparecchiature elettriche tra i rifiuti domestici. Secondo la Direttiva Europea 2002/96/CE sui rifiuti di apparecchiature elettriche ed elettroniche e la sua attuazione in conformità alle norme nazionali, le apparecchiature elettriche esauste devono essere accolte separatamente, al fine di essere reimpiegate in modo eco-compatibile.

DATOS TÉCNICOS	Pulidora/Lijadora	AP 12 E	AS 12 E
Potencia de salida nominal.....	1200 W	1200 W	1200 W
Potencia entregada	600 W	600 W	600 W
Velocidad en vacío	900-2500 min ⁻¹	1800-4800 min ⁻¹	1800-4800 min ⁻¹
Máx. velocidad en vacío	4700 min ⁻¹	9000 min ⁻¹	9000 min ⁻¹
Diám. disco de amolado	150 mm	180 mm	180 mm
Rosca de eje de trabajo.....	M 14	M 14	M 14
Peso sin cable	2,2 kg	2,5 kg	2,5 kg

Información sobre ruidos / vibraciones

Determinación de los valores de medición según norma EN 60 745.

El nivel de ruido típico del aparato determinado con un filtro

A corresponde a:

Presión acústica (K = 3 dB(A))..... 82 dB(A)..... 82 dB(A)

Resonancia acústica (K = 3 dB(A))..... 93 dB(A)..... 93 dB(A)

Usar protectores auditivos!

Nivel total de vibraciones (suma vectorial de tres direcciones) determinado según EN 60745.

Pulido: valor emisiones de vibración a_v..... <2,5 m/s²..... - m/s²

Tolerancia K = 1,5 m/s²..... - m/s²

Rectificar con plato de rectificado de plástico: valor emisiones de vibración a_v..... - m/s²..... 2,8 m/s²

Tolerancia K = - m/s²..... 1,5 m/s²

ADVERTENCIA

El nivel vibratorio indicado en estas instrucciones ha sido medido conforme a un método de medición estandarizado en la norma EN 60745, y puede utilizarse para la comparación entre herramientas eléctricas. También es apropiado para una estimación provisional de la carga de vibración.

El nivel vibratorio indicado representa las aplicaciones principales de la herramienta eléctrica. Si, pese a ello, se utiliza la herramienta eléctrica para otras aplicaciones, con útiles adaptables diferentes o con un mantenimiento insuficiente, el nivel vibratorio puede diferir. Esto puede incrementar sensiblemente la carga de vibración durante todo el periodo de trabajo.

Para una estimación exacta de la carga de vibración deberían tenerse en cuenta también los tiempos durante los que el aparato está apagado o, pese a estar en funcionamiento, no está siendo realmente utilizado. Esto puede reducir sustancialmente la carga de vibración durante todo el periodo de trabajo.

Adopte medidas de seguridad adicionales para la protección del operador frente al efecto de las vibraciones, como por ejemplo: mantenimiento de la herramienta eléctrica y de los útiles adaptables, mantener las manos calientes, organización de los procesos de trabajo.

⚠ ADVERTENCIA! Rogamos leer las indicaciones de seguridad y las instrucciones, también las que contiene el folleto adjunto. En caso de no atenderse a las advertencias de peligro e instrucciones siguientes, ello puede ocasionar una descarga eléctrica, un incendio y/o lesión grave.
Guardar todas las advertencias de peligro e instrucciones para futuras consultas.

INSTRUCCIONES DE SEGURIDAD

Advertencias de peligro generales al realizar trabajos lijarse y pulir:

a) Esta herramienta eléctrica ha sido concebida para pulir (sólo AP 12 E) y lijar (sólo AS 12 E). Observe todas las advertencias de peligro, instrucciones, ilustraciones y especificaciones técnicas que se suministran con la herramienta eléctrica. En caso de no atenderse a las instrucciones siguientes, ello puede provocar una electrocución, incendio y/o lesiones serias.

b) Esta herramienta eléctrica no es adecuada para esmerilar con papel de lija (sólo AP 12 E) ni para pulir (sólo AS 12 E), tronzado y rectificado de desbaste y trabajar con cepillo de alambre. El uso de la herramienta para un fin no previsto puede conllevar riesgos y causar heridas.

c) No emplee accesorios diferentes de aquellos que el fabricante haya previsto o recomendado especialmente para esta herramienta eléctrica. El mero hecho de que sea acoplable un accesorio a su herramienta eléctrica no implica que su utilización resulte segura.

d) Las revoluciones admisibles del útil deberán ser como mínimo iguales a las revoluciones máximas indicadas en la herramienta eléctrica. Aquellos accesorios que giren a unas revoluciones mayores a las admisibles pueden llegar a romperse y salir despedidos.

e) El diámetro exterior y el grosor del útil deberán corresponder con las medidas indicadas para su herramienta eléctrica. Los útiles de dimensiones incorrectas no pueden protegerse ni controlarse con suficiente seguridad.

f) Los orificios de los discos amoladores, bridas, platos lijadores u otros útiles deberán alojar exactamente sobre el husillo de su herramienta eléctrica. Los útiles que no ajusten correctamente sobre el husillo de la herramienta eléctrica, al girar descentrados, generan unas vibraciones excesivas y pueden hacerle perder el control sobre el aparato.

g) No use útiles dañados. Antes de cada uso inspeccione el estado de los útiles con el fin de detectar, p. ej. si está agrietado o muy desgastado el plato lijador. Si se le cae la herramienta eléctrica o el útil, inspeccione si han sufrido algún daño o monte otro útil en correctas condiciones. Una vez controlado y montado el útil sítiuse Vd. y las personas circundantes fuera del plano de rotación del útil y deje funcionar la herramienta eléctrica en vacío, a las revoluciones máximas, durante un minuto. Por lo regular, aquellos útiles que estén dañados suelen romperse al realizar esta comprobación.

h) Utilice un equipo de protección personal. Dependiendo del trabajo a realizar use una careta, una protección para los ojos, o unas gafas de protección. Si procede, emplee una mascarilla antipolvo, protectores auditivos, guantes de protección o un mandil especial adecuado para protegerle de los pequeños fragmentos que pudieran salir proyectados al desprenderse del útil o pieza. Las gafas de protección deberán ser indicadas para protegerle de los fragmentos que pudieran salir despedidos al trabajar. La mascarilla antipolvo o respiratoria deberá ser apta para filtrar las partículas producidas al trabajar. La exposición prolongada al ruido puede provocar sordera.

i) Cuide que las personas en las inmediaciones se mantengan a suficiente distancia de la zona de trabajo. Toda persona que acceda a la zona de trabajo deberá utilizar un equipo de protección personal. Podrían ser lesionadas, incluso fuera del área de trabajo inmediato, al salir proyectados fragmentos de la pieza de trabajo o del útil.

j) Únicamente sujete el aparato por las empuñaduras aisladas al realizar trabajos en los que el útil pueda tocar conductores eléctricos ocultos o el propio cable del aparato. El contacto con conductores portadores de tensión puede hacer que las partes metálicas del aparato le provoquen una descarga eléctrica.

k) Mantenga el cable de red alejado del útil en funcionamiento. En caso de que Vd. pierda el control sobre la herramienta eléctrica puede llegar a cortarse o enredarse el cable de red con el útil y lesionarle su mano o brazo.

l) Jamás deposite la herramienta eléctrica antes de que el útil se haya detenido por completo. El útil en funcionamiento puede llegar a tocar la base de apoyo y hacerle perder el control sobre la herramienta eléctrica.

m) No deje funcionar la herramienta eléctrica mientras la transporta. El útil en funcionamiento podría lesionarle al engancharse accidentalmente con su vestimenta.

n) Limpie periódicamente las rejillas de refrigeración de su herramienta eléctrica. El ventilador del motor aspira polvo hacia el interior de la carcasa, por lo que, en caso de una acumulación fuerte de polvo metálico, ello puede provocarle una descarga eléctrica.

o) No utilice la herramienta eléctrica cerca de materiales combustibles. Las chispas producidas al trabajar pueden llegar a incendiar estos materiales.

p) No emplee útiles que requieran ser refrigerados con líquidos. La aplicación de agua u otros refrigerantes líquidos puede comportar una descarga eléctrica.

Causas del rechazo y advertencias al respecto

El rechazo es una reacción brusca que se produce al atascarse o engancharse el útil, como un disco de amolar, plato lijador, cepillo, etc. Al atascarse o engancharse el útil en funcionamiento, éste es frenado bruscamente. Ello puede hacerle perder el control sobre la herramienta eléctrica y hacer que ésta salga impulsada en dirección opuesta al sentido de giro que tenía el útil. En el caso, p. ej., de que un disco amolador se atasque o bloquee en la pieza de trabajo, puede suceder que el canto del útil que penetra en el material se enganche, provocando la rotura del útil o el rechazo del aparato. Según el sentido de giro y la posición del útil en el momento de bloquearse puede que éste resulte despedido hacia, o en sentido opuesto al usuario. El rechazo es ocasionado por la aplicación o manejo incorrecto de la herramienta eléctrica. Es posible evitarlo ateniéndose a las medidas preventivas que a continuación se detallan.

a) Sujete con firmeza la herramienta eléctrica y mantenga su cuerpo y brazos en una posición propicia para resistir las fuerzas de reacción. Si forma parte del aparato, utilice siempre la empuñadura adicional para poder soportar mejor las fuerzas del rechazo, además de los pares de reacción que se presentan en la puesta en marcha. El usuario puede controlar las fuerzas del rechazo y de reacción si toma unas medidas preventivas oportunas.

b) Jamás aproxime su mano al útil en funcionamiento. En caso de un rechazo, el útil podría lesionarle la mano.

c) No se sitúe dentro del área hacia el que se movería la herramienta eléctrica al ser rechazada. Al resultar rechazada, la herramienta eléctrica saldrá despedida desde el punto de bloqueo en dirección opuesta al sentido de giro del útil.

d) Tenga especial precaución al trabajar esquinas, cantos afilados, etc. Evite que el útil de amolar rebote contra la pieza de trabajo o que se atasque. En las esquinas, cantos afilados, o al rebotar, el útil en funcionamiento tiende a atascarse. Ello puede hacerle perder el control o causar un rechazo del útil.

e) No utilice hojas de sierra para madera ni otros útiles dentados. Estos útiles son propensos al rechazo y pueden hacerle perder el control sobre la herramienta eléctrica.

AS 12 E:

Instrucciones de seguridad específicas para trabajos con hojas lijadoras

a) No use hojas lijadoras más grandes que el soporte, ateniéndose para ello a las dimensiones que el fabricante recomienda. Las hojas lijadoras de un diámetro mayor que el plato lijador pueden provocar un accidente, fisurarse, o provocar un rechazo.

AP 12 E:

Instrucciones de seguridad específicas para pulido

a) Evite partes sueltas en la caperuza para pulir, especialmente el cordón de sujeción. Recoja o corte los cabos del cordón de sujeción. Los cabos del cordón pueden engancharse con sus dedos o en la pieza de trabajo.

Conecte siempre la máquina a una red protegida por interruptor diferencial y magnetotérmico (FI, RCD, PRCD), para su seguridad personal, según normas establecidas para instalaciones eléctricas de baja tensión.

Nunca se debe intentar limpiar el polvo o viruta procedente del taladrado con la máquina en funcionamiento.

Enchufar la máquina a la red solamente en posición desconectada.

No manipular en el rodillo ni en las cuchillas con la máquina conectada.

Emplear siempre el asidero adicional.

Desconectar inmediatamente el aparato al presentarse vibraciones fuertes u otras anomalías. Examine la máquina para determinar las posibles causas.

Utilice y guarde siempre los discos de amolar según las indicaciones del fabricante.

Al amolar metales se proyectan chispas. Cuidar de no poner en peligro a personas. Debido al peligro de incendio no deben encontrarse cerca (en el área de alcance de las chispas) materiales inflamables. No utilice extracción de polvo en este caso.

Tenga cuidado para que no le salten chispas ni virutas de la pieza de trabajo.

La tuerca de apriete se debe asegurar antes de comenzar a trabajar con la máquina.

La pieza de trabajo debe fijarse adecuadamente, a no ser que se mantenga bien fija por su propio peso. Jamás aproxime una pieza al disco, sujetándola con la mano.

En caso de condiciones de funcionamiento extremas (p. ej. pulido de metales con el plato soporte y discos abrasivos de fibra vulcanizada) se puede acumular mucha suciedad en el interior de la amoladora angular. En estas condiciones es necesario realizar, por motivos de seguridad, una limpieza profunda de las acumulaciones metálicas en el interior y debe conectarse obligatoriamente un interruptor de protección de corriente diferencial (FI). Si salta el interruptor de protección FI debe enviarse la máquina para su reparación.

En las herramientas que llevan una muela con agujero roscado, cerciórese de que la rosca en la muela es lo suficientemente larga para aceptar la longitud del vástago.

APLICACIÓN DE ACUERDO A LA FINALIDAD

AP 12 E: La pulidora puede utilizarse para pulir lacados, barnices, plásticos y otras superficies

AS 12 E: La máquina está diseñada para lijar madera, plástico y metal.

No utilice este producto para ninguna otra aplicación que no sea su uso normal.

DECLARACION DE CONFORMIDAD CE

Declaramos bajo nuestra sola responsabilidad que este producto está en conformidad con las normas o documentos normalizados siguientes. EN 60745, EN 55014-1, EN 55014-2, EN 61000-3-2, EN 61000-3-3, de acuerdo con las regulaciones 2006/42/CE, 2004/108/CE



Winnenden, 2010-01-10

Rainer Kumpf
Manager Product Development

Autorizado para la redacción de los documentos técnicos.

CONEXIÓN ELÉCTRICA

Conectar solamente a corriente AC monofásica y sólo al voltaje indicado en la placa de características. También es posible la conexión a enchufes sin toma a tierra, dado que es conforme a la Clase de Seguridad II

MANTENIMIENTO

Las ranuras de ventilación de la máquina deben estar despejadas en todo momento.

Solo se deben utilizar accesorios y piezas de repuestos AEG. Piezas cuyo recambio no está descrito en las instrucciones de uso, deben sustituirse en un centro de asistencia técnica AEG (Consulte el folleto Garantía/ Direcciones de Centros de Asistencia Técnica).

En caso necesario, puede solicitar un despiece de la herramienta. Por favor indique el número de impreso de diez dígitos que hay en la etiqueta y pida el despiece a la siguiente dirección: AEG Elektrowerkzeuge, Max-Eyth-Straße 10, D-71364 Winnenden, Germany.

SÍMBOLOS



Lea las instrucciones detenidamente antes de conectar la herramienta



Para trabajar con la máquina, utilizar siempre gafas de protección.



Desconecte siempre el enchufe antes de llevar a cabo cualquier trabajo en la máquina.



Accesorio - No incluido en el equipo estándar, disponible en la gama de accesorios.



¡No deseche los aparatos eléctricos junto con los residuos domésticos! De conformidad con la Directiva Europea 2002/96/CE sobre residuos de aparatos eléctricos y electrónicos y su aplicación de acuerdo con la legislación nacional, las herramientas eléctricas cuya vida útil haya llegado a su fin se deberán recoger por separado y trasladar a una planta de reciclaje que cumpla con las exigencias ecológicas.

CARACTERÍSTICAS TÉCNICAS

Polidora/Lixadora

PE 150

/ SE 12-180

Potência absorvida nominal	1200 W	1200 W
Potência de saída	600 W	600 W
Nº de rotações em vazio	900-2500 min ⁻¹	1800-4800 min ⁻¹
Máx. velocidade em vazio	4700 min ⁻¹	9000 min ⁻¹
Diâmetro do disco	150 mm	180 mm
Rosca do veio de trabalho	M 14	M 14
Peso sem cabo de ligação à rede	2,1 kg	2,5 kg

Informações sobre ruído/vibração

Valores de medida de acordo com EN 60 745.

O nível de ruído avaliado A do aparelho é tipicamente:

Nível da pressão de ruído (K = 3 dB(A))	82 dB(A)	82 dB(A)
Nível da potência de ruído (K = 3 dB(A))	93 dB(A)	93 dB(A)

Use protectores auriculares!

Valores totais de vibração (soma dos vectores das três direcções) determinadas conforme EN 60745.

Polir: Valor de emissão da vibração a _w	<2,5 m/s ²	- m/s ²
Incerteza K =	1,5 m/s ²	- m/s ²
Desbaste com disco de desbaste em plástico: Valor de emissão da vibração a _w	- m/s ²	2,8 m/s ²
Incerteza K =	- m/s ²	1,5 m/s ²

ATENÇÃO

O nível vibratório indicado nestas instruções foi medido em conformidade com um procedimento de medição normalizado na EN 60745 e pode ser utilizado para comparar entre si ferramentas eléctricas. O mesmo é também adequado para avaliar provisoriamente o esforço vibratório.

O nível vibratório indicado representa as principais aplicações da ferramenta eléctrica. Se, no entanto, a ferramenta eléctrica for utilizada para outras aplicações, com outras ferramentas adaptadas ou uma manutenção insuficiente, o nível vibratório poderá divergir. Isto pode aumentar consideravelmente o esforço vibratório ao longo de todo o período do trabalho.

Para uma avaliação exacta do esforço vibratório devem também ser considerados os tempos durante os quais o aparelho está desligado ou está a funcionar, mas não está efectivamente a ser utilizado. Isto pode reduzir consideravelmente o esforço vibratório ao longo de todo o período do trabalho.

Defina medidas de segurança suplementares para proteger o operador do efeito das vibrações, como por exemplo: manutenção da ferramenta eléctrica e das ferramentas adaptadas, manter as mãos quentes, organização das sequências de trabalho.

⚠ ATENÇÃO! Leia todas as instruções de segurança e todas as instruções, também aquelas que constam na brochura juntada. O desrespeito das advertências e instruções apresentadas abaixo pode causar choque eléctrico, incêndio e/ou graves lesões.
Guarde bem todas as advertências e instruções para futura referência.

INSTRUÇÕES DE SEGURANÇA

Indicações de aviso gerais para lixar com lixa de papel e polir:

- Esta ferramenta eléctrica pode ser utilizada como polir (só nos AP 12 E) e lixadeira com lixa de papel (só nos AS 12 E). Observar todas as indicações de aviso, instruções, apresentações e dados fornecidos com a ferramenta eléctrica. O desrespeito das seguintes instruções pode levar a um choque eléctrico, incêndio e/ou graves lesões.
- Esta ferramenta eléctrica não é adequada para lixar com lixa de papel (só nos AP 12 E), para polir (só nos AS 12 E), rectificação de corte e desbaste e escovas de arame. Utilizações, para as quais a máquina não tenha sido prevista, podem causar perigos e ferimentos.
- Não utilizar acessórios, que não foram especialmente previstos e recomendados pelo fabricante para serem utilizados com esta ferramenta eléctrica. O facto de poder fixar o acessório a esta ferramenta eléctrica, não garante uma aplicação segura.
- O número de rotação admissível da ferramenta de trabalho deve ser no mínimo tão alto quanto o máximo número de rotação indicado na ferramenta eléctrica. Acessórios que girem mais rápido do que permitido, podem quebrar e serem atirados para longe.
- O diâmetro exterior e a espessura da ferramenta de trabalho devem corresponder às indicações de medida da sua ferramenta eléctrica. Ferramentas de trabalho

incorrectamente medidas podem não ser suficientemente blindadas nem controladas.

f) Discos abrasivos, flanges, pratos abrasivos ou outros acessórios devem caber exactamente no veio de rectificação da sua ferramenta eléctrica. Ferramentas de trabalho, que não cabem exactamente no veio de rectificação da ferramenta eléctrica, giram irregularmente, vibram fortemente e podem levar à perda de controlo.

g) Não utilizar ferramentas de trabalho danificadas. Antes de cada utilização deverá verificar se por exemplo os se pratos abrasivos apresentam fissuras, se há desgaste ou forte atrição. Se a ferramenta eléctrica ou a ferramenta de trabalho caírem, deverá verificar se sofreram danos, ou trocar por uma ferramenta de trabalho intacta. Após ter controlado e introduzido a ferramenta de trabalho, deverá manter-se, e as pessoas que se encontrem nas proximidades, fora do nível de rotação da ferramenta de trabalho e permitir que a ferramenta eléctrica funcione durante um minuto com o máximo número de rotação. A maioria das ferramentas de trabalho danificadas quebram durante este período de teste.

h) Utilizar um equipamento de protecção pessoal. De acordo com a aplicação, deverá utilizar uma protecção para todo o rosto, protecção para os olhos ou um óculos protector. Se for necessário, deverá utilizar uma máscara contra pó, protecção auricular, luvas de protecção ou um avental especial, para proteger-se de pequenas partículas de amoladura e de material. Os olhos devem ser protegidos contra partículas a voar, produzidas durante as diversas aplicações. A máscara contra pó ou a máscara de respiração deve ser capaz de filtrar o pó produzido durante a respectiva aplicação. Se for sujeito durante longo tempo a fortes ruídos, poderá sofrer a perda da capacidade auditiva.

i) Observe que as outras pessoas mantenham uma distância segura em relação ao seu local de trabalho.

Cada pessoa que entrar na área de trabalho, deverá usar um equipamento de protecção pessoal. Estilhaços da peça a ser trabalhada ou ferramentas de trabalho quebradas podem voar e causar lesões fora da área imediata de trabalho.

j) Ao executar trabalhos durante os quais possam ser atingidos cabos eléctricos ou o próprio cabo de rede, deverá sempre segurar a ferramenta eléctrica pelas superfícies isoladas do punho. O contacto com um cabo sob tensão pode colocar peças de metal da ferramenta eléctrica sob tensão e levar a um choque eléctrico.

k) Manter o cabo de rede afastado de ferramentas de trabalho em rotação. Se perder o controlo sobre a ferramenta eléctrica, é possível que o cabo de rede seja cortado ou enganchado e a sua mão ou braço sejam puxados contra a ferramenta de trabalho em rotação.

l) Jamais depositar a ferramenta eléctrica, antes que a ferramenta de trabalho esteja completamente parada. A ferramenta de trabalho em rotação pode entrar em contacto com a superfície de apoio, provocando uma perda de controlo da ferramenta eléctrica.

m) Não permitir que a ferramenta eléctrica funcione enquanto estiver a transportá-la. A sua roupa pode ser agarrada devido a um contacto accidental com a ferramenta de trabalho em rotação, de modo que a ferramenta de trabalho possa ferir o seu corpo.

n) Limpar regularmente as aberturas de ventilação da sua ferramenta eléctrica. A ventoinha do motor puxa pó para dentro da carcaça, e uma grande quantidade de pó de metal pode causar perigos eléctricos.

o) Não utilizar a ferramenta eléctrica perto de materiais inflamáveis. Faíscas podem incendiar estes materiais.

p) Não utilizar ferramentas de trabalho que necessitem agentes de refrigeração líquidos. A utilização de água ou de outros agentes de refrigeração líquidos pode provocar um choque eléctrico.

Contra-golpe e respectivas advertências

Contra-golpe é uma repentina reacção devido a uma ferramenta de trabalho travada ou bloqueada, como por exemplo um disco abrasivo, um prato abrasivo, uma escova de arame etc. Um travamento ou um bloqueio levam a uma parada abrupta da ferramenta de trabalho em rotação. Desta maneira, uma ferramenta eléctrica descontrolada pode ser acelerada no local de bloqueio, sendo forçada no sentido contrário da rotação da ferramenta de trabalho. Se por exemplo um disco abrasivo travar ou bloquear numa peça a ser trabalhada, o canto do disco abrasivo pode mergulhar na peça a ser trabalhada e encravar-se, quebrando o disco abrasivo ou causando um contra-golpe. O disco abrasivo se movimenta então no sentido do operador ou para longe deste, dependendo do sentido de rotação do disco no local do bloqueio. Um contra-golpe é a consequência de uma utilização incorrecta ou indevida da ferramenta eléctrica. Ele pode ser evitado por apropriadas medidas de precaução como descrito a seguir.

a) Segurar firmemente a ferramenta eléctrica e posicionar o seu corpo e os braços de modo que possa resistir às forças de um contra-golpe. Sempre utilizar o punho adicional, se existente, para assegurar o máximo controlo possível sobre as forças de um contra-golpe ou sobre momentos de reacção durante o arranque. O operador pode controlar as forças de contra-golpe e as forças de reacção através de medidas de precaução apropriadas.

b) Jamais permita que as suas mãos se encontrem perto de ferramentas de trabalho em rotação. No caso de um contra-golpe a ferramenta de trabalho poderá passar pela sua mão.

c) Evite que o seu corpo se encontre na área, na qual a ferramenta eléctrica possa ser movimentada no caso de um contra-golpe. O contra-golpe força a ferramenta

eléctrica no sentido contrário ao movimento do disco abrasivo no local do bloqueio.

d) Trabalhar com especial cuidado na área ao redor de esquinas, cantos afiados etc. Evite que ferramentas de trabalho sejam ricocheteadas e travadas pela peça a ser trabalhada. A ferramenta de trabalho em rotação tende a travar em esquinas, em cantos afiados ou se for ricocheteada. Isto causa uma perda de controlo ou um contra-golpe.

e) Não utilizar lâminas de serra de correias nem dentadas. Estas ferramentas de trabalho causam frequentemente um contra-golpe ou a perda de controlo sobre a ferramenta eléctrica.

AS 12 E: Advertências especiais de segurança específicas para lixar com lixa de papel

a) Não utilizar lixas de papel demasiado grandes, mas sempre seguir as indicações do fabricante sobre o tamanho correcto das lixas de papel. Lixas de papel, que sobressaem dos cantos do prato abrasivo, podem causar lesões, assim como bloquear e rasgar as lixas de papel ou levar a um contra-golpe.

AP 12 E: Indicações especiais de aviso para polir

a) Não permitir que hajam partes soltas da boina de polimento, principalmente cordões de fixação. Os cordões de fixação devem ser bem arrumados ou cortados. Cordões de fixação soltos e em rotação podem agarrar os seus dedos ou prender-se na peça a ser trabalhada.

Aparelhos não estacionários, utilizados ao ar livre, devem ser protegidos por um disjuntor de corrente de defeito (FI, RCD, PRCD).

Não remover aparas ou lascas enquanto a máquina trabalha.

Ao ligar à rede, a máquina deve estar desligada.

Não introduza as mãos na área perigosa, estando a máquina em funcionamento.

Utilizar sempre o punho lateral.

Desligar imediatamente o aparelho, se ocorrerem grandes oscilações ou se forem observadas outras avarias. Controlar a máquina para determinar a causa.

Sempre utilizar e guardar os discos abrasivos, de acordo com as indicações do fabricante.

Ao lixar metais, voam faíscas. Observe que ninguém seja posto em perigo. Devido ao perigo de incêndio não devem encontrar-se materiais inflamáveis nas proximidades (área de voo de faíscas). Não utilize sistema de extracção de poeiras.

Tome atenção que nem as faíscas nem as poeiras da lixagem geradas na peça de trabalho devem entrar em contacto consigo.

A porca de ajuste deve ser apertada antes de iniciar o trabalho com a máquina.

A peça a ser trabalhada deve ser fixa, caso não esteja firme devido ao seu peso próprio. Jamais conduzir a peça a ser trabalhada em direcção do disco com as mãos.

Em caso de condições extremas de utilização (por ex., ao polir metais com o prato de apoio e rebolos de fibra vulcanizada) pode formar-se uma forte sujidade no interior da lixadora de detalhes. Por motivos de segurança, quando tais condições de utilização se verificarem, é necessário limpar o interior de deposições metálicas e ligar em série um disjuntor de corrente de falha (FI). Depois da reacção do disjuntor-FI, a máquina tem de ser enviada para reparação.

Para as ferramentas a serem montadas com a roda de orifício roscado, certifique-se de que a rosca na roda é suficientemente longa para receber o fuso em todo o seu comprimento.

Para trabalhos de corte deve utilizar-se uma cobertura de protecção fechada, disponível no programa de acessórios.

UTILIZAÇÃO AUTORIZADA

AP 12 E: A polidora pode ser usada para polir pinturas, revestimentos, plásticos e outras superfícies lisas.

AS 12 E: A máquina pode ser usada para lixar madeira, plásticos ou metal.

Não use este produto de outra maneira sem ser a normal para o qual foi concebido.

DECLARAÇÃO DE CONFORMIDADE CE

Declaramos, sob nossa exclusiva responsabilidade, que este produto cumpre as seguintes normas ou documentos normativos: EN 60745, EN 55014-1, EN 55014-2, EN 61000-3-2, EN 61000-3-3, conforme as disposições das directivas 2006/42/CE, 2004/108/CE



Winnenden, 2010-01-10

Rainer Kumpf
Manager Product Development

Autorizado a reunir a documentação técnica.

LIGAÇÃO À REDE

Só conectar à corrente alternada monofásica e só à tensão de rede indicada na placa de potência. A conexão às tomadas de rede sem contacto de segurança também é possível, pois trata-se de uma construção da classe de protecção II.

MANUTENÇÃO

Através dos rasgos de ventilação podem soprar-se com ar comprimido os depósitos de poeira no motor.

Utilizar unicamente acessórios e peças sobresselentes da AEG. Sempre que a substituição de um componente não tenha sido descrita nas instruções, será de toda a conveniência mandar executar esse trabalho a um Serviço de Assistência AEG (veja o folheto Garantia/Endereços de Serviços de Assistência).

A pedido e mediante indicação da referência de dez números que consta da chapa de características da máquina, pode requerer-se um desenho explosivo da ferramenta eléctrica a: AEG Elektrowerkzeuge, Max-Eyth-Straße 10, D-71364 Winnenden, Germany.

SYMBOLS



Leia atentamente o manual de instruções antes de colocar a máquina em funcionamento.



Usar sempre óculos de protecção ao trabalhar com a máquina.



Antes de efectuar qualquer intervenção na máquina, tirar a ficha da tomada.



Acessório - Não incluído no equipamento normal, disponível como acessório.



Não deite ferramentas eléctricas no lixo doméstico! De acordo com a directiva europeia 2002/96/CE sobre ferramentas eléctricas e electrónicas usadas e a transposição para as leis nacionais, as ferramentas eléctricas usadas devem ser recolhidas em separado e encaminhadas a uma instalação de reciclagem dos materiais ecológica.

TECHNISCHE GEGEVENS	Polijstmachine/Schuurmachine	AP 12 E	AS 12 E
Nominaal afgegeven vermogen.....		1200 W	1200 W
Afgegeven vermogen		600 W	600 W
Onbelast toerental		900-2500 min ⁻¹	1800-4800 min ⁻¹
Min. Onbelast toerental		4700 min ⁻¹	9000 min ⁻¹
Slijpschijf-Ø		150 mm	180 mm
Asaansluiting		M 14	M 14
Gewicht, zonder snoer.....		2,2 kg	2,5 kg

Geuids-/trillingsinformatie

Meetwaarden vastgesteld volgens EN 60 745.

Het kenmerkende A-gewogen geluidsniveau van de machine bedraagt:

Geluidsdruk-niveau (K = 3 dB(A))	82 dB(A)	82 dB(A)
Geluidsvermogen-niveau (K = 3 dB(A))	93 dB(A)	93 dB(A)

Draag oorbeschermers!

Totale trillingswaarden (vectorsom van drie richtingen) bepaald volgens EN 60745.

Polijsten: trillingsemisiewaarde a _w	<2,5 m/s ²	- m/s ²
Onzekerheid K =	1,5 m/s ²	- m/s ²
Slijpen met kunststof slijpschijf: trillingsemisiewaarde a _w	- m/s ²	2,8 m/s ²
Onzekerheid K =	- m/s ²	1,5 m/s ²

WAARSCHUWING

De in deze aanwijzingen vermelde trillingsdruk is gemeten volgens een in EN 60745 genoemde meetmethode en kan worden gebruikt voor de onderlinge vergelijking van apparaten. Hij is ook geschikt voor een voorlopige inschatting van de trillingsbelasting.

De aangegeven trillingsdruk geldt voor de meest gebruikelijke toepassingen van het elektrische apparaat. Wanneer het elektrische gereedschap echter voor andere doeleinden, met andere dan de voorgeschreven hulpstukken gebruikt of niet naar behoren onderhouden wordt, kan de trillingsdruk afwijken. Dit kan de waarde van de trillingsdruk over de hele werkperiode aanzienlijk verhogen.

Voor een nauwkeurige inschatting van de trillingsdruk moeten ook de tijden in aanmerking worden genomen dat het apparaat uitgeschakeld is of weliswaar loopt, maar niet werkelijk in gebruik is. Dit kan de waarde van de trillingsdruk over de hele werkperiode aanzienlijk verminderen.

Bepaal extra veiligheidsmaatregelen ter bescherming van de bediener tegen de inwerking van trillingen, bijvoorbeeld: onderhouden van elektrische gereedschappen en apparaten, warmhouden van de handen, organisatie van de werkprocessen.

WAARSCHUWING! Lees alle veiligheidsinstructies en aanwijzingen door - ook die in de bijgeleverde brochure. Als de waarschuwingen en voorschriften niet worden opgevolgd, kan dit een elektrische schok, brand of ernstig letsel tot gevolg hebben. **Bewaar alle waarschuwingen en voorschriften voor toekomstig gebruik.**

VEILIGHEIDSADVIEZEN

Algemene waarschuwingen voor schuren en polijsten:

a) Dit elektrische gereedschap is bestemd voor gebruik als polijstmachine (alleen bij de AP 12 E) en schuurmachine (alleen bij de AS 12 E). Neem alle waarschuwingen, aanwijzingen, afbeeldingen en gegevens die u bij het elektrische gereedschap ontvangt in acht. Als u de volgende aanwijzingen niet in acht neemt, kunnen een elektrische schok, brand en/of ernstig letsel het gevolg zijn.

b) Dit elektrische gereedschap is niet geschikt voor het schuren met schuurpapier (alleen bij de AP 12 E), voor het polijsten (alleen bij de AS 12 E), doorslijpen en voorbewerken en werkzaamheden met draadborstels. Ondoelmatig gebruik van dit elektrische gereedschap kan leiden tot gevaren en persoonlijk letsel.

c) Gebruik uitsluitend toebehoren dat door de fabrikant speciaal voor dit elektrische gereedschap is voorzien en geadviseerd. Het feit dat u het toebehoren aan het elektrische gereedschap kunt bevestigen, waarborgt nog geen veilig gebruik.

d) Het toegestane toerental van het inzetgereedschap moet minstens even hoog zijn als het maximale toerental dat op het elektrische gereedschap vermeld staat. Toebehoren dat sneller draait dan toegestaan, kan breken en wegvliegen.

e) De buitendiameter en de dikte van het inzetgereedschap moeten overeenkomen met de

maatgegevens van het elektrische gereedschap.

Inzetgereedschappen met onjuiste afmetingen kunnen niet voldoende afgeschermd of gecontroleerd worden.

f) Slijpschijven, flenzen, steunschijven en ander toebehoren moeten nauwkeurig op de uitgaande as van het elektrische gereedschap passen.

Inzetgereedschappen die niet nauwkeurig op de uitgaande as van het elektrische gereedschap passen, draaien ongelijkmatig, trillen sterk en kunnen tot het verlies van de controle leiden.

g) Gebruik geen beschadigde inzetgereedschappen. Controleer voor het gebruik altijd inzetgereedschappen zoals steunschijven op scheuren of sterke slijtage. Als het elektrische gereedschap of het inzetgereedschap valt, dient u te controleren of het beschadigd is, of gebruik een onbeschadigd inzetgereedschap. Als u het inzetgereedschap hebt gecontroleerd en ingezet, laat u het elektrische gereedschap een minuut lang met het maximale toerental lopen. Daarbij dient u en dienen andere personen uit de buurt van het ronddraaiende inzetgereedschap te blijven. Beschadigde inzetgereedschappen breken meestal gedurende deze testtijd.

h) Draag persoonlijke beschermende uitrusting. Gebruik afhankelijk van de toepassing een volledige gezichtsbescherming, oogbescherming of veiligheidsbril. Draag voor zover van toepassing een stofmasker, een gehoorbescherming, werkhandschoenen of een speciaal schort dat kleine slijp- en materiaaldeeltjes tegenhoudt. Uw ogen moeten worden beschermd tegen wegvliegende deeltjes die bij verschillende toepassingen ontstaan. Een stof- of adembeschermingsmasker moet het bij de toepassing ontstaande stof filteren. Als u lang wordt blootgesteld aan luid lawaai, kan uw gehoor worden beschadigd.

i) Let erop dat andere personen zich op een veilige afstand bevinden van de plaats waar u werkt. Iedereen

die de werkomgeving betreedt, moet persoonlijk beschermende uitrusting dragen. Brokstukken van het werkstuk of gebroken inzetgereedschappen kunnen wegvliegen en verwondingen veroorzaken, ook buiten de directe werkomgeving.

j) Houd het elektrische gereedschap alleen vast aan de geïsoleerde greepvlakken als u werkzaamheden uitvoert waarbij het inzetgereedschap verborgen stroomleidingen of de eigen netkabel kan raken. Contact met een onder spanning staande leiding zet ook de metalen delen van het elektrische gereedschap onder spanning en leidt tot een elektrische schok.

k) Houd de stroomkabel uit de buurt van draaiende inzetgereedschappen. Als u de controle over het elektrische gereedschap verliest, kan de stroomkabel worden doorgesneden of meegenomen en uw hand of arm kan in het ronddraaiende inzetgereedschap terecht komen.

l) Leg het elektrische gereedschap nooit neer voordat het inzetgereedschap volledig tot stilstand is gekomen. Het draaiende inzetgereedschap kan in contact komen met het oppervlak, waardoor u de controle over het elektrische gereedschap kunt verliezen.

m) Laat het elektrische gereedschap niet lopen terwijl u het draagt. Uw kleding kan door toevallig contact met het draaiende inzetgereedschap worden meegenomen en het inzetgereedschap kan zich in uw lichaam boren.

n) Reinig regelmatig de ventilatieopeningen van het elektrische gereedschap. De motorventilator trekt stof in het huis en een sterke ophoping van metaalstof kan elektrische gevaren veroorzaken.

o) Gebruik het elektrische gereedschap niet in de buurt van brandbare materialen. Vonken kunnen deze materialen ontsteken.

p) Gebruik geen inzetgereedschappen waarvoor vloeibare koelmiddelen vereist zijn. Het gebruik van water of andere vloeibare koelmiddelen kan tot een elektrische schok leiden.

Terugslag en bijbehorende waarschuwingen

Terugslag is de plotselinge reactie als gevolg van een vasthakend of geblokkeerd draaiend inzetgereedschap, zoals een slijpschijf, steunschijf, draadborstel, enz. Vasthaken of blokkeren leidt tot abrupte stilstand van het ronddraaiende inzetgereedschap. Daardoor wordt een ongecontroleerd elektrisch gereedschap tegen de draairichting van het inzetgereedschap versneld op de plaats van de blokkering.

Als bijvoorbeeld een slijpschijf in het werkstuk vasthaakt of blokkeert, kan de rand van de slijpschijf die in het werkstuk invalt, zich vastgrijpen. Daardoor kan de slijpschijf uitbreken of een terugslag veroorzaken. De slijpschijf beweegt zich vervolgens naar de bediener toe of van de bediener weg, afhankelijk van de draairichting van de schijf op de plaats van de blokkering.

Een terugslag is het gevolg van het verkeerd gebruik of onjuiste gebruiksomstandigheden van het elektrische gereedschap. Terugslag kan worden voorkomen door geschikte voorzorgsmaatregelen, zoals hieronder beschreven.

a) Houd het elektrische gereedschap goed vast en breng uw lichaam en uw armen in een positie waarin u de terugslagkrachten kunt opvangen. Gebruik altijd de extra handgreep, indien aanwezig, om de grootst mogelijke controle te hebben over terugslagkrachten of reactiemomenten bij het op toeren komen. De bediener kan door geschikte voorzorgsmaatregelen de terugslag- en reactiekrachten beheersen.

b) Breng uw hand nooit in de buurt van draaiende inzetgereedschappen. Het inzetgereedschap kan bij de terugslag over uw hand bewegen.

c) Mijd met uw lichaam het gebied waarheen het elektrische gereedschap bij een terugslag wordt bewogen. De terugslag drijft het elektrische gereedschap in

de richting die tegengesteld is aan de beweging van de slijpschijf op de plaats van de blokkering.

d) Werk bijzonder voorzichtig in de buurt van hoeken, scherpe randen, enz. Voorkom dat inzetgereedschappen van het werkstuk terugspringen en vastklemmen. Het ronddraaiende inzetgereedschap neigt er bij hoeken, scherpe randen of wanneer het terugspringt toe om zich vast te klemmen. Dit veroorzaakt een controleverlies of terugslag.

e) Gebruik geen kettingblad of getand zaagblad. Zulke inzetgereedschappen veroorzaken vaak een terugslag of het verlies van de controle over het elektrische gereedschap.

AS 12 E: Bijzondere waarschuwingen voor schuurwerkzaamheden

a) Gebruik geen schuurbladen met te grote afmetingen, maar houd u aan de voorschriften van de fabrikant voor de maten van schuurbladen. Schuurbladen die over de rand van de steunschijf uitsteken, kunnen verwondingen veroorzaken en kunnen tot blokkeren, scheuren van de schuurbladen of terugslag leiden.

AP 12 E: Bijzondere waarschuwingen voor polijstwerkzaamheden

a) De polijstkap mag geen losse delen hebben, in het bijzonder geen losse bevestigingsnoeren. Maak de bevestigingsnoeren vast of kort deze in. Losse, meedraaiende bevestigingsnoeren kunnen uw vingers meenemen of in het werkstuk vasthaken.

Verplaatsbaar gereedschap moet bij het gebruik buiten aan een aardlekschakelaar (FI,RCD,PRCD) aangesloten worden.

Spanen of splinters mogen bij draaiende machine niet worden verwijderd.

Machine alleen uitgeschakeld aan het net aansluiten.

Niet aan de draaiende delen komen.

Altijd de zijhandgreep gebruiken.

Machine onmiddellijk controleren als sterke trillingen optreden of andere gebreken worden vastgesteld. Controleer de machine om de oorzaak vast te stellen.

Slijpschijven altijd volgens de voorschriften van de fabrikant gebruiken en bewaren.

Bij het schuren van metalen ontstaan vonken. Er op letten dat er geen personen in gevaar worden gebracht. In verband met het brandgevaar mogen zich geen brandbare materialen in de buurt (gebied waar de vonken vallen) bevinden. Geen stofafzuiging gebruiken

Machine altijd vo vasthouden dat vonken of slijpstof van het lichaam zijn af gericht.

De flensmoer moet vóór de ingebruikname van de machine aangetrokken zijn.

Het te bewerken werkstuk moet vast worden gespannen als het niet door het eigen gewicht stabiel ligt. Nooit het werkstuk met de hand tegen de schijf houden.

Bij extreme gebruiksvoorwaarden (bijv. gladlijpen van metaal met de steun en de vulkaanfiber-slijpschijven) kan in het inwendige van de haakse slijper ernstige verontreiniging ontstaan. Bij dergelijke werkzaamheden is om veiligheidsredenen een grondige reiniging van de binnenzijde (verwijdering van metaalslijpsel) en tevens de voorschakeling van een lekstroomschakelaar (FI) vereist. Na het aanspreken van de lekstroomschakelaar moet de machine ter reparatie worden opgestuurd.

Bij gebruik van gereedschappen die bedoeld zijn voor wielen met schroefgaten, dient men te controleren dat de schroefdraad in het wiel lang

VOORGESCHREVEN GEBRUIK VAN HET SYSTEEM

AP 12 E: De polijstmachine kan worden gebruikt voor het polijsten van lakken, coatings, kunststoffen en andere gladde oppervlakken.

AS 12 E: De machine is geschikt voor het vlakschuren van hout, kunststof en metaal.

Dit apparaat uitsluitend gebruiken voor normaal gebruik, zoals aangegeven.

EC - VERKLARING VAN OVEREENSTEMMING

Wij verklaren dat dit produkt voldoet aan de volgende normen of normatieve documenten: EN 60745, EN 55014-1, EN 55014-2, EN 61000-3-2, EN 61000-3-3, overeenkomstig de bepalingen van de richtlijnen 2006/42/EG, 2004/108/EG



Winnenden, 2010-01-10

Rainer Kumpf
Manager Product Development

Gemachtigd voor samenstelling van de technische documenten

NETAANSLUITING

Uitsluitend op éénfase-wisselstroom en uitsluitend op de op het typeplaatje aangegeven netspanning aansluiten. Aansluiting is ook mogelijk op een stekerdoos zonder aardcontact mogelijk, omdat het is ontworpen volgens veiligheidsklasse II.

ONDERHOUD

Altijd de luchtspleten van de machine schoonhouden.

Alleen AEG toebehoren en onderdelen gebruiken. Onderdelen welke niet vermeld worden, kunnen het beste door de AEG servicedienst verwisseld worden (zie Serviceadressen).

Onder vermelding van het tiencijferige nummer op het machineplaatje is desgewenst een doorsnedetekening van de machine verkrijgbaar bij: AEG Elektrowerkzeuge, Max-Eyth-Straße 10, D-71364 Winnenden, Germany.

ELEKTRONIC

De elektronica regelt het toerental bij toenemende belasting na.

Bij langere overbelasting schakelt de elektronica op gereeduCERd toerental. De machine loopt langzaam door voor het koelen van de motor. Na uit- en weer inschakelen kunt u binnen het nominale belastingsbereik gewoon verder werken met de machine.

SYMBOLEN



Graag instructies zorgvuldig doorlezen vóórdat u de machine in gebruik neemt.



Bij het werken met de machine altijd een veiligheidsbril dragen.



Voor alle werkzaamheden aan de machine de stekker uit de kontaktdoos trekken.



Toebehoren - Wordt niet meegeleverd. Is apart leverbaar. Zie hiervoor het toebehorenprogramma.



Geef elektrisch gereedschap niet met het huisvuil mee! Volgens de Europese richtlijn 2002/96/EG inzake oude elektrische en elektronische apparaten en de toepassing daarvan binnen de nationale wetgeving, dient gebruikt elektrisch gereedschap gescheiden te worden ingezameld en te worden afgevoerd naar een recycle bedrijf dat voldoet aan de geldende milieu-eisen.

TEKNISCHE DATA

Poleremaskine/Slibemaskine

PE 150

/ SE 12-180

Nominel optagen effekt.....	1200 W	1200 W
Afgiven effekt.....	600 W	600 W
Omdreiningstal, ubelastet.....	900-2500 min ⁻¹	1800-4800 min ⁻¹
Maks.omdreiningstal, ubelastet.....	4700 min ⁻¹	9000 min ⁻¹
Slibeskive-Ø.....	150 mm	180 mm
Spindelgevind.....	M 14	M 14
Vægt uden netledning.....	2,1 kg	2,5 kg

Støj/Vibrationsinformation

Måleværdier beregnes iht. EN 60745.

Værktøjets A-vurderede støjniveau er typisk:

Lydtrykniveau (K = 3 dB(A)).....	82 dB(A)	82 dB(A)
Lydeffekt niveau (K = 3 dB(A)).....	93 dB(A)	93 dB(A)

Brug høreværn!

Samlede vibrationsværdier (værdisum for tre retninger) beregnet iht. EN 60745.

Polering: Svingningsemissionstal a _w	<2,5 m/s ²	- m/s ²
Usikkerhed K =	1,5 m/s ²	- m/s ²
Slibning med tallerkenslibeskive af kunststof: Svingningsemissionstal a _w	- m/s ²	2,8 m/s ²
Usikkerhed K =	- m/s ²	1,5 m/s ²

ADVARSEL

Svingningsniveauet, som er angivet i disse anvisninger, er målt i henhold til standardiseret måleprocedure ifølge EN 60745 og kan anvendes til indbyrdes sammenligning mellem el-værktøjer. Svingningsniveauet er ligeledes egnet som foreløbigt skøn over svingningsbelastningen.

Det angivne svingningsniveau er baseret på el-værktøjets primære anvendelsesformål. Hvis el-værktøjet benyttes til andre formål, med andet indsatsværktøj eller ikke vedligeholdes tilstrækkeligt, kan svingningsniveauet afvige. Dette kan øge svingningsbelastningen over den samlede arbejdsperiode betydeligt.

For en nøjagtig vurdering af svingningsbelastningen skal der også tages højde for de tidsperioder, hvor apparatet er slukket, eller hvor apparatet kører, men uden at være i anvendelse. Dette kan reducere svingningsbelastningen over den samlede arbejdsperiode betydeligt.

Supplerende sikkerhedsforanstaltninger til beskyttelse af brugeren mod påvirkninger fra svingninger skal iværksættes, f.eks.: Vedligeholdelse af el-værktøj og indsatsværktøj, varmholdelse af hænder, organisering af arbejdsprocesser.

⚠ ADVARSEL! Læs alle sikkerhedsanvisninger og øvrige vejledninger, også i den vedlagte brochure. I tilfælde af manglende overholdelse af advarselshenvisningerne og instrukserne er der risiko for elektrisk stød, brand og/eller alvorlige kvæstelser. Opbevar alle advarselshenvisninger og instrukser til senere brug.

SIKKERHEDSHENVISNINGER

Følg alle advarselshenvisninger til sandpapirslibning og polering:

a) Dette elværktøj kan anvendes som poleringsmaskine (kun på AP 12 E) og sandpapirsliber (kun på AS 12 E). Læs og overhold alle advarsler, instruktioner, illustrationer og data, som du modtager i forbindelse med elværktøjet. Overholder du ikke følgende instruktioner, kan du få elektrisk stød, der kan opstå brand og/eller du kan blive kvæstet alvorligt.

b) Dette el-værktøj er ikke egnet til slibning med sandpapir (kun på AP 12 E), polering (kun på AS 12 E), skære- og skrubslibning og trådbørstning. Anvendes el-værktøjet til formål, det ikke er beregnet til, kan der opstå farlige situationer, som kan medføre kvæstelser.

c) Anvend kun tilbehør, hvis det er beregnet til dette el-værktøj og anbefalet af fabrikanten. En mulig fastgørelse af tilbehøret til el-værktøjet sikrer ikke en sikker anvendelse.

d) Den tilladte hastighed for indsatsværktøjet skal mindst være så høj som den max. hastighed, der er angivet på el-værktøjet. Tilbehør, der drejer hurtigere end tilladt, kan blive ødelagt eller flyve omkring.

e) Indsatsværktøjets udvendige diameter og tykkelse skal svare til målene på dit el-værktøj. Forkert målt indsatsværktøj kan ikke afskærmes eller kontrolleres tilstrækkeligt.

f) Slibeskiver, flanger, slibebagskiver eller andet tilbehør skal passe nøjagtigt til slibespindlen på dit el-værktøj. Indsatsværktøj, der ikke passer nøjagtigt på el-værktøjets slibespindel, drejer ujævnt, vibrerer meget stærkt og kan medføre, at man taber kontrollen.

g) Brug ikke el-værktøjet, hvis det er beskadiget. Kontrollér altid før slibebagskiver for revner, slid eller stærkt slid. Tabes el-værktøjet eller indsatsværktøjet på jorden, skal du kontrollere, om det er beskadiget; anvend evt. et ubeskadiget indsatsværktøj. Når indsatsværktøjet er kontrolleret og indsat, skal du holde dig selv og personer, der befinder sig i nærheden, uden for det niveau, hvor indsatsværktøjet roterer, og lad el-værktøjet køre i et minut ved højeste hastighed. Beskadiget indsatsværktøj brækker for det meste i denne testtid.

h) Brug personligt beskyttelsesudstyr. Brug helmaske til ansigt, øjenværn eller beskyttelsesbriller, afhængigt af det udførte arbejde. Brug afhængigt af arbejdets art støvmaske, høreværn, beskyttelseshandsker eller specialforklæde, der beskytter dig mod små slibe- og materialepartikler. Øjenene skal beskyttes mod fremmede genstande, der flyver rundt i luften og som opstår i forbindelse med forskelligt arbejde. Støv- eller åndedrætsmaske skal filtrere det støv, der opstår under arbejdet. Udsættes du for høj støj i længere tid, kan du lide høretab.

i) Sørg for tilstrækkelig afstand til andre personer under arbejdet. Enhver, der betræder arbejdsområdet, skal bruge personligt beskyttelsesudstyr. Brudstykker fra emnet eller brækket indsatsværktøj kan flyve væk og føre til kvæstelser også uden for det direkte arbejdsområde.

j) Hold altid kun el-værktøjet i de isolerede gribeblader, når du udfører arbejde, hvor indsatsværktøjet kan ramme bøjede strømledninger eller værktøjets eget kabel. Kontakt med en spændingsførende ledning sætter

også metaldele under spænding, hvilket fører til elektrisk stød.

k) Hold netkablet væk fra roterende indsatsværktøj. Taber du kontrollen over el-værktøjet, kan netkablet skæres over eller rammes, og din hånd eller din arm kan trækkes ind i det roterende indsatsværktøj.

l) Læg aldrig el-værktøjet til side, før indsatsværktøjet står helt stille. Det roterende indsatsværktøj kan komme i kontakt med fralægningsfladen, hvorved du kan tabe kontrollen over el-værktøjet.

m) Lad ikke el-værktøjet køre, mens det bæres. Dit tøj kan blive fanget ved en tilfældig kontakt med det roterende indsatsværktøj, hvorved indsatsværktøjet kan bore sig ind i din krop.

n) Rengør ventilationsåbningerne på dit el-værktøj med regelmæssige mellemrum. Motorhuset trækker støv ind i huset, og store mængder metalstøv kan være farligt rent elektrisk.

o) Brug ikke el-værktøjet i nærheden af brændbare materialer. Gnister kan sætte ild i materialer.

p) Brug ikke indsatsværktøj, der transporterer flydende kølemiddel. Brug af vand eller andre flydende kølemidler kan føre til elektrisk stød.

Tilbageslag og tilsvarende advarsler

Tilbageslag er en pludselig reaktion, som skyldes, at et roterende indsatsværktøj (slibemaskine, slibebagskive, trådbørste osv.) har sat sig fast eller blokerer. Fastsættelse eller blokering fører til et pludseligt stop af det roterende indsatsværktøj. Derved accelereres et ukontrolleret el-værktøj mod indsatsværktøjets omningsretning på blokeringsstedet.

Sidder f.eks. en slibeskive fast eller blokerer i et emne, kan kanten på slibeskiven, der dykker ned i emnet, blive siddende, hvorved slibeskiven brækker af eller fører til et tilbageslag. Slibeskiven bevæger sig så hen imod eller væk fra betjeningspersonen, afhængigt af skivens drejeretning på blokeringsstedet.

Et tilbageslag skyldes forkert eller fejlbehæftet brug af el-værktøjet. Det kan forhindres ved at træffe egnede forsigtighedsforanstaltninger, der beskrives i det følgende.

a) Hold godt fast i el-værktøjet og sørg for at både krop og arme befinder sig i en position, der kan klare tilbageslagskræfterne. Anvend altid ekstrahåndtaget, hvis et sådant findes, for at have så meget kontrol som muligt over tilbageslagskræfterne eller reaktionsmomenterne, når maskinen kører op i hastighed. Betjeningspersonen kan beherske tilbageslags- og reaktionskræfterne med egnede forsigtighedsforanstaltninger.

b) Sørg for at din hånd aldrig kommer i nærheden af det roterende indsatsværktøj. Indsatsværktøjet kan bevæge sig hen over din hånd i forbindelse med et tilbageslag.

c) Undgå at din krop befinder sig i det område, hvor el-værktøjet bevæger sig i forbindelse med et tilbageslag. Tilbageslaget driver el-værktøjet i modsat retning af slibeskivens bevægelse på blokeringsstedet.

d) Arbejd særlig forsigtig i områder som f.eks. hjørner, skarpe kanter osv. Forhindre at indsatsværktøjet slår tilbage fra emnet og sætter sig fast. Det roterende indsatsværktøj har tendens til at sætte sig fast, når det anvendes i hjørner, skarpe kanter eller hvis det springer tilbage. Dette medfører, at man taber kontrollen eller tilbageslag.

e) Brug ikke kædesavklinger eller tandede savklinger. Sådant indsatsværktøj fører hyppigt til tilbageslag eller at man taber kontrollen over el-værktøjet.

AS 12 E:

Særlige advarselshenvisninger til sandpapirslibning

a) Anvend ikke overdimensioneret slibepapir, men læs og overhold fabrikantens forskrifter mht. slibepapirets størrelse. Slibepapirer, der rager ud over slibebagskiven, kan føre til kvæstelser eller blokering eller iturinving af slibepapirerne eller til tilbageslag.

AP 12 E:

Særlige advarselshenvisninger i forbindelse med polering

a) Undgå løse dele på poleringshætten, især fastgørelsessnore. Afkort fastgørelsessnorene efter gem dem væk. Løse, meddrejende fastgørelsessnore kan gribe fat i dine fingre eller sætte sig fast i emnet.

Stikdåser udendørs skal være forsynet med fejlstrømssikringskontakter (FI, RCD, PRCD). Det forlanger installationsforskriften for Deres elektroanlæg. Overhold dette, når De bruger vores maskiner.

Spåner eller splinter må ikke fjernes, medens maskinen kører.

Maskinen sluttes kun udkoblet til stikdåsen.

Pas på ikke at få hånden ind i maskinen.

Brug altid støttegrebet.

Sluk straks for værktøjet, hvis der opstår betydelige svingninger eller der konstateres andre mangler. Kontrollér værktøjet og find frem til årsagen.

Benyt og opbevar kun slibeskiver iht. fabrikantens angivelser.

Gnistregn opstår ved slibning af metal. Vær opmærksom på, at personer ikke kommer til skade. På grund af brandfare må brandbare materialer ikke opbevares i nærheden (gnistregnområde). Brug ikke støvsuger.

Maskinen skal altid håndteres således, at gnister og slibestøv slynges væk fra kroppen.

Flangemøtrikken skal spændes inden maskinen tages i brug.

Det arbejdsemne, som skal bearbejdes, fastspændes, medmindre det holdes på plads af arbejdsemnets egenvægt. Før aldrig emnet mod skiven med hånden.

Under ekstreme anvendelsesbetingelser (f.eks. glatslibning af metaller med støtteskive og vulkanfiber-slibeskiver) kan det indvendige af vinkelsliberen blive meget snavset. I sådanne tilfælde er det af sikkerhedsgrunde nødvendigt at foretage grundig rengøring af indvendige metalaflejringer, ligesom det er absolut nødvendigt at installere et fejlstrøms-(HFI) relæ. Hvis HFI-relæet aktiveres, skal maskinen indsendes til reparation.

For værktøj hvorpå der skal monteres hjul med gevindskåret hul, skal De sikre, at gevindet i hjulet er langt nok til at rumme aksellængden.

TILTÆNKT FORMÅL

AP 12 E: Poleringsmaskinen kan anvendes til polering af lak, belægninger, kunststof og andre glatte overflader.

AS 12 E: Maskine er egnet til slibning af træ-, plast- og metallflader.

Produktet må ikke anvendes på anden måde og til andre formål end foreskrevet.

CE-KONFORMITETSERKLÆRING

Vi erklærer under almindeligt ansvar, at dette produkt er i overensstemmelse med følgende normer eller norma-tive dokumenter. EN 60745, EN 55014-1, EN 55014-2, EN 61000-3-2, EN 61000-3-3, i henhold til bestemmelserne i direktiverne 2006/42/EF, 2004/108/EF



Winnenden, 2010-01-10

Rainer Kumpf
Manager Product Development

Autoriseret til at udarbejde de tekniske dokumenter.

NETTILSLUTNING

Tilslutning må kun foretages til enfaset vekselstrøm og kun til en netspænding, som er i overensstemmelse med angivelsen på mærkepladen. Tilslutning kan også ske til stikdåser uden beskyttelseskontakt, da kapslingsklasse II foreligger.

VEDLIGEHOLDELSE

Hold altid maskinens ventilationsåbninger rene.

Brug kun AEG tilbehør og reservedele. Lad de komponenter, hvis udskiftning ikke er blevet beskrevet, udskifte hos AEG service (brochure garanti/bemærk kundeserviceadresser).

Ved opgivelse af type nr. der er angivet på maskinens effektskilt, kan De rekvirere en reservedelstegning, ved henvendelse til: AEG Elektrowerkzeuge, Max-Eyth-Straße 10, D-71364 Winnenden, Germany.

SYMBOLER



Læs brugsanvisningen nøje før ibrugtagning.



Når der arbejdes med maskinen, skal man have beskyttelsesbriller på.



Før ethvert arbejde ved maskinen skal stikket tages ud af stikdåsen.



Tilbehør - Ikke inkluderet i leveringsomfanget, køb købes som tilbehør.



Elværktøj må ikke bortskaffes som almindeligt affald! I henhold til det europæiske direktiv 2002/96/EF om bortskaffelse af elektriske og elektroniske produkter og gældende national lovgivning skal brugt værktøj indsamles separat og bortskaffes på en måde, der skåner miljøet mest muligt.

TEKNISKE DATA	Polermaskin/Slipemaskin	AP 12 E	AS 12 E
Nominell inngangseffekt	1200 W	1200 W	1200 W
Avgitt effekt	600 W	600 W	600 W
Tomgangsturtall	900-2500 min ⁻¹	1800-4800 min ⁻¹	1800-4800 min ⁻¹
Tomgangsturtall maks.	4700 min ⁻¹	9000 min ⁻¹	9000 min ⁻¹
Slipeskive-Ø	150 mm	180 mm	180 mm
Spindelgjenge	M 14	M 14	M 14
Vekt uten nettkabel	2,2 kg	2,5 kg	2,5 kg

Støy/Vibrasjonsinformasjon

Måleverdier fastslått i samsvar med EN 60 745.

Det typiske A-bedomte støynivået for maskinen er:

Lydtryknivå (K = 3 dB(A))	82 dB(A)	82 dB(A)
Lyddefektnivå (K = 3 dB(A))	93 dB(A)	93 dB(A)

Bruk hørselsvern!

Totale svingningsverdier (vektorsum fra tre retninger) beregnet jf. EN 60745.

Polering: svingningens emisjonsverdi a _h	<2,5 m/s ²	- m/s ²
Usikkerhet K =	1,5 m/s ²	- m/s ²
Sliping med kunststoffskive: svingningens emisjonsverdi a _h	- m/s ²	2,8 m/s ²
Usikkerhet K =	- m/s ²	1,5 m/s ²

ADVARSEL

Svingningsnivået som er angitt i denne instruksjonen er målt i overensstemmelse med målemetoden normert i direktiv EN 60745 og kan brukes til å sammenligne elektromaskiner med hverandre. Den egner seg også for en foreløbig vurdering av svingningsbelastningen.

Det angitte svingningsnivået representerer de hovedsaklige bruk av elektroverktøyet. Men anvendes elektroverktøyet for andre bruk med avvikende utskiftbare verktøy eller vedlikeholdet er utilstrekkelig, kan svingningsnivået være avvikende.

Dette kan forhøye svingningsbelastning betydelig over hele arbeidsperioden. For en nøyaktig vurdering av svingningsbelastningen må også det tas hensyn til tiden apparatet er avslått eller står på, men ikke er i bruk. Dette kan redusere svingningsbelastningen betydelig over hele arbeidsperioden.

Innfør også ekstra sikkerhetstiltak for å beskytte bruker mot utvirkingen av svingningene. Disse kan f.eks. være: vedlikehold av elektroverktøyet og det utskiftbare verktøyet, holde hendene varme, organisasjon av arbeidsforløpet.

⚠ ADVARSEL! Les alle sikkerhetsinstruksjoner og bruksanvisningen, også de i den vedlagte brosjyren. Feil ved overholdelsen av advarslene og nedenstående anvisninger kan medføre elektriske støt, brann og/eller alvorlige skader.

Ta godt vare på alle advarslene og informasjonene.

SPEIELLE SIKKERHETSHENVISNINGER

Felles advarsler om sandpapisliping og polering:

a) Dette elektroverktøyet skal brukes som polermaskin (kun ved AP 12 E) og sandpapisliper (kun ved AS 12 E). Følg alle advarsler, anvisninger, bilder og data som du får levert sammen med elektroverktøyet. Hvis du ikke følger følgende anvisninger, kan det oppstå elektriske støt, ild og/eller store skader.

b) Dette elektroverktøyet er ikke egnet til å slippe med sandpapir (kun ved AP 12 E), polering (kun ved AS 12 E), kutting og rensing og arbeid med stålborster. Bruk som elektroverktøyet ikke er konstruert for, kan forårsake farer og skader.

c) Ikke bruk tilbehør som ikke er spesielt beregnet og anbefalt av produsenten for dette elektroverktøyet. Selv om du kan feste tilbehøret på elektroverktøyet ditt, garanterer dette ingen sikker bruk.

d) Det godkjente turtallet til innsatsverktøyet må være minst like høyt som det maksimale turtallet som er angitt på elektroverktøyet. Tilbehør som dreies hurtigere enn godkjent, kan brenne og slynges rundt.

e) Utvendig diameter og tykkelse på innsatsverktøyet må tilsvare målene for elektroverktøyet. Gale innsatsverktøy kan ikke sikres eller kontrolleres tilstrekkelig.

f) Slipeskiver, flenser, slipetallere eller annet tilbehør må passe nøyaktig på slipespindelen til elektroverktøyet. Innsatsverktøy som ikke passer nøyaktig

på slipespindelen til elektroverktøyet, roterer uregelmessig, vibrerer svært sterkt og kan føre til at du mister kontrollen.

g) Ikke bruk skadede innsatsverktøy. Sjekk før hver bruk om innsatsverktøy slik om slipetallere kan er revnet eller svært slitt. Hvis elektroverktøyet eller innsatsverktøyet faller ned, må du kontrollere om det er skadet eller bruk er ikke skadet innsatsverktøy. Når du har kontrollert og satt inn innsatsverktøyet, må du holde personer som oppholder seg i nærheten unna det roterende innsatsverktøyet og la elektroverktøyet gå i ett minutt med maksimalt turtall. Som regel brenner skadede innsatsverktøy i løpet av denne testtiden.

h) Bruk personlig beskyttelsesutstyr. Avhengig av typen bruk må du bruke visir, øyebeskyttelse eller vernebriller. Om nødvendig må du bruke støvmaske, hørselsvern, vernehansker eller spesialfôrke som holder små slipeskiver og materialpartikler unna kroppen din. Øynene bør beskyttes mot fremmedlegemer som kan fly rundt ved visse typer bruk. Støv- eller pustevernmasker må filtrere den typen støv som oppstår ved denne bruken. Hvis du er utsatt for sterk støv over lengre tid, kan du miste hørselen.

i) Pass på at andre personer holder tilstrekkelig avstand til arbeidsområdet ditt. Alle som går inn i arbeidsområdet må bruke personlig verneutstyr. Brukne deler til verktøyet eller brukne innsatsverktøy kan slynges ut og derfor også forårsake skader utenfor det direkte arbeidsområdet.

j) Ta kun tak i elektroverktøyet på de isolerte gripeflatene, hvis du utfører arbeid der innsatsverktøyet kan treffe på skjulte strømløpninger eller den egne strømløpningen. Kontakt med en spenningsførende ledning setter også elektroverktøyet metalldele under spenning og fører til elektriske støt.

k) Hold strømløpningen unna roterende innsatsverktøy. Hvis du mister kontrollen over elektroverktøyet kan strømløpningen kappes eller komme inn i verktøyet, og

hånden eller armen din kan komme inn i det roterende innsatsverktøyet.

l) Legg aldri elektroverktøyet ned før innsatsverktøyet er stanset helt. Det roterende innsatsverktøyet kan komme i kontakt med overflaten der maskinen legges ned, slik at du kan miste kontrollen over elektroverktøyet.

m) La aldri elektroverktøyet være innkoblet mens du bærer det. Tøyet ditt kan komme inn i det roterende innsatsverktøyet hvis det tilfeldigvis kommer i kontakt med verktøyet og innsatsverktøyet kan da bore seg inn i kroppen din.

n) Rengjør ventilasjonsåpningene til elektroverktøyet med jevne mellomrom. Motorviften trekker støv inn i huset, og en stor oppsamling av metallstøv kan medføre elektrisk fare.

o) Ikke bruk elektroverktøyet i nærheten av brennbare materialer. Gnister kan antenne disse materialene.

p) Bruk ikke innsatsverktøy som krever flytende kjølemidler. Bruk av vann eller andre flytende kjølemidler kan føre til elektriske støt.

Tilbakeslag og tilsvarende advarsler

Tilbakeslag er innsatsverktøyet plutselige reaksjon etter at det har hengt seg opp eller blokkerer. Dette kan gjelde slipeskiven, slipetallerekenen, stålborsten osv.. Opphenging eller blokkering fører til at det roterende innsatsverktøyet stanser helt plutselig. Slik akselereres et ukontrollert elektroverktøy mot innsatsverktøyet dreieretning på blokkeringsstedet.

Hvis f. eks. en slipeskive henger seg opp eller blokkerer i arbeidsstykket, kan kanten på slipeskiven som dykker inn i arbeidsstykket, henge seg opp og slik brenner slipeskiven eller forårsaker et tilbakeslag. Slipeskiven beveger seg da mot eller bort fra brukeren, avhengig av skivens dreieretning på blokkeringsstedet.

Et tilbakeslag er resultat av en gal eller feilaktig bruk av elektroverktøyet. Det kan unngås ved å følge egnede sikkerhetstiltak som beskrevet nedenstående.

a) Hold elektroverktøyet godt fast og plasser kroppen og armene dine i en stilling som kan ta imot tilbakeslagskrefter. Bruk alltid ekstrahåndtaket – hvis dette finnes – for å ha størst mulig kontroll over tilbakeslagskrefter eller reaksjonsmomenter ved oppkjøring. Brukeren kan beherske tilbakeslags- og reaksjonsmomenter med egnede tiltak.

b) Hold aldri hånden i nærheten av det roterende innsatsverktøyet. Innsatsverktøyet kan bevege seg over hånden din ved tilbakeslag.

c) Unngå at kroppen din befinner seg i området der elektroverktøyet vil bevege seg ved et tilbakeslag. Tilbakeslaget driver elektroverktøyet i motsatt retning av slipeskivens dreieretning på blokkeringsstedet.

d) Vær spesielt forsiktig i hjørner, på skarpe kanter osv. Du må forhindre at innsatsverktøy avpelles fra arbeidsstykket eller klemmes fast. Det roterende innsatsverktøyet har en tendens til å klemmes fast i hjørner, på skarpe kanter eller hvis det avpelles. Dette forårsaker kontrolltap eller tilbakeslag.

e) Bruk ikke kjedesagblad eller tannet sagblad. Slike innsatsverktøy fører ofte til tilbakeslag eller til at man mister kontrollen over elektroverktøyet.

AS 12 E:

Spesielle advarsler om sandpapisliping

a) Ikke bruk overdimensjonerte slipeskiver, følg produsentens informasjon om slipepapirstørrelsen. Slipeskiver som peker ut over slipetallerekenen kan forårsake skader og føre til at slipeskivene blokkerer eller revner eller til at det oppstår tilbakeslag.

AP 12 E:

Spesielle advarsler om polering

a) Det må aldri finnes løse deler på polerhetten, spesielt ikke festesnorer. Putt unna eller kapp festesnorene. Løse roterende festesnorer kan gripe tak i fingrene dine eller vikle seg inn i arbeidsstykket.

Stikkontakter utendørs må være utstyrt med feilstrøm-sikkerhetsbryter (FI,RCD,PRCD). Dette forlanges av installasjonsforskriften for elektroanlegg. Vennligst følg dette når du bruker vårt apparat.

Spon eller fliser må ikke fjernes mens maskinen er i gang.

Maskinen må være slått av når den koples til stikkkontakten.

Ikke grip inn i fareområdet mens maskinen er i gang.

Bruk alltid ekstrahåndtaket.

Slå straks av apparat når det oppstår store svingninger eller du fastslår andre mangler. Kontroller maskinen for å fastslå årsaken.

Bruk og oppbevar slipeskiver alltid i henhold til produsentens anvisninger.

Ved sliping av metall flyr det gnister. Pass på at ingen personer blir utsatt for fare. På grunn av brannfare må det ikke finnes noen brennbare materialer i nærheten (gnistområdet). Ikke bruk støvavsug.

Hold apparatet alltid slik at gnister eller slipestøv flyr vekk fra kroppen.

Flensmutteren må være trukket til før maskinen startes.

Det emnet som skal bearbeides må være fastspenn, hvis det ikke blir holdt av sin egen vekt. Før aldri emnet med hånden mot skiven.

Under ekstreme bruksforhold (f.eks. ved glattsliiping av metall med støtteskive og vulkanfiber-slipeskiver) kan det legges seg mye skitt inne i vinkelsliperen. Ved slike bruksforhold er det av sikkerhetsgrunner nødvendig med innvendig rengjøring for å fjerne metallrester, det er dessuten tvungende nødvendig å montere en jordfeil- (FI) bryter. Hvis FI-bryteren reagerer må maskinen innsendes til reparasjon.

For verktøy som skal tilpasses hjul med gjengete hull, påse at gjengen i hjulet er langt nok til spindelengden.

FORMÅLMESSIG BRUK

AP 12 E: Poleringsskiven kan benyttes til polering av lakk, overflatebehandlinger, plast og andre glatte overflater.

AS 12 E: Maskine er egnet til flatesliiping av treverk, plast og metall.

Dette apparatet må kun brukes til de oppgitte formål.

CE-SAMSVARERKLÆRING

Vi erklærer på eget ansvar at dette produktet stemmer overens med de følgende normer eller normative dokumenter. EN 60745, EN 55014-1, EN 55014-2, EN 61000-3-2, EN 61000-3-3, i henhold til bestemmelsene i direktivene 2006/42/EF, 2004/108/EF



Winnenden, 2010-01-10

Rainer Kumpf
Manager Product Development

Autorisert til å utarbeide den tekniske dokumentasjonen

NETTILKOPLING

Skal bare tilsluttes enfasevekselstrøm og bare til den på skiltet angitte nettspenning. Tilslutning til stikkontakter uten jordet kontakt er mulig fordi beskyttelse beskyttelsesklasse II er forhanden.

VEDLIKEHOLD

Hold alltid luften åpningene på maskinen rene.

Bruk kun AEG tilbehør og reservedeler. Komponenter der utskiftning ikke er beskrevet skal skiftes ut hos AEG kundeservice (se brosjyre garanti/kundeserviceadresser).

Ved behov kan du be om en eksplosjonstegning av apparatet hos din kundeservice eller direkte hos AEG Elektrowerkzeuge, Max-Eyth-Straße 10, D-71364 Winnenden, Germany. Oppgi maskintype og det tilsfjære nummeret på typeskiltet.

SYMBOLER



Les nøye gjennom bruksanvisningen før maskinen tas i bruk.



Bruk alltid vernebrille når du arbeider med maskinen.



Trekk støpslet ut av stikkontakten før du begynner arbeidet på maskinen.



Tilbehør - inngår ikke i leveransen, anbefalt komplettering fra tilbehørsprogrammet.



Kast aldri elektroverktøy i husholdningsavfallet! I henhold til EU-direktiv 2002/96/EF om kasserte elektriske og elektroniske produkter og direktivets iverksetting i nasjonal rett, må elektroverktøy som ikke lenger skal brukes, samles separat og returneres til et miljøvennlig gjenvinningsanlegg.

TEKNISKA DATA

Polermaskin/Slipmaskin

PE 150

/ SE 12-180

Nominell opptagen effekt.....	1200 W	1200 W
Uteffekt.....	600 W	600 W
Obelastet varvtal.....	900-2500 min ⁻¹	1800-4800 min ⁻¹
Max. Tomgåingsvarvtal, obelastet.....	4700 min ⁻¹	9000 min ⁻¹
Slipskivor-Ø.....	150 mm	180 mm
Spindelgånga.....	M 14	M 14
Vikt utan nåtkabel.....	2,1 kg	2,5 kg

Buller-/vibrationsinformation

Måtvärdena har tagits fram baserande på EN 60 745.

A-värdet av maskinens ljudnivå utgör:

Ljudtrycksnivå (K=3 dB(A)).....	82 dB(A)	82 dB(A)
Ljudeffektsnivå (K=3 dB(A)).....	93 dB(A)	93 dB(A)

Använd hörselskydd!

Totala vibrationsvärdet (vektorsumma ur tre riktningar) framtaget enligt EN 60745.

Polering: svängningsemissionsvärde a _h	<2,5 m/s ²	- m/s ²
Onoggrannhet K =.....	1,5 m/s ²	- m/s ²
Slipning med plastslipmaterial: svängningsemissionsvärde a _h	- m/s ²	2,8 m/s ²
Onoggrannhet K =.....	- m/s ²	1,5 m/s ²

VARNING

Den i de här anvisningarna angivna vibrationsnivån har uppmätts enligt ett i EN 60745 normerat mätförfarande och kan användas vid jämförelse mellan olika elverktyg. Nivån är även lämplig att använda vid en preliminär bedömning av vibrationsbelastningen.

Den angivna vibrationsnivån representerar den huvudsakliga användningen av det aktuella elverktøyet. Men om elverktøyet ska användas i andra användningsområden, tillsammans med avvikande insatsverktøy eller efter otillräckligt underhåll, kan vibrationsnivån skilja sig. Det kan öka vibrationsbelastningen betydligt under hela arbetstiden.

För att få en exaktare bedömning av vibrationsbelastningen ska även den tid beaktas, under vilken elverktøyet är avstängt eller är påslaget, utan att det verkligen används. Det kan reducera vibrationsbelastningen betydligt under hela arbetstiden.

Lägg som skydd för användaren fast extra säkerhetsåtgärder mot vibrationernas verkan, som till exempel: underhåll av elverktøy og insatsverktøy, varmhållning av händer och organisering av arbetsförlopp.

⚠ VARNING! Läs alla säkerhetsanvisningar och andra tillhörande anvisningar, även de i den medföljande broschyren. Fel som uppstår till följd av att anvisningarna nedan inte följts kan orsaka elstöt, brand och/eller allvarliga kroppsskador.
Förvara alla varningar och anvisningar för framtida bruk.

SÄKERHETSUTRUSTNING

Gemensamma säkerhetsanvisningar för sandpappersslipning och polering:

- Elverktøyet kan användas som poleringsmaskin (endast AP 12 E) och slippappersslipmaskin (endast AS 12 E). Beakta alla säkerhetsanvisningar, anvisningar, illustrationer och data som levereras med elverktøyet. Om nedanstående anvisningar ignoreras finns risk för att elstöt, brand och/eller allvarliga personskador uppstår.
- Den här maskinen är inte avsedd för slipning med sandpapper (endast AP 12 E), polering (endast AS 12 E), kapning och slipning och arbeten med trådborste. Tillämpningar som maskinen inte är avsedd för kan förorsaka faror och personskador.
- Använd inte tillbehör som tillverkaren inte uttryckligen godkännt och rekommenderat för detta elverktøy. Även om tillbehör kan fästas på elverktøyet finns det ingen garanti för en säker användning.
- Insatsverktøyet tillåtna varvtal måste åtminstone motsvara det på elverktøyet angivna högsta varvtalet. Tillbehör med en högre rotationshastighet kan brista och slungas ut.
- Insatsverktøyet yttre diameter och tjocklek måste motsvara elverktøyet dimensioner. Feldimensionerade insatsverktøy kan inte på betryggande sätt avskämmas och kontrolleras.

f) Slipskivor, flänsar, sliprondeller och annat tillbehör måste passa exakt på elverktøyet slippindel. Insatsverktøy som inte exakt passar till elverktøyet slippindel roterar ojämnt, vibrerar kraftigt och kan leda till att du förlorar kontrollen över verktøyet.

g) Använd aldrig skadade insatsverktøy. Kontrollera före varje användning insatsverktøyet som t. ex. sliprondeller avseende spricker repor eller kraftig nedslitning. Om elverktøyet eller insatsverktøyet skulle falla ned kontrollera om skada uppstått eller montera ett oskadat insatsverktøy. Du och andra personer i närheten ska efter kontroll och montering av insatsverktøy ställa er utanför insatsverktøyet rotationsradie och sedan låta elverktøyet rotera en minut med högsta varvtal. Skadade insatsverktøy går i de flesta fall sönder vid denna provkörning.

h) Använd personlig skyddsutrustning. Använd alltefter avsett arbete ansiktsskärm, ögonskydd eller skyddsglasögon. Om så behövs, använd dammfiltermask, hörselskydd, skyddshandskar eller skyddsförkläde som skyddar mot små utslungade slip- och materialpartiklar. Ögonen ska skyddas mot utslungade främmande partiklar som kan uppstå under arbetet. Damm- och andningsskydd måste kunna filtrera bort det damm som eventuellt uppstår under arbetet. Risk finns för hörselskada under en längre tids kraftigt buller.

i) Se till att obehöriga personer hålls på betryggande avstånd från arbetsområdet. Alla som rör sign inom arbetsområdet måste använda personlig skyddsutrustning. Brottstycken från arbetsstycket eller insatsverktøyet kan slungas ut och orsaka personskada även utanför arbetsområdet.

j) Håll fast elverktøyet endast vid de isolerade handtagen när arbeten utförs på ställen där insatsverktøyet kan skada dolda elledningar eller egen nätsladd. Om elverktøyet kommer i kontakt med en

spänningsförande ledning sätts elverktygets metalldelar under spänning som sedan leder till elstöt.

k) Håll nätsladden på avstånd från roterande insatsverktyg. Om du förlorar kontrollen över elverktyget kan nätsladden kapas eller dras in varvid risk finns för att din hand eller arm dras mot det roterande insatsverktyget.

l) Lägg aldrig bort elverktyget innan insatsverktyget stannat fullständigt. Det roterande insatsverktyget kan komma i beröring med underlaget varvid risk finns för att du förlorar kontrollen över verktyget.

m) Elverktyget får inte rotera när det bärs. Kläder kan vid tillfällig kontakt med det roterande insatsverktyget dras in varvid insatsverktyget dras mot din kropp.

n) Rengör regelbundet elverktygets ventilationsöppningar. Motorfläkten drar in damm i huset och en kraftig anhopning av metalldamm kan orsaka farliga elströmmar.

o) Använd inte elverktyget i närheten av brännbara material. Risk finns för att gnistor antänder materialet.

p) Använd inte insatsverktyg som kräver flytande kylmedel. Vatten eller andra kylvätskor kan medföra elstöt.

Varning för bakslag

Ett bakslag är en plötslig reaktion hos insatsverktyget när t. ex. slipskivan, sliprondellen, stålborsten hakar upp sig eller blockerar. Detta leder till abrupt uppbromsning av det roterande insatsverktyget. Härvid accelererar ett okontrollerat elverktyg mot insatsverktygets rotationsriktning vid inklämningsstället.

Om t. ex. en slipskiva hakar upp sig eller blockerar i arbetsstycket kan slipskivans kant i arbetsstycket klämmas fast varvid slipskivan bryts sönder eller orsakar bakslag. Slipskivan rör sig nu mot eller bort från användaren beroende på skivans rotationsriktning vid inklämningsstället. Bakslag uppstår till följd av missbruk eller felaktig hantering av elverktyget. Detta kan undvikas genom skyddsåtgärder som beskrivs nedan.

a) Håll stadigt i elverktyget samt kroppen och armarna i ett läge som är lämpligt för att motstå bakslagskrafter. Använd alltid stödhandtaget för bästa möjliga kontroll av bakslagskrafter och reaktionsmoment vid start. Användaren kan genom lämpliga försiktighetsåtgärder bättre behärska bakslags- och reaktionskrafterna.

b) Håll alltid handen på betryggande avstånd från det roterande insatsverktyget. Insatsverktyget kan vid ett bakslag gå mot din hand.

c) Undvik att hålla kroppen inom det område elverktyget vid ett bakslag rör sig. Bakslaget kommer att driva elverktyget i motsatt riktning till slipskivans rörelse vid inklämningsstället.

d) Var särskilt försiktig vid bearbetning av hörn, skarpa kanter osv. Håll emot så att insatsverktyget inte studsar ut från arbetsstycket eller kommer i kläm. På hörn, skarpa kanter eller vid studsning tenderar det roterande insatsverktyget att komma i kläm. Detta kan leda till att kontrollen förloras eller att bakslag uppstår.

e) Använd aldrig kedje- eller tandade sågklingor. Dessa insatsverktyg orsakar ofta ett bakslag eller förlust av kontrollen över elverktyget.

AS 12 E: Speciella säkerhetsanvisningar för sandpappersslipning

a) Använd inte för stora slippapper, se tillverkarens uppgifter om slippapperets storlek. Slippapper som står ut över sliprondellen kan leda till personskada, blockera, rivas sönder eller också orsaka bakslag.

AP 12 E: Speciella säkerhetsanvisningar för polering

a) Se till att inga lösa delar finns på polerhättan t.ex. fastspänningsband. Kläm in eller kapa fastspänningsbanden. Lösa roterande fastspänningsband kan gripa tag i fingren eller dras in i arbetsstycket.

Anslut alltid verktyget till via en felströmbrytare (FI, RCD, PRCD) vid användning utomhus.

Avlägsna aldrig spän eller flisor när maskinen är igång.

Maskinen skall vara fränkopplad innan den anslutes till väggurtag.

Lakttag största försiktighet när maskinen är igång.

Använd alltid stödhandtag.

Fränkoppla maskinen omedelbart om kraftiga vibrationer uppstår eller andra felfunktioner registreras. Kontrollera maskinen för lokalisering av orsak.

Använd och uppbevara alltid slipskivorna enligt tillverkarens anvisningar.

Vid slipning av metall uppstår gnistor. Se till att personer inte skadas. Pga brandrisken får inga brännbara material finnas i närheten (inom gnistområdet). Använd inte dammsugning!

Håll alltid maskinen så, att gnistor och slipdamm flyger i riktning från kroppen.

Fläsmuttern skall vara åtdragen innan start av maskinen.

Spänn fast arbetsstycket om det inte ligger stadigt till följd av egen vikt. För aldrig arbetsstycket för hand mot slipskivan.

Vid extrema användningsvillkor (till exempel vid planslipning av metaller med stödtallrik och slipskivor av vulkanfiber) kan det bildas mycket smuts på insidan av vinkelslipmaskinen. Vid sådana tillfällen krävs det av säkerhetsskäl såväl en grundlig rengöring från metallavlagringar på insidan som en förkoppling av en jordfelsbrytare. Om jordfelsbrytaren skulle löser ut, så måste vinkelslipmaskinen skickas på reparation.

För verktyg avsedda att förses med skivor med gängat hål, bör man kontrollera att skivans gängning är tillräckligt lång att hantera spindelns

ANVÄND MASKINEN ENLIGT ANVISNINGARNA

AP 12 E: Polermaskinen kan användas för polering av lack, beläggningar, plaster och andra släta ytor.

AS 12 E: Maskine är lämpad att slipa ytor på trä, plastmaterial och metall.

Maskinen får endast användas för angiven tillämpning.

CE-FÖRSÄKRAN

Vi intygar och ansvarar för, att denna produkt överensstämmer med följande norm och dokument
EN 50144, EN 55014-1, EN 55014-2, EN 61000-3-2,
EN 61000-3-3, enl. bestämmelser och riktlinjerna 2006/42/
EG, 2004/108/EG



Winnenden, 2010-01-10

Rainer Kumpf
Manager Product Development

Befullmäktigad att sammanställa teknisk dokumentation.

NÄTANSLUTNING

Får endast anslutas till 1-fas växelström och till den spänning som anges på dataskylten. Anslutning kan även ske till eluttag utan skyddskontakt, eftersom konstruktionen motsvarar skyddsklass II.

SKÖTSEL

Se till att motorhöljets luftslitsar är rena.

Använd endast AEG tillbehör och reservdelar. Byggdelar vars utbyte ej beskrives utväxlas bäst av AEG auktoriserad serviceverkstad. (beakta broschyrer Garanti/Kundtjänstadresser).

Vid behov av sprängskiss, kan en sådan, genom att uppges maskinens art. nr. (som finns på typskylten) erhållas från: AEG Elektrowerzeuge, Max-Eyth-Straße 10, D-71364 Winnenden, Germany.

SYMBOLER



Läs instruktionen noga innan du startar maskinen.



Använd alltid skyddsglasögon.



Drag alltid ur kontakten när du utför arbeten på maskinen.



Tillbehör - Ingår ej i leveransomfånget, erhålles som tillbehör.



Elektriska verktyg får inte kastas i hushållssoporna! Enligt direktivet 2002/96/EG som avser äldre elektrisk och elektronisk utrustning och dess tillämpning enligt nationell lagstiftning ska uttjänta elektriska verktyg sorteras separat och lämnas till miljövänlig återvinning.

TEKNISET ARVOT	Kiillotuskone/Hiomakone	AP 12 E	AS 12 E
Nimellinen teho.....		1200 W	1200 W
Antoteho		600 W	600 W
Kuomittamaton kierros/luku.....		900-2500 min ⁻¹	1800-4800 min ⁻¹
Max. Kuomittamaton kierros/luku.....		4700 min ⁻¹	9000 min ⁻¹
Hiomalaikan Ø		150 mm	180 mm
Karan kierre		M 14	M 14
Paino ilman verkkojohtoa		2,2 kg	2,5 kg

Melunpäästö-/tärinätiedot

Mitta-arvot määritetty EN 60 745 mukaan.

Koneen tyyppillinen A-luokitettu melutaso:

Melutaso (K = 3 dB(A)).....	82 dB(A)	82 dB(A)
Äänivoimakkuus (K = 3 dB(A)).....	93 dB(A)	93 dB(A)

Käytä kuulosuojaimia!

Värähtelyn yhteisarvot (kolmen suunnan vektorisumma) mitattuna EN 60745 mukaan.

Kiilloittaminen: värähtelyn päästöarvo a _n	<2,5 m/s ²	- m/s ²
Epävarmuus K =	1,5 m/s ²	- m/s ²
Hionta muovihiomalautasta käyttäen: värähtelyn päästöarvo a _n	- m/s ²	2,8 m/s ²
Epävarmuus K =	- m/s ²	1,5 m/s ²

VAROITUS

Näissä ohjeissa mainittu värähtelytaso on mitattu EN 60745 -standardin mukaisella mittausmenetelmällä ja sitä voidaan käyttää sähkötyökalujen vertaamiseen. Sitä voidaan käyttää myös värähtelyrasituksen väliaikaiseen arviointiin.

Mainittu värähtelytaso edustaa sähkötyökalun pääasiallista käyttöä. Jos sähkötyökalua kuitenkin käytetään muihin tehtäviin, poikkeavien työkaluun tai riittämättömästi huoltaen, värähtelytaso voi olla erilainen. Se voi korottaa värähtelyrasitusta koko työajan osalta.

Tarkan värähtelyrasituksen toteamiseen tulee ottaa huomioon aika, jona laite on kytketty pois tai on kylläkin päällä, mutta ei käytössä. Se voi pienentää värähtelyrasitusta koko työajan osalta.

Määrittele lisäturvatoimenpiteitä käyttäjän suojaamiseksi värinöiden vaikutukselta, kuten esimerkiksi: sähkötyökalujen ja käyttötyökalujen huolto, käsien lämpiminä pitäminen, työvaiheiden organisaatio.

VAROITUS! Lue kaikki, myös oheistetussa esitteessä annetut turvallisuusmääräykset ja käyttöohjeet.

Turvallisuusohjeiden noudattamisen laiminlyönti saattaa johtaa sähköiskuun, tulipaloon ja/tai vakavaan loukkaantumiseen.

Säilytä kaikki turvallisuus- ja muut ohjeet tulevaisuutta varten.

TURVALLISUUSOHJEET

Yhteiset turvallisuusohjeet hiekkapaperihiomista ja kiilloitusta:

a) Tätä sähkötyökalua tulee käyttää teräsharjamakoneena (vain mallissa AP 12 E) ja hiekkapaperihiomakoneena (vain mallissa AS 12 E). Ota huomioon kaikki varo-ohjeet, ohjeet, piirustukset ja tiedot, joita saat sähkötyökalun kanssa. Ellei noudata seuraavia ohjeita, saattaa se johtaa sähköiskuun, tulipaloon ja/tai vaikeisiin loukkaantumisiin.

b) Tämä sähkötyökalu ei sovellu hiekkapaperilla hiomiseen (vain mallissa AP 12 E) tai kiilloittamiseen (vain mallissa AS 12 E), katkaisu- ja karkeahiontalaitat ja teräsharja. Sellainen käyttö, jota varten sähkötyökalua ei ole tehty, saattaa aiheuttaa vaaratilanteita ja vammoja.

c) Älä käytä mitään lisälaitteita, joita ei valmistaja ole tarkoittanut tai suositellut nimenomaan tälle sähkötyökalulle. Vain se, että pystyt kiinnittämään laitetta sähkötyökaluusi ei takaa sen turvallista käyttöä.

d) Vaihtotyökalun sallitun kierrosluvun tulee olla vähintään yhtä suuri, kuin sähkötyökalussa mainittu suurin kierros/luku. Lisätarvike, joka pyörii sallittua suuremmalla nopeudella, saattaa murtua ja sinkoutua ympäristöön.

e) Vaihtotyökalun ulkohalkaisijan ja paksuuden tulee vastata sähkötyökalun mittatietoja. Väärin mitoitetut vaihtotyökaluja ei voida suojata tai hallita riittävästi.

f) Hiomalaikkojen, laippojen, hiomalautasten ja muitten tarvikkeiden tulee sopia tarkasti sähkötyökalusi hiomakaraan. Vaihtotyökalut, jotka eivät sovi tarkkaan sähkötyökalun hiomakaraan pyörivät epätasaisesti, tarvitsevat voimakkaasti ja saattavat johtaa työkalun hallinnan menettämiseen.

l) Älä aseta sähkötyökalua pois, ennen kuin vaihtotyökalu on pysähtynyt kokonaan. Pyörivä vaihtotyökalu saattaa koskettaa lepopintaa ja voit menettää sähkötyökalusi hallinnan.

m) Älä koskaan pidä sähkötyökalua käynnissä sitä kantaessasi. Vaahteeksi voi hetkellisen kosketuksen seurauksena tarttua kiinni pyörivään vaihtotyökaluun, joka saattaa porautua kehoosi.

n) Puhdista sähkötyökalusi tuuletusaukot säännöllisesti. Moottorin tuuletin imee pölyä työkalun koteloon, ja voimakas metallipölyn kasautuma voi synnyttää sähköisiä vaaratilanteita.

o) Älä käytä sähkötyökalua palavien aineiden lähellä. Kipinät voivat sytyttää näitä aineita.

p) Älä käytä vaihtotyökaluja, jotka tarvitsevat nestemäistä jäähdytysainetta. Veden tai muiden nestemäisten jäähdytysaineiden käyttö saattaa johtaa sähköiskuun.

Takaisku ja vastaavat varo-ohjeet

Takaisku on äkillinen reaktio, joka syntyy pyörivän vaihtotyökalun, kuten hiomalaikan, hiomalautasen tai teräsharjan tarttuessa kiinni tai jäädessä puristukseen. Tarttuminen tai puristukseen joutuminen johtaa pyörivän vaihtotyökalun äkilliseen pysähtymiseen. Tällöin hallitsematon sähkötyökalu sinkoutuu tarttumakohdasta vaihtotyökalun kiertosuunnasta vastakkaiseen suuntaan. Jos esim. hiomalaikka tarttuu tai joutuu puristukseen työkalupalaiseen, saattaa hiomalaikan reuna, joka on uponnut työkalupalaiseen, juuttua kiinni aiheuttaen hiomalaikan ponnahduksen ulos työkalupalasta tai aiheuttaa takaiskun. Hiomalaikka liikkuu silloin käytävää henkilöä vasten tai pois päin hänestä, riippuen laikan kiertosuunnasta tarttumakohdassa. Takaisku johtuu sähkötyökalun väärinkäytöstä tai käytöstä väärään tarkoitukseen. Se voidaan estää sopivin varotoimin, joita selostetaan seuraavassa.

a) Pitele sähkötyökalua tukevasti ja saata kehosi ja käsivartesi asentoon, jossa pystyt vastaamaan takaiskuvoimiin. Käytä aina lisäkahvaa, jos sinulla on sellainen, jotta pystyisit parhaalla mahdollisella tavalla hallitsemaan takaiskuvoimia tai vastamomenteja työkalun ryntökäynnissä. Käytävä henkilö pystyy hallitsemaan takaisku ja vastamomentivoimat noudattamalla sopivia suojatoimenpiteitä.

b) Älä koskaan tuo kättäsi lähelle pyörivää vaihtotyökalua. Vaihtotyökalua saattaa takaiskun sattuessa liikkua kätesi yli.

c) Vältä pitämästä kehoasi alueella, johon sähkötyökalu liikkuu takaiskun sattuessa. Takaisku pakottaa sähkötyökalun vastakkaiseen suuntaan hiomalaikan liikkeeseen nähden tarttumiskohdassa.

d) Työkentele erityisen varovasti kulmien, terävien reunojen jne. alueella, estä vaihtotyökalua ponnahtamasta takaisin työkalupalasta ja juuttumasta kiinni. Pyörivällä vaihtotyökalulla on taipumus juuttua kiinni kulumissa, terävissä reunoissa tai saadessaan kimmokkeen. Tämä johtaa hallinnan pettämiseen tai takaiskuun.

e) Älä käytä ketjuteriä tai hammastettuja sahanteriä. Tällaiset vaihtotyökalut aiheuttavat usein takaiskun tai sähkötyökalun hallinnan menettämisen.

AS 12 E:

Erityiset varo-ohjeet hiekkapaperihiontaan

a) Älä käytä ylisuuria hiomapyöröjä, vaan noudata valmistajan ohjeita hiomapyöröjen koosta. Hiomapyöröt jotka ulottuvat hiomalautasen ulkopuolelle, saattavat aiheuttaa loukkaantumista tai johtaa kiinnijuuttumiseen, hiomapyörön repeytymiseen tai takaiskuun.

AP 12 E:

Erityiset varo-ohjeet kiilloitukseen

a) Älä hyväksy mitään irtonaisia osia kiilloitushupussa, esim. kiinnitysnauhoja. Piilota tai lyhennä kiinnitysnauhat. Irtonaiset pyörivät kiinnitysnauhat voivat tarttua sormeisi tai työkalupalaiseen.

Ulkokäytössä olevat pistorasiat on varustettava vikavirta-suojajkytimillä (FI, RCD PRCD) sähkölaitteistosi asennusmääräyksen mukaisesti. Muista tarkistaa, että laite liitetään ulkokäytössä ulkopistorasiaan ja neuvottele asiasta sähköasentajasi kanssa.

Lastuja tai puruja ei saa poistaa koneen käydessä.

Varmista, että kone on sammutettu ennen kytkemistä sähköverkkoon.

Älä tartu käynnistetyn laitteen työskentelyalueelle.

Käytä aina lisäkädensija.

Pysäytä laite välittömästi jos siinä esiintyy huomattavaa värähtelyä tai huomaat muuta puutetta. Tarkista kone vian aiheuttajan määrittelemiseksi.

Käytä ja säilytä aina hiomalaikat valmistajan ohjeiden mukaan.

Metallien hionnassa syntyy kipinöintiä. Tarkista, ettei kenellekään aiheuteta vaaraa. Tulipalovaaran takia ei lähistöllä saa olla mitään palavia aineita (kipinäetäisyydellä). Pölynpoistoa ei käytetä.

Käytä konetta siten, että lastut ja kipinät lentävät itsestäsi pois päin.

Laippamutterin on oltava kunnolla kiristetty ennen koneen käyttöönottoa.

Työstettävä kappale on kiinnitettävä, ellei se omapainonsa vuoksi pysy paikallaan. Älä koskaan vie työkalupaltaa kädessä hiomalaikkaa vasten.

Äärimmäisen vaikeissa käyttöolosuhteissa (esim. kiilloitettaessa metalleja tukilautasella ja vulkaanikuitu-hiomalaikoilla) saattaa kulmahiomalaitteen sisäpuolelle kertyä runsaasti likaa. Tällaisissa käyttöolosuhteissa on turvallisuusystävällisen tarpeen puhdistaa metallikertymät laitteen sisäosista perusteellisesti ja lisäksi tulee ehdottomasti kytkeä laitteen eteen vuotovirtavaroke (FI-katkaisin). Kun FI-katkaisin on lauennut, tulee kone lähettää korjattavaksi.

Varmista sellaisissa työkaluissa, joihin on tarkoitettu kiinnittävä kierteisreikäinen laikka, että laikan kierre on riittävän pitkä sopimaan karan pituuteen.

TARKOITUKSEN MUKAINEN KÄYTTÖ

AP 12 E: Kiilloituskonetta voidaan käyttää lakka- ja muovipintojen sekä muiden sileiden pintojen ja pinnoitteiden kiilloitukseen.

AS 12 E: Tasehiomakone voidaan käyttää puun, muovin ja metallin hiomiseen.

Älä käytä tuotetta ohjeiden vastaisesti.

TODISTUS CE-STANDARDINMUKAISUUDESTA

Todistamme täten ja vastaamme yksin siitä, että tämä tuote on allalueteltujen standardien ja standardoimisasiakirjojen vaatimusten mukainen. EN 60745, EN 55014-1, EN 55014-2, EN 61000-3-2, EN 61000-3-3, seuraavien sääntöjen mukaisesti: 2006/42/EY, 2004/108/EY



Winnenden, 2010-01-10

Rainer Kumpf
Manager Product Development

Valtuutettu kokoamaan tekniset dokumentit.

VERKKOLIITÄNTÄ

Yhdistä ainoastaan tasavirtalähteeseen, jonka volttimäärä on sama kuin levyssä ilmoitettu. Myös liittäminen maadoittamattomiin pistokkeisiin on mahdollista, sillä muotoilu on yhdenmukainen turvallisuusluokan II kanssa.

HUOLTO

Pidä moottorin ilmanottoaukot puhtaina.

Käytä vain AEG: n lisälaitteita ja varaosia. Käytä ammattitaitoisten AEG-huoltosopimusliikkeiden palveluja muiden kuin käyttöohjeessa kuvattujen osien vaihdossa. (esite takuu/huoltoliikeluettelo).

Tarpeen vaatiessa voit pyytää lähettämään laitteen kokoonpanopiirustuksen ilmoittamalla arvokilven kymmennumeroisen numeron seuraavasta osoitteesta: AEG Elektrowerkzeuge, Max-Eyth-Straße 10, D-71364 Winnenden, Germany.

SYMBOLIT



Lue käyttöohjeet huolellisesti, ennen koneen käynnistämistä.



Käytä laitteella työskennellessäsi aina suojalaseja.



Irrota aina pistotulppa seinäkoskettimesta ennen koneeseen tehtäviä toimempiteitä.



Lisälaitte - Ei sisälly vakiovarustukseen, saatavana lisätarvikkeena.



Älä hävitä sähkötyökäluja tavallisen kotitalousjätteen mukana! Vanhoja sähkö- ja elektroniikkalaitteita koskevan EU-direktiivin 2002/96/EY: n sen maakohtaisten sovellusten mukaisesti käytetyt sähkötyökäluet on toimitettava ongelmajätteen keräyspisteeseen ja ohjattava ympäristöstävälliseen kierrätykseen.

TEKNIIKA SΤΟΙΧΕΙΑ ΤΡΟΧΟΣ ΣΤΙΛΒΩΣΗΣ/ΓΥΑΛΟΧΑΡΤΙΕΡΑ

PE 150 / SE 12-180

Όνομαστική ισχύς	1200 W	1200 W
Αποδιδόμενη ισχύς	600 W	600 W
Αριθμός στροφών χωρίς φορτίο	900-2500 min ⁻¹	1800-4800 min ⁻¹
Μέγιστος αριθμός στροφών χωρίς φορτίο	4700 min ⁻¹	9000 min ⁻¹
Μέγιστη ψ δίσκου λείανσης	150 mm	180 mm
Σπειρώμα ατράκτου	M 14	M 14
Βάρος χωρίς καλώδιο	2,1 kg	2,5 kg

Πληροφορίες θορύβου/δονήσεων

Τιμές μέτρησης εξακριβωμένες κατά EN 60 745.

Η σύμωνα με την καμπύλη Α εκτιμηθείσα στάθμη θρύου τυ μηχανήματς ανέρχεται σε:

Στάθμη ηχητικής πίεσης (K = 3 dB(A))	82 dB(A)	82 dB(A)
Στάθμη ηχητικής ισχύος (K = 3 dB(A))	93 dB(A)	93 dB(A)

Φοράτε προστασία ακοής (ωτασπίδες)!

Ι λικές τιμές κραδασμών (άθρισμα ανυσμάτων τριών διευθύνσεων) εξακριβώθηκαν σύμφωνα με τ πρτυπ EN 60745.

Στίλβωμα: Τιμή εκπομπής δονήσεων a _h	<2,5 m/s ²	m/s ²
Ανασάλεια K =	1,5 m/s ²	m/s ²
Λείανση με συνθετικό δίσκο λείανσης: Τιμή εκπομπής δονήσεων a _h	m/s ²	2,8 m/s ²
Ανασάλεια K =	m/s ²	1,5 m/s ²

ΠΡΟΕΙΔΟΠΟΙΗΣΗ

Το αναφερόμενο σ' αυτές τις οδηγίες επίπεδο δονήσεων έχει μετρηθεί με μια τυποποιημένη σύμφωνα με το EN 60745 μέθοδο μέτρησης και μπορεί να χρησιμοποιηθεί για τη σύγκριση των ηλεκτρικών εργαλείων μεταξύ τους. Αυτό είναι επίσης κατάλληλο για μια προσωρινή εκτίμηση της επιβάρυνση των δονήσεων.

Το αναφερόμενο επίπεδο δονήσεων αντιπροσωπεύει τις κύριες χρήσεις του ηλεκτρικού εργαλείου. Εάν όμως το ηλεκτρικό χρησιμοποιείται σε άλλες χρήσεις, με διαφορετικά εργαλεία εφαρμογής ή ανεπαρκή συντήρηση, μπορεί να υπάρξει απόκλιση του επιπέδου δονήσεων. Αυτό μπορεί να αυξήσει σημαντικά την επιβάρυνση των δονήσεων για τη συνολική διάρκεια της εργασίας.

Για μια ακριβή εκτίμηση της επιβάρυνσης των δονήσεων οφείλουν επίσης να λαμβάνονται υπόψη οι χρόνοι, στους οποίους η συσκευή είναι απενεργοποιημένη ή είναι μεν ενεργοποιημένη αλλά δεν χρησιμοποιείται πραγματικά. Αυτό μπορεί να μειώσει σημαντικά την επιβάρυνση των δονήσεων για τη συνολική διάρκεια της εργασίας.

Καθορίζετε πρόσθετα μέτρα ασφαλείας για την προστασία του χειριστή από την επίδραση των δονήσεων όπως παράδειγμα: Συντήρηση του ηλεκτρικού εργαλείου και των εργαλείων εφαρμογής, διατηρείτε ζεστά τα χέρια, οργάνωση των διαδικασιών εργασίας.

⚠ ΠΡΟΕΙΔΟΠΟΙΗΣΗ! Διαβάστε όλες τις Υποδείξεις ασφαλείας και τις Οδηγίες, και αυτές στο επισυναπτόμενο φυλλάδιο. Αμέλειες κατά την τήρηση των προειδοποιητικών υποδείξεων μπορεί να προκαλέσουν ηλεκτροπληξία, κίνδυνο πυρκαγιάς ή/και σοβαρούς τραυματισμούς. **Φυλάξτε όλες τις προειδοποιητικές υποδείξεις και οδηγίες για κάθε μελλοντική χρήση.**

ΕΙΔΙΚΕΣ ΥΠΟΔΕΙΞΕΙΣ ΑΣΦΑΛΕΙΑΣ

Κοινές προειδοποιητικές υποδείξεις για και λείανση με σμυριδόχαρτο και για στίλβωση

a) Αυτό το ηλεκτρικό εργαλείο πρέπει να χρησιμοποιείται σαν για στίλβωση καθώς (μόνο AP 12 E) και λειαντήρας με σμυριδόχαρτο (μόνο AS 12 E). Να λαμβάνετε πάντοτε υπόψη σας όλες τις προειδοποιητικές υποδείξεις, τις οδηγίες, τις απεικονίσεις και τα στοιχεία που σας παραδίνονται μαζί με το ηλεκτρικό εργαλείο. Η μη τήρηση των οδηγιών που ακολουθούν, μπορεί να οδηγήσει σε ηλεκτροπληξία, φωτιά και/ή σε σοβαρούς τραυματισμούς

b) Αυτό το ηλεκτρικό εργαλείο δεν είναι κατάλληλο για λείανση με γυαλόχαρτο (μόνο AP 12 E), για γυάλισμα (μόνο AS 12 E), κόψιμο και ξεχόνδρισμα και εργασίες με μεταλλικές βούρτσες. Χρήσεις, οι οποίες δεν προβλέπονται για το ηλεκτρικό εργαλείο μπορούν να οδηγήσουν σε κινδύνους και να προκαλέσουν τραυματισμούς.

γ) Μη χρησιμοποιήσετε ποτέ εξαρτήματα που δεν προβλέπονται και δεν προτάθηκαν από τον κατασκευαστή ειδικά γι' αυτό το ηλεκτρικό εργαλείο. Μόνο η διαπίστωση ότι μπορείτε να στερεώσετε ένα εξάρτημα στο ηλεκτρικό εργαλείο σας δεν εγγυάται την ασφαλή χρήση του.

δ) Ο μέγιστος επιτρεπτός αριθμός στροφών του εργαλείου που χρησιμοποιείτε πρέπει να είναι τουλάχιστον τόσο υψηλός όσο ο μέγιστος αριθμός στροφών που αναφέρεται επάνω στο ηλεκτρικό εργαλείο. Εξαρτήματα που περιστρέφονται με ταχύτητα μεγαλύτερη από την επιτρεπτή μπορεί να καταστραφούν.

ε) Η εξωτερική διάμετρος και το πάχος του εργαλείου που χρησιμοποιείτε πρέπει να ανταποκρίνονται πλήρως στις αντίστοιχες διαστάσεις του ηλεκτρικού εργαλείου σας. Εργαλεία με εσφαλμένες διαστάσεις δεν μπορούν να καλυφθούν ή να ελεγχθούν ασφαλώς.

στ) Οι δίσκοι κοπής, οι φλάντζες, οι δίσκοι λείανσης ή άλλα εξαρτήματα πρέπει να ταιριάζουν ακριβώς επάνω στον άξονα του ηλεκτρικού εργαλείου σας. Εργαλεία που δεν ταιριάζουν ακριβώς επάνω στον άξονα περιστρέφονται ανομοιόμορφα, τραντάζονται πολύ ισχυρά και μπορεί να οδηγήσουν σε απώλεια του ελέγχου του ηλεκτρικού εργαλείου.

ζ) Μη χρησιμοποιείτε χαλασμένα εργαλεία. Να ελέγχετε πάντοτε τα εργαλεία που πρόκειται να χρησιμοποιήσετε, π. χ. του δίσκους λείανσης για ρωγμές, φθορές ή ξεφτίσματα. Σε περίπτωση που το ηλεκτρικό εργαλείο ή κάποιο χρησιμοποιήσιμο εργαλείο πέσει κάτω, τότε ελέγξτε το εργαλείο μήπως έχει υποστεί κάποια βλάβη ή χρησιμοποιήστε ένα άλλο, άψογο εργαλείο. Μετά τον έλεγχο και την τοποθέτηση του εργαλείου που πρόκειται να χρησιμοποιήσετε πρέπει να απομακρύνετε τυχόν παρευρισκόμενα πρόσωπα από το επίπεδο περιστροφής του εργαλείου, κι ακολουθών ν' αφήσετε το ηλεκτρικό εργαλείο να εργαστεί ένα λεπτό υπό το μέγιστο αριθμό στροφών χωρίς φορτίο. Τυχόν χαλασμένα εργαλεία σπάνε ως επί το πλείστον κατά τη διάρκεια αυτού του χρόνου δοκιμής.

η) Να φοράτε πάντοτε τη δική σας, ατομική προστατευτική ενδυμασία. Να χρησιμοποιείτε επίσης, ανάλογα με την εκάστοτε εργασία που εκτελείτε, προστατευτικές μασκές, προστατευτικές διατάξεις ματιών ή προστατευτικά γυαλιά. Αν χρειαστεί, φορέστε και μασκα προστασίας από σκόνη, ωτασπίδες προστατευτικά γάντια ή μια ειδική προστατευτική ποδιά, που θα σας προστατεύει από τυχόν εκσφενδονιζόμενα λειαντικά σωματίδια ή θραύσματα υλικού. Τα μάτια πρέπει να προστατεύονται από τυχόν αιωρούμενα σωματίδια που μπορεί δημιουργηθούν κατά την εκτέλεση των διάφορων εργασιών. Οι αναπνευστικές και οι προστατευτικές μασκές πρέπει να φιλτράρουν τον αέρα και να συγκρατούν τη σκόνη που δημιουργείται κατά την εργασία. Σε

περίπτωση που εκτεθείτε για πολύ χρόνο σε ισχυρό θόρυβο μπορεί να απώλεσετε την ακοή σας.

ια) Φροντίστε, τυχόν παρευρισκόμενα άτομα να βρίσκονται πάντοτε σε ασφαλή απόσταση από τον τομέα που εργάζεσθε. Κάθε άτομο που μπαίνει στον τομέα που εργάζεσθε πρέπει να φορά προστατευτική ενδυμασία. Θραύσματα του υπό καταργασία τεμαχίου ή σπασμένων εργαλείων μπορεί να εκσφενδονιστούν και να προκαλέσουν τραυματισμούς ακόμη κι εκτός του άμεσου τομέα εργασίας.

ιβ) Να πιάνετε το ηλεκτρικό εργαλείο μόνο από τις προβλεπόμενες γ'ι' αυτό το σκοπό μονωμένες επιφάνειές του, όταν εκτελείτε εργασίες στις οποίες υπάρχει κίνδυνος το εργαλείο που χρησιμοποιείτε να συναντήσει ηλεκτροφόρους αγωγούς ή το δικό του ηλεκτρικό καλώδιο. Η επαφή μ' ένα ηλεκτροφόρο αγωγό θέτει τα μεταλλικά τμήματα του ηλεκτρικού εργαλείου επίσης υπό τάση και οδηγεί έτσι σε ηλεκτροπληξία.

ιγ) Να κρατάτε και να οδηγείτε το ηλεκτρικό καλώδιο σε ασφαλή απόσταση από τα περιστρεφόμενα εργαλεία. Σε περίπτωση που χάσετε τον έλεγχο του ηλεκτρικού εργαλείου το ηλεκτρικό καλώδιο μπορεί να κοπεί ή να περιπλεχτεί και το χέρι σας ή το μπράτσο σας να τραβηχτεί επάνω στο περιστρεφόμενο εργαλείο.

ιδ) Μην αποθέσετε ποτέ το ηλεκτρικό εργαλείο πριν το τοποθετημένο εργαλείο πάψει εντελώς να κινείται. Το περιστρεφόμενο εργαλείο μπορεί να έρθει σε επαφή με την επιφάνεια στην οποία ακουμπήσατε το ηλεκτρικό εργαλείο κι έτσι να χάσετε τον έλεγχο του.

ιε) Μην αφήσετε ο ηλεκτρικό εργαλείο να εργάζεται όταν το μεταφέρετε. Τα ρούχα σας μπορεί να τυλιχτούν τυχαίως στο περιστρεφόμενο εργαλείο κι αυτό να τρυπήσει το σώμα σας.

ις) Να καθαρίζετε τακτικά τις σχισμές αερισμού του ηλεκτρικού εργαλείου σας. Η περρωτή του κινητήρα τραβάει σκόνη μέσα στο περιβλήμα και η συσσώρευση μεταλλικής σκόνης μπορεί να δημιουργήσει ηλεκτρικούς κινδύνους.

ιστ) Μην χρησιμοποιείτε το ηλεκτρικό εργαλείο κοντά σε εύφλεκτα υλικά. Ο σπινθηρισμός μπορεί να τα αναφλέξει.

ιζ) Μην χρησιμοποιείτε εργαλεία που απαιτούν ψύξη με ψυκτικά υγρά. Η χρήση νερού ή άλλων ψυκτικών υγρών μπορεί να οδηγήσει σε ηλεκτροπληξία.

Κλότσημα και σχετικές προειδοποιητικές υποδείξεις

Το κλότσημα είναι μια απροσδόκητη αντίδραση όταν το περιστρεφόμενο εργαλείο, π. χ. ο δίσκος κοπής, ο δίσκος λείανσης, η σαρματόβουρτσα κτλ., προσκρούσει κάπου (σκονάψει) ή μπλοκάρει. Το σφηνώμα ή το μπλοκάρισμα οδηγεί στην απότομη διακοπή της περιστροφής του εργαλείου. Έτσι, ένα τυχόν μη υπό έλεγχο ευρισκόμενο ηλεκτρικό εργαλείο αντιδρά στο σημείο μπλοκαρίσματος/πρόσκρουσης με σφοδρότητα και περιστρέφεται με συνεχώς αυξανόμενη ταχύτητα με αντίθετη από εκείνη του εργαλείου.

Όταν π. χ. ένας δίσκος κοπής σφηνώσει ή μπλοκάρει μέσα στο υπό καταργασία υλικό, τότε η ακμή του δίσκου που βυθίζεται μέσα στο υλικό μπορεί να στρεβλώσει και ακολούθως ο δίσκος κοπής να πεταχτεί με ορμή και ανεξέλεγκτα από το υλικό ή να προκαλέσει κλότσημα. Όταν συμβεί αυτό ο δίσκος κοπής κινείται με κατεύθυνση προς το χειριστή/τη χειρίστρια ή και αντίθετα, ανάλογα με τη φορά περιστροφής στο σημείο μπλοκαρίσματος.

Το κλότσημα είναι το αποτέλεσμα ενός εσφαλμένου ή ελλιπού χειρισμού του ηλεκτρικού εργαλείου και μπορεί να αποφευχθεί με λήψη κατάλληλων προληπτικών μέτρων, σαν αυτά που περιγράφονται παρακάτω.

α) Να κρατάτε το ηλεκτρικό εργαλείο πάντοτε καλά και να παίρνετε με το σώμα σας μόνο θέσεις, στις οποίες θα μπορούσατε να αντιμετωπίσετε επιτυχώς ένα ενδεδειγμένο κλότσημα. Να χρησιμοποιείτε πάντοτε την πρόσθετη λαβή, αν αυτή φυσικά υπάρχει, για να εξασφαλίσετε έτσι το μέγιστο δυνατό έλεγχο του ηλεκτρικού εργαλείου σε περίπτωση εμφάνισης ανάστροφων και αντίρροπων δυνάμεων (π. χ. κλότσημα) κατά την εκκίνηση. Ο χειριστής/η χειρίστρια μπορεί να αντιμετωπίσει με επιτυχία τα κλότσηματα και τις ανάστροφες ροπές.

β) Μη βάζετε ποτέ τα χέρια σας κοντά στα περιστρεφόμενα εργαλεία. Σε περίπτωση κλότσηματος το εργαλείο μπορεί να περάσει πάνω από το χέρι σας.

γ) Μην παίρνετε με το σώμα σας θέσεις προς τις οποίες θα κινήθει το ηλεκτρικό εργαλείο σε περίπτωση κλότσηματος. Κατά το κλότσημα το ηλεκτρικό εργαλείο κινείται ανεξέλεγκτα με κατεύθυνση αντίθετη προς τη φορά περιστροφής του δίσκου λείανσης στο σημείο μπλοκαρίσματος.

γ) Να εργάζεσθε με ιδιαίτερη προσοχή σε γωνίες, κοφτερές ακμές κτλ. Φροντίστε, το λειαντικό εργαλείο να μην αναπινάξει έξω από το υπό καταργασία υλικό και να μη σφηνώσει σ' αυτό. Το περιστρεφόμενο λειαντικό εργαλείο σφηνώνει εύκολα κατά την εργασία σε γωνίες και σε κοφτερές ακμές ή όταν εκπινάζεται. Αυτό προκαλεί κλότσημα ή απώλεια του ελέγχου.

δ) Μην χρησιμοποιείτε τσαπραζωμένες ή οδοντωτές πριονόλεμες. Τα εργαλεία αυτά προκαλούν συχνά κλότσημα ή οδηγούν σε απώλεια του ελέγχου του ηλεκτρικού εργαλείου.

AS 12 E:

Ιδιαίτερες προειδοποιητικές υποδείξεις για εργασίες λείανσης με σμυριδόχαρτο

α) Μην χρησιμοποιείτε υπερμεγέθη σμυριδόφυλλα αλλά τηρείτε τις συστάσεις του κατασκευαστή για το μέγεθος των σμυριδόφυλλων. Σμυριδόφυλλα που προξέχουν από το δίσκο λείανσης μπορεί να προκαλέσουν τραυματισμούς, να οδηγήσουν σε μπλοκάρισμα, να σχιστούν ή να προκαλέσουν κλότσημα.

AP 12 E:

Ιδιαίτερες προειδοποιητικές υποδείξεις για εργασίες στίλβωσης

α) Ο σκούφος στίλβωσης και τα διάφορα εξαρτήματά του, ιδιαίτερα ο σπάγκος πρόσδεσης, δεν επιτρέπεται να είναι χαλαρά. Να σκεπάζετε ή να κοντώνετε το σπάγκο στερέωσης του σκούφου στίλβωσης. Ένας χαλαρός, περιστρεφόμενος σπάγκος μπορεί να μπερδεύει στα δάχτυλά σας ή να εμπλακεί στο υπό καταργασία τεμάχιο.

Οι πρίζες στους εξωτερικούς χώρους πρέπει να είναι εξοπλισμένες με μικροαυτόματους διακόπτες προστασίας (FI, RCD, PRCD). Αυτό απαιτεί ο σχετικός κανονισμός από την ηλεκτρική σας εγκατάσταση. Προσέξτε παρακαλώ αυτό το σημείο κατά τη χρήση της συσκευής μας.

Τα γρέζια ή τα σκλήθρες δεν επιτρέπεται να απομακρύνονται με κινούμενη τη μηχανή.

Συνδέστε τη μηχανή στην πρίζα μόνο, εφόσον βρίσκεται απενεργοποιημένη.

Μην απλώνετε τα χέρια σας στην επικίνδυνη περιοχή της κινούμενης μηχανής.

Χρησιμοποιείτε πάντοτε την πρόσθετη χειρολαβή.

Θέστε τη συσκευή αμέσως εκτός λειτουργίας, όταν παρουσιαστούν σημαντικοί κραδασμοί ή διαπιστωθούν άλλα ελαττώματα. Ελέγξτε τη μηχανή, για να διαπιστώσετε την αιτία.

Χρησιμοποιείτε και φυλάγετε τους δίσκους λείανσης πάντοτε σύμφωνα με τα στοιχεία του κατασκευαστή.

Κατά την λείανση/τρόχισμα των μετάλλων δημιουργούνται σπινθήρες. Προσέχετε, να μην τεθεί σε κίνδυνο κανένα άτομο. Λόγω του κινδύνου πυρκαγιάς δεν επιτρέπεται να βρίσκονται κοντά εύφλεκτα υλικά (περιοχή εκτόξευσης των σπινθήρων). Μην χρησιμοποιείτε καμία διάταξη αναρρόφηση σκόνης.

Κρατάτε τη συσκευή πάντοτε έτσι, ώστε οι σπινθήρες ή τα ρινίσματα τροχίσματος να απομακρύνονται από το σώμα σας.

Το φλαντζωτό παξιμάδι πρέπει να έχει σφικτεί πριν τη θέση σε λειτουργία της μηχανής.

Το προς επεξεργασία κομμάτι πρέπει να σφικτεί καλά, όταν δεν μπορεί να κρατηθεί με το ίδιο του το βάρος. Μην κρατάτε ποτέ το επεξεργαζόμενο κομμάτι με το χέρι ενάντια στο δίσκο.

Σε ακραίες συνθήκες χρήσης (π. χ. ξεχόνδρισμα μετάλλων με τον ελαστικό δίσκο και τα λειαντικά φίμπερ) μπορεί να αναπτυχθεί πολύ βρομιά στο εσωτερικό του γωνιακού τροχού. Σε τέτοιες συνθήκες χρήσης απαιτείται για λόγους ασφαλείας ένας επιμελής καθαρισμός στο εσωτερικό από τις εναποθέσεις μετάλλου και οπωσδήποτε η σύνδεση σ' ένα διακόπτη προστασίας σφάλματος γείωσης (GFCI). Μετά από μια ενεργοποίηση του διακόπτη προστασίας σφάλματος γείωσης (GFCI) πρέπει το εργαλείο να αποσταλεί για επίσκεψη.

Για εργαλεία στα οποία προσαρμόζεται τροχός με σπειρωτή οπή, βεβαιωθείτε ότι το σπείρωμα στον τροχό έχει αρκετό μήκος ώστε να ανταποκρίνεται στο μήκος του άξονα.

ΧΡΗΣΗ ΣΥΜΦΩΝΑ ΜΕ ΤΟ ΣΚΟΠΟ ΠΡΟΟΡΙΣΜΟΥ

AP 12 E: Η συσκευή γυαλισματος χρησιμοποιείται για το γυάλισμα βαφών, επικαλύψεων, πλαστικών και άλλων λείων επιφανειών.

AS 12 E: Ο λειαντήρας φινιρίσματος είναι κατάλληλος για τη λείανση επιφανειών από ξύλο, πλαστικό και μέταλλο.

Αυτή η συσκευή επιτρέπεται να χρησιμοποιηθεί μόνο σύμφωνα με τον αναφερόμενο σκοπό προορισμού.

ΔΗΛΩΣΗ ΠΙΣΤΟΤΗΤΑΣ ΕΚ

Δηλώνουμε με αποκλειστική μας ευθύνη, ότι αυτό το προϊόν ανταποκρίνεται στα ακόλουθα πρότυπα ή έγγραφα τυποποίησης, EN 60745, EN 55014-1, EN 55014-2, EN 61000-3-2, EN 61000-3-3, σύμφωνα με τις διατάξεις των οδηγιών 2006/42/ΕΚ, 2004/108/ΕΚ



Winnenden, 2010-01-10

Rainer Kumpf
Manager Product Development

Εξουσιοδοτημένος να συντάξει τον τεχνικό φάκελο.

ΣΥΝΔΕΣΗ ΣΤΟ ΗΛΕΚΤΡΙΚΟ ΔΙΚΤΥΟ

Συνδέστε μόνο σε μονοφασικό εναλλασσόμενο ρεύμα και μόνο σε τάση δικτύου όπως αναφέρεται στην πινακίδα τεχνικών χαρακτηριστικών. Η σύνδεση είναι επίσης εφικτή σε πρίζες χωρίς προστασία επαφής, διότι υπάρχει μια δομή της κατηγορίας προστασίας II.

ΣΥΝΤΗΡΗΣΗ

Διατηρείτε πάντοτε τις σχισμές εξαερισμού της μηχανής καθαρές.

Χρησιμοποιείτε μόνο εξαρτήματα και ανταλλακτικά της AEG. Αναθέστε την αλλαγή των εξαρτημάτων, των οποίων η αντικατάσταση δεν έχει περιγραφεί, σ' ένα κέντρο σέρβις της AEG (προσέξτε το εγχειρίδιο Εγγύησης/Διευθύνσεις εξυπηρέτησης πελατών).

Όταν χρειάζεται, μπορείτε να ζητήσετε ένα σχέδιο συναρμολόγησης της συσκευής, δίνοντας τον τύπο της μηχανής και το δεκαψήφιο αριθμό στην πινακίδα ισχύος, από το κέντρο σέρβις ή απευθείας από τη φίρμα AEG Elektrowerkzeuge, Max-Eyth-Straie 10, D-71364 Winnenden, Germany.

ΣΥΜΒΟΛΑ



Παρακαλώ διαβάστε σχολαστικά τις οδηγίες χρήσης πριν από την έναρξη λειτουργίας.



Στις εργασίες με τη μηχανή φοράτε πάντοτε προστατευτικά γυαλιά.



Πριν από κάθε εργασία στη μηχανή τραβάτε το φις από την πρίζα.



Εξαρτήματα - Δεν περιλαμβάνονται στα υλικά παράδοσης, συστατούμενη προσθήκη από το πρόγραμμα εξαρτημάτων.



Μην πετάτε τα ηλεκτρικά εργαλεία στον κόδο οικιακών απορριμμάτων! Σύμφωνα με την ευρωπαϊκή οδηγία 2002/96/ΕΚ περί ηλεκτρικών και ηλεκτρονικών συσκευών και την ενσωμάτωσή της στο εθνικό δίκαιο, τα ηλεκτρικά εργαλεία πρέπει να συλλέγονται ξεχωριστά και να πιστρέφονται για ανακύκλωση με τρόπο φιλικό προς το περιβάλλον.

TEKNİK VERİLER	Polisaj aleti/Taşlama aleti	AP 12 E	AS 12 E
Giriş gücü		1200 W	1200 W
Çıkış gücü.....		600 W	600 W
Boştaki devir sayısı.....		900-2500 min ⁻¹	1800-4800 min ⁻¹
Boştaki devir sayısı.....		4700 min ⁻¹	9000 min ⁻¹
taşılama disk çapı		150 mm	180 mm
Mil dişi		M 14	M 14
Ağırlığı, şebeke kablosuz		2,2 kg	2,5 kg

Gürültü/Vibrasyon bilgileri

Ölçüm değerleri EN 60 745 e göre belirlenmektedir.

Aletin, frekansa bağımlı uluslararası ses basıncı seviyesi değerlendirme eğrisi A'ya göre tipik gürültü seviyesi:

Ses basıncı seviyesi (K = 3 dB(A)).....	82 dB(A)	82 dB(A)
Akustik kapasite seviyesi (K = 3 dB(A))	93 dB(A)	93 dB(A)

Koruyucu kulaklık kullanın!

Toplam titreşim değeri (üç yönün vektör toplamı) EN 60745'e göre belirlenmektedir:

Polisaj:Esname emisyon değeri a _w	<2,5 m/s ²	- m/s ²
Tolerans K =	1,5 m/s ²	- m/s ²
Plastik taşılama tabağı ile taşıma: Esname emisyon değeri a _w	- m/s ²	2,8 m/s ²
Tolerans K =	- m/s ²	1,5 m/s ²

UYARI

Bu talimatlarda belirtilen titreşim seviyesi, EN 60745 standardına uygun bir ölçme metodu ile ölçülmüştür ve elektrikli el aletleri birbiriyle karşılaştırmak için kullanılabilir. Ölçüm sonuçları ayrıca titreşim yükünün geçici değerlendirmesi için de uygundur.

Belirtilen titreşim seviyesi, elektrikli el aletin genel uygulamaları için geçerlidir. Ancak elektrikli el aleti başka uygulamalar için, farklı eklenti parçalarıyla ya da yetersiz bakım koşullarında kullanılırsa, titreşim seviyesi farklılık gösterebilir. Bu durumda, titreşim yükü toplam çalışma zaman aralığı içerisinde belirgin ölçüde yükselebilir.

Titreşim yükünün tam bir değerlendirmesi için ayrıca cihazın kapalı olduğu süreler ve cihazın çalışır durumda olduğu, ancak gerçek kullanımda bulunmadığı süreler de dikkate alınmalıdır. Böylelikle, toplam çalışma zamanı aralığı boyunca meydana gelen titreşim yükü belirgin ölçüde azaltılabilir.

Kullanıcıyı titreşimlerin etkisinden korumak üzere, örneğin elektrikli el aletlerinin ve eklenti parçalarının bakımı, ellerin sıcak tutulması ve iş aklarının organizasyonu gibi ek güvenlik tedbirleri belirleyiniz.

⚠ UYARI! Güvenlikle ilgili bütün açıklamaları, talimatları ve ilişikteki broşürde yazılı bulunan hususları okuyunuz. Açıklanan uyarılara ve talimat hükümlerine uyulmadığı takdirde elektrik çarpmalarına, yangınlara ve/veya ağır yaralanmalara neden olunabilir. **Bütün uyarıları ve talimat hükümlerini ileride kullanmak üzere saklayın.**

GÜVENLİĞİNİZ İÇİN TALİMATLAR

Kumlu zımpara kağıdı ile zımparalama ve polisaj için müşterek uyarılar:

a) Bu elektrikli el aleti kumlu zımpara kağıdı ile zımparalama olarak kullanılmak üzere geliştirilmiştir (sadece şu tiplerde AP 12 E) ve polisaj (sadece şu tiplerde AS 12 E). Elektrikli el aleti ile birlikte teslim edilen bütün uyarılara, talimata, şekillere ve verilere uyun hareket edin. Aşağıdaki talimat hükümlerine uymadığınız takdirde elektrik çarpması, yangın veya ağır yaralanma tehlikesi ile karşılaşabilirsiniz.

b) Bu elektrikli alet zımpara kağıdı taşılaması (sadece şu tiplerde AP 12 E) ve polosağ (sadece şu tiplerde AS 12 E) yapılması için uygun değildir, ayırma ve kaba taşılama ile tel fırça ve ayırma taşılatıcıları. Elektrikli alet için öngörülmeven kullanımlar risklere ve yaralanmalara sebebiyet verebilir.

c) Üretici tarafından özel olarak bu alet öngörülmeven ve tavsiye edilmeyen aksesuar kullanmayın. Bir aksesuar elektrikli el aletinize takılabiliyor olmanız güvenli kullanımı garanti etmez.

d) Kullanılan ucun müsaade edilen devir sayısı en azından elektrikli el aletin tip etiketinde belirtilen devir sayısı kadar olmalıdır. Müsaade edilenden hızlı dönen aksesuar kırılabilir ve etrafa yayılabilir.

e) Kullanılan ucun dış çapı ve kalınlığı elektrikli el aletinizin ölçülerine uymalıdır. Ölçüsü uygun olmayan uçlar yeterli derecede kapatılamaz veya kontrol edilemez.

k) Şebeke bağlantı kablosunu dönen uçlardan uzak tutun. Elektrikli el aletin kontrolünü kaybederseniz, şebeke bağlantı kablosu ayrılabilir veya uç tarafından tutulabilir ve el veya kollarınız dönmekte olan uca temas edebilir.

l) Uç tam olarak durmadan elektrikli el aletini elinizden bırakmayın. Dönmekte olan uç aleti bırakacağınız yüzeye temas edebilir ve elektrikli el aletin kontrolünü kaybedebilirsiniz.

m) Elektrikli el aletini çalışır durumda taşımayın.

Giysileriniz rastlantı sonucu dönmekte olan uç tarafından tutulabilir ve uç bedeninize temas edebilir.

n) Elektrikli el aletinizin havalandırma deliklerini düzenli olarak temizleyin. Motor fanı tozu gövdeye çeker ve metal tozunun aşırı birikimi elektrik çarpma tehlikesini ortaya çıkarır.

o) Elektrikli el aletini yanıcı malzemenin yakınında kullanmayın. Kıvılcımlar bu malzemeyi tutuşturabilir.

p) Sıvı soğutucu madde gerektiren uçları kullanmayın. Suyun veya diğer sıvı soğutucu maddenin kullanımı elektrik çarpmasına neden olabilir.

Geri tepme ve buna ait uyarılar

Geri tepme, dönmekte olan taşılama disk, zımpara tablası, tel fırça ve benzeri uçların takılması veya bloke olması sonucu ortaya çıkan ani tepkidir. Takılma ve blokaj dönmekte olan ucun ani olarak durmasına neden olur. Bu gibi durumlarda elektrikli el aleti blokaj yerinden ucun dönme yönünün tersine doğru savrulur.

Örneğin bir taşılama diski iş parçası içinde takılır veya bloke olursa, taşılama diskinin içine giren kenarı tutulur ve disk kırılır veya geri tepme kuvvetinin ortaya çıkmasına neden olur. Bu durumda taşılama diski blokaj yerinden, diskin dönme yönüne bağlı olarak kullanıcıya doğru veya kullanıcının tersine hareket eder.

Geri tepme kuvveti elektrikli el aletin yanlış veya hatalı kullanımı sonucu ortaya çıkar. Geri tepme kuvvetleri aşağıda açıklanan koruyucu önlemlerle önlenir.

a) Elektrikli el aletini sıkıca tutun ve bedeniniz ile ellerinizi geri tepme kuvvetlerini rahatça karşılayabilecek duruma getirin. Alet hızlanırken ortaya çıkabilecek geri tepme kuvvetlerini veya reaksiyon momentlerini optimal ölçüde karşılayabilmek için eğer varsa her zaman ek tutamağı kullanın. Kullanıcı uygun önlemler olarak geri tepme ve reaksiyon kuvvetlerine hakim olabilir.

b) Elinizi hiçbir zaman dönen ucun yakınına getirmeyin. Uç geri tepme sırasında elinize doğru hareket edebilir.

c) Bedeninizi geri tepme sırasında elektrikli el aletin hareket edebileceği alandan uzak tutun. Geri tepme kuvveti elektrikli el aletini blokaj yerinden taşılama diskinin dönme yönünün tersine doğru iter.

d) Özellikle köşeleri, keskin kenarları ve benzerlerini işlerken dikkatli olun. Ucun iş parçasından dışarı çıkmasını ve takılıp sıkışmasını önleyin. Dönmekte olan uç köşelerde, keskin kenarlarda çalışırken sıkışmaya eğilimlidir. Bu ise kontrol kaybına veya geri tepmeye neden olur.

e) Zincir veya dişli testere bıçağı kullanmayın. Bu gibi uçlar sık sık geri tepme kuvvetine veya elektrikli el aletin kontrolünün kaybedilmesine neden olur.

AS 12 E:

Zımpara kağıtları ile çalışmaya ait özel uyarılar

a) Boyutları yüksek zımpara kağıtlarını kullanmayın, zımpara kağıtları için üreticinin verilerine uyun. Zımpara tablasından dışarı çıkıntı yapan zımpara kağıtları yaralanmalara neden olabilirler, blokaja neden olabilirler, yırtılabilirler veya geri tepme kuvvetlerinin oluşmasına neden olabilirler.

AP 12 E:

Zımpara kağıtları ile çalışmaya ait özel uyarılar

a) Boyutları yüksek zımpara kağıtlarını kullanmayın, zımpara kağıtları için üreticinin verilerine uyun. Zımpara tablasından dışarı çıkıntı yapan zımpara kağıtları yaralanmalara neden olabilirler, blokaja neden olabilirler, yırtılabilirler veya geri tepme kuvvetlerinin oluşmasına neden olabilirler.

Açık havadaki prizler hatalı akım koruma şalteri (FI, RCD, PRCD) ile donatılmış olmalıdır. Bu, elektrik tesisatınızdaki bir zorunluluktur. Lütfen aletimizi kullanırken bu hususa dikkat edin.

Alet çalışır durumda iken talaş ve kırıntılar temizlemeye çalışmayın.

Aleti sadece kapalı iken prize takın.

Aletin tehlikeli olabilecek bölümlerini tutmayın.

Daima ilave sapı kullanın.

Hissedilir ölçüde titreşim oluşmaya başlarsa veya normal olmayan başka aksaklıklar ortaya çıkarsa aleti hemen kapatın. Bu aksaklıkların nedenini belirlemek için aleti kontrol edin.

Taşılama disklerini daima üreticinin talimatına uygun olarak kullanın ve saklayın.

Taşılama işlemi sırasında ortaya çıkan kıvılcımlara dikkat edin, yanıcı malzemeler tutuşabilir.

Aleti daima, kıvılcımlar veya taşılama tozu bedeninizden uzaklaşacak biçimde tutun.

Taşları keserken klavuz kızıcağın kullanılması zorunludur.

Kendi ağırlığı ile güvenli biçimde durmuyorsa iş parçasının uygun bir tertibatla sıkıca tespit edilmesi gerekir. İş parçasını hiçbir zaman elinizle sıkıca tutmayın.

Aşırı kullanım koşullarında (örneğin destek levhali metallerin ve volkan ateşli taşılama levhalarının düz olarak taşlanması) açılı taşılamasının iç kısmında kuvvetli bir kirlenme oluşabilir. Böyle kullanım koşullarında güvenlik sebeplerinden dolayı iç bölüm metal çöküntülerinden esaslı bir şekilde temizlenmeli ve hatalı elektrik akımı (FI) koruyucu şalterin zorunlu olarak deneme devresine sokulması gerekir. FI koruyucu şalteri okuturduktan sonra makinenin tamir edilmek üzere gönderilmesi gerekir.

Klavuz delikli teker takılacak olan aletlerde, tekerdeki klavuzun mil uzunluğunu kabul edecek kadar uzun olmasına dikkat edin.

KULLANIM

AP 12 E: Polisaj uçları lakların, kaplamaların, plastiklerin ve diğer parlak yüzeyli malzemenin polisajı için kullanılabilir.

AS 12 E: Bu titreşimli zımpara makinesi, tahta, Q32 ve metal malzemenin düz yüzeylerini zımparalama işleri için geliştirilmiştir.

Bu alet sadece belirttiği gibi ve usulüne uygun olarak kullanılabilir.

CE UYGUNLUK BEYANI

Tek sorumlu olarak bu ürünün 2006/42/EG, 2004/108/EG yönetmelik hükümleri uyarınca aşağıdaki normlara ve norm dokümanlarına uygunluğunu beyan ederiz: EN 60745, EN 55014-1, EN 550142, EN 61000-3-2, EN 61000-3-3.



Winnenden, 2010-01-10

Rainer Kumpf
Manager Product Development

Teknik evrakları hazırlamakla görevlendirilmiştir.

ŞEBEKE BAĞLANTISI

Aleti sadece tek fazlı alternatif akıma ve tip etiketi üzerinde belirtilen şebeke gerilimine bağlayın. Yapısı Koruma sınıfı II'ye girdiğinden alet koruyucu kontaklız prize de bağlanabilir.

BAKIM

Aletin havalandırma aralıklarını daima temiz tutun.

Sadece AEG aksesuarını ve yedek parçalarını kullanın. Değiştirilmesi açıklanmamış olan parçaları bir AEG müşteri servisinde değiştirin (Garanti broşürüne ve müşteri servisi adreslerine dikkat edin).

Gerektiği takdirde aletin dağınık görünüş şeması, alet tipinin ve tip etiketi üzerindeki on hanelik sayının bildirilmesi koşuluyla müşteri servisinden veya doğrudan AEG Elektrowerkzeuge, Max-Eyth-Straße 10, D-71364 Winnenden, Germany adresinden istenebilir.

SEMBOLLER



Lütfen aleti çalıştırmadan önce kullanma kılavuzunu dikkatli biçimde okuyun.



Aletle çalışırken daima koruyucu gözlük kullanın.



Aletin kendinde bir çalışma yapmadan önce fişi prizden çekin.



Aksesuar - Teslimat kapsamında değildir, önerilen tamamlamalar aksesuar programında.



Elektrikli el aletlerini evdeki çöp kutusuna atmayınız! Kullanılmıys elektrikli aletleri, elektrik ve elektronik eski cihazlar hakkındaki 2002/96/EC Avrupa yönergelerine göre ve bu yönergeler ulusal hukuk kurallarına göre uyarlanarak, ayrı olarak toplanmalı ve çevre şartlarına uygun bir şekilde tekrar değerlendirilmeye gönderilmelidir.

TECHNICKÁ DATA Leštička/Bruska brusným papírem

PE 150 / SE 12-180

Jmenovitý příkon	1200 W	1200 W
Odběr	600 W	600 W
Počet otáček při běhu naprázdno	900-2500 min ⁻¹	1800-4800 min ⁻¹
Volnoběžné otáčky max.	4700 min ⁻¹	9000 min ⁻¹
Průměr brusného kotouče	150 mm	150 mm
Závít vřetene	M 14	M 14
Hmotnost bez kabelu	2,1 kg	2,5 kg

Informace o hluku / vibracích

Naměřené hodnoty odpovídají EN 60745.

V třídě A posuzovaná hladina hluku přístroje činí typicky:

Hladina akustického tlaku (K=3 dB(A))	82 dB(A)	82 dB(A)
Hladina akustického výkonu (K=3 dB(A))	93 dB(A)	93 dB(A)

Používejte chrániče sluchu !

Celkové hodnoty vibrací (vektorový součet tří směrů) zjištěné ve smyslu EN 60745.

Leštění: hodnota vibračních emisí a _h	<2,5 m/s ²	- m/s ²
Kolisavost K =	1,5 m/s ²	- m/s ²
Broušení plastovým brusným kotoučem: hodnota vibračních emisí a _h	- m/s ²	2,8 m/s ²
Kolisavost K =	- m/s ²	1,5 m/s ²

VAROVÁNÍ

Úroveň chvění uvedená v tomto návodu byla naměřena podle metody měření stanovené normou EN 60745 a může být použita pro porovnání elektrického nářadí. Hodí se také pro průběžný odhad zatížení chvěním.

Uvedená úroveň chvění představuje hlavní účely použití elektrického nářadí. Jestliže se ale elektrické nářadí používá pro jiné účely, s odlišnými nástroji nebo s nedostatečnou údržbou, může se úroveň chvění odlišovat. To může značně zvýšit zatížení chvěním během celé pracovní doby.

Pro přesný odhad zatížení chvěním se musí také zohlednit časy, během kterých je přístroj vypnutý nebo kdy je sice v chodu, ale skutečně se s ním nepracuje. To může zatížení chvěním během celé pracovní doby značně snížit.

Stanovte doplňková bezpečnostní opatření pro ochranu obsluhy před účinky chvění jako například: technická údržba elektrického nářadí a nástrojů, udržování teploty rukou, organizace pracovních procesů.

VAROVÁNÍ! Seznamte se se všemi bezpečnostními pokyny a sice i s pokyny v příložené brožůře. Zanedbání při dodržování varovných upozornění a pokynů mohou mít za následek úder elektrickým proudem, požár a/nebo těžká poranění.
Všechna varovná upozornění a pokyny do budoucna uschovejte.

SPECIÁLNÍ BEZPEČNOSTNÍ UPOZORNĚNÍ

Společná varovná upozornění k smirkování a leštění:

a) Toto elektronářadí se používá jako leštička (pouze u AP 12 E) a bruska brusným papírem (pouze u AS 12 E). Dbejte všech varovných upozornění, pokynů, zobrazení a údajů, jež jste s elektronářadím obdrželi. Pokud následující pokyny nedodržíte, může to vést k úderu elektrickým proudem, požáru nebo těžkým poraněním.

b) Toto elektrické nářadí není vhodné k broušení smirkovým papírem (pouze u AP 12 E) k leštění (pouze u AS 12 E), řezání a hrubování brusným kotoučem a kartáčování. Použití tohoto elektrického nářadí k jiným než určeným účelům může vést k ohrožení zdraví a ke zranění.

c) Nepoužívejte žádné příslušenství, které není výrobcem speciálně pro toto elektronářadí určeno a doporučeno. Pouze to, že můžete příslušenství na Vaše elektronářadí upevnit, nezaručuje bezpečné použití.

d) Dovoleno počet otáček nasazovacího nástroje musí být minimálně tak vysoký, jako na elektronářadí uvedený nejvyšší počet otáček. Příslušenství, jež se otáčí rychleji než je dovoleno, se může rozlomit a rozletět.

e) Vnější rozměr a tloušťka nasazovacího nástroje musí odpovídat rozměrovým údajům Vašeho elektronářadí. Špatně dimenzované nasazovací nástroje nemohou být dostatečně stíněny nebo kontrolovány.

f) Brusné kotouče, příruby, brusné talíře nebo jiné příslušenství musí přesně lícovat na brusné vřeteno

Vašeho elektronářadí. Nasazovací nástroje, které přesně nelicují na brusné vřeteno elektronářadí, se nerovnoměrně točí, velmi silně vibrují a mohou vést ke ztrátě kontroly.

g) Nepoužívejte žádné poškozené nasazovací nástroje. Zkontrolujte před každým použitím nasazovací nástroje jako brusné talíře na trhliny, ořez nebo silné opotřebení. Spadne-li elektronářadí nebo nasazovací nástroj z výšky, zkontrolujte zda není poškozený nebo použijte nepoškozený nasazovací nástroj. Pokud jste nasazovací nástroj zkontrolovali a nasadili, držte se Vy a v blízkosti nacházející se osoby mimo rovinu rotujícího nasazovacího nástroje a nechte stroj běžet jednu minutu s nejvyššími otáčkami. Poškozené nasazovací nástroje většinou v této době testování prasknou.

h) Noste osobní ochranné vybavení. Podle aplikace použijte ochranu celého obličejce, ochranu očí nebo ochranné brýle. Taktéž adekvátně noste ochrannou masku proti prachu, ochranu sluchu, ochranné rukavice nebo speciální zástěru, jež Vás ochrání před malými částicemi brusiva a materiálu. Oči mají být chráněny před odletujícími cizími tělisky, jež vznikají při různých aplikacích. Protiprachová maska či respirátor musejí při používání vznikatý prach odfiltrovat. Pokud jste dlouho vystaveni silnému hluku, můžete utrpět ztrátu sluchu.

i) Dbejte u ostatních osob na bezpečnou vzdálenost k Vaší pracovní oblasti. Každý, kdo vstoupí do této pracovní oblasti, musí nosit osobní ochranné vybavení. Úlomky obrobku nebo ulomených nasazovacích nástrojů mohou odlétnout a způsobit poranění i mimo přímou pracovní oblast.

j) Pokud provádíte práce, při kterých může nasazovací nástroj zasáhnout skrytá elektrická vedení nebo vlastní síťový kabel, pak uchopte elektronářadí pouze na izolovaných plochách držadla. Kontakt s vedením pod napětím přivádí napětí i na kovové díly elektronářadí a vede k úderu elektrickým proudem.

k) Držte síťový kabel daleko od otáčejících se nasazovacích nástrojů. Když ztratíte kontrolu nad strojem, může být přerušen nebo zachycen síťový kabel a Vaše ruka nebo paže se může dostat do otáčejícího se nasazovacího nástroje.

l) Nikdy neodkládejte elektronářadí dříve, než se nasazovací nástroj dostal zcela do stavu klidu. Otáčející se nasazovací nástroj se může dostat do kontaktu s odkládací plochou, čímž můžete ztratit kontrolu nad elektronářadím.

m) Nenechte elektronářadí běžet po dobu, co jej nesete. Váš oděv může být náhodným kontaktem s otáčejícím se nasazovacím nástrojem zachycen a nasazovací nástroj se může zavrtat do Vašeho těla.

n) Čistěte pravidelně větrací otvory Vašeho elektronářadí. Ventilátor motoru vtaňuje do tělesa prach a silně nahromadění kovového prachu může způsobit elektrická rizika.

o) Nepoužívejte elektronářadí v blízkosti hořlavých materiálů. Jiskry mohou tyto materiály zapálit.

p) Nepoužívejte žádné nasazovací nástroje, které vyžadují kapalně chladičí prostředky. Použití vody nebo jiných kapalných chladičích prostředků může vést k úderu elektrickým proudem.

Zpětný ráz a odpovídající varovná upozornění

Zpětný ráz je náhlá reakce v důsledku zaseknutého nebo zablokovaného otáčejícího se nasazovacího nástroje, jako je brusný kotouč, brusný talíř, drátěný kartáč atd. Zaseknutí nebo zablokování vede k náhlému zastavení rotujícího nasazovacího nástroje. Tím nekontrolovaně elektronářadí akceleruje v místě zablokování proti směru otáčení nasazovacího nástroje.

Pokud se např. zpřičí nebo zablokuje brusný kotouč v obrobku, může se hrana brusného kotouče, která se zanojuje do obrobku, zakousnout a tím brusný kotouč vylomí nebo způsobit zpětný ráz. Brusný kotouč se potom pohybuje k nebo od obsluhující osoby, podle směru otáčení kotouče na místě zablokování.

Zpětný ráz je důsledek nesprávného nebo chybného použití elektronářadí. Lze mu zabránit vhodnými preventivními opatřeními, jak je následně popsáno.

a) Držte elektronářadí dobře pevně a uveďte Vaše tělo a paže do polohy, ve které můžete zachytit síly zpětného rázu. Je-li k dispozici, používejte vždy přidavnou rukojeť, abyste měli co největší možnou kontrolu nad silami zpětného rázu nebo reakčních momentů při rozběhu. Obsluhující osoba může vhodnými preventivními opatřeními zvládnout síly zpětného rázu a reakčního momentu.

b) Nikdy nedávejte Vaši ruku do blízkosti otáčejících se nasazovacích nástrojů. Nasazovací nástroj se při zpětném rázu může pohybovat přes Vaši ruku.

c) Vyhýbejte se Vaším tělem oblastí, kam se bude elektronářadí při zpětném rázu pohybovat. Zpětný ráz vhání elektronářadí v místě zablokování do opačného směru k pohybu brusného kotouče.

d) Zvlášť opatrně pracujte v místech rohů, ostrých hran apod. Zabraňte, aby se nasazovací nástroj odrazil od obrobku a vzpřičil. Rotující nasazovací nástroj je u rohů, ostrých hran a pokud se odrazí náchylný na vzpřičení se. Toto způsobí ztrátu kontroly nebo zpětný ráz.

e) Nepoužívejte žádný článkový nebo ozubený pilový kotouč. Takoveto nasazovací nástroje způsobují často zpětný ráz nebo ztrátu kontroly nad elektronářadím.

AS 12 E:

Zvláštní varovná upozornění ke smírkování

a) Nepoužívejte žádné předimenzované brusné listy, ale dodržujte údaje výrobce k velikosti brusných listů. Brusné listy, které vyčnívají přes brusný talíř, mohou

způsobit poranění a též vést k zablokování, roztržení brusných listů nebo ke zpětnému rázu.

AP 12 E:

Zvláštní varovná upozornění k leštění

a) Nepřipust'te žádné uvolněné části na leštícím potahu, zvláště upevňovací provázek. Upevňovací provázky dobře urovnejte nebo zkraťte. Volné, spolu se otáčející upevňovací provázky mohou zachytit Vaše prsty nebo se zamotat do obrobku.

Ve venkovním prostředí musí být zásuvky vybaveny proudovým chráničem (FI, RCD, PRCD). Je to vyžadováno instalačním předpisem pro toto el.zařízení. Dodržujte ho při používání tohoto nářadí, prosím.

Pokud stroj běží, nesmí být odstraňovány třísky nebo odštěpky.

Stroj zapínat do zásuvky pouze když je vypnutý.

Nesahejte do nebezpečného prostoru běžícího stroje.

Vždy používejte doplňkové madlo.

Stroj okamžitě vypněte, zjistíte-li neobvyklé vibrace nebo jiné problémy. Stroj přezkoušejte, abyste zjistili příčinu problémů.

Kotouče používejte a skladujte podle doporučení výrobce.

Při broušení kovů odletují jiskry. Dbejte, aby nedošlo k poškození osob. V blízkosti (kam zaletují jiskry) se nesmí nacházet žádné hořlavé látky - nebezpečí požáru. Nepoužívejte odsavač prachu.

Stroj držte při práci tak, aby jiskry a brusný prach odletovaly od těla.

Upínací matice kotouče musí být před spuštěním stroje utažena.

Obráběný kus musí být řadně upnut, není-li dostatečně těžký.

Při extrémních pracovních podmínkách (např. při hladkém vybrušování kovů opěrným kotoučem a brusným kotoučem z vulkánfibru) se uvnitř ruční úhlové brusky mohou nahromadit nečistoty. Za těchto pracovních podmínek je bezpodmínečně nutné důkladně vyčistit vnitřní prostor a zbavit jej kovových usazenin a zařadit před brusku automatický spínač v obvodu diferencální ochrany. Po aktivaci tohoto spínače se musí úhlová bruska zaslat k opravě servisnímu středisku.

U brusiva vybaveného podložkou se závitem zajistit, aby byl závit dostatečně dlouhý pro hřídel.

OBLAST VYUŽITÍ

AP 12 E: Leštička je vhodná k leštění laků, umělých hmot a jiných hladkých ploch.

AS 12 E: Vibrační bruska je vhodná k plošnému broušení dřeva, umělých hmot a kovů.

Toto zařízení lze používat jen pro uvedený účel.

GE-PROHLÁŠENÍ O SHODĚ

Se vši zodpovědností prohlašujeme, že tento výrobek odpovídá následujícím normám a normativním dokumentům: EN 60745, EN 55014-1, EN 55014-2, EN 61000-3-2, EN 61000-3-3, v souladu se směrnicemi EHS č. 2006/42/EG, 2004/108/EG"



Winnenden, 2010-01-10

Rainer Kumpf
Manager Product Development

Zplnomocněn k sestavování technických podkladů.

PŘIPOJENÍ NA SÍŤ

Připojit pouze do jednofázové střídavé sítě o napětí uvedeném na štítku. Lze připojit i do zásuvky bez ochranného kontaktu neboť spotřebič je třídy II.

ÚDRŽBA

Větrací štěrbinu nářadí udržujeme stále čisté.

Používejte výhradně příslušenství a náhr.díly AEG. Díly jejichž výměna nebyla popsána nechte vyměnit v autorizovaném servisu AEG (Dbejte pokynů uvedených v záručním listě.)

Při potřebě podrobného rozkresu konstrukce, oslovte informaci o typu a desetimístním objednacím čísle přímo servis a nebo výrobce, AEG Elektrowerkzeuge, Max-Eyth-Straße 10, D-71364 Winnenden, Germany

SYMBOLY



Před spuštěním stroje si pečlivě přečtěte návod k používání.



Při práci se strojem neustále nosit ochranné brýle.



Před zahájením veškerých prací na vrtacím kladivu vytáhnout síťovou zástrčku ze zásuvky.



Příslušenství není součástí dodávky, viz program příslušenství.



Elektrické nářadí nevyhazujte do komunálního odpadu! Podle evropské směrnice 2002/96/EG o nakládání s použitými elektrickými a elektronickými zařízeními a odpovídajících ustanovení právních předpisu jednotlivých zemí se použitá elektrická nářadí musí sbírat odděleně od ostatního odpadu a podrobit ekologicky šetrnému recyklování.

TECHNICKÉ ÚDAJE	Leštička/Brúska	AP 12 E	AS 12 E
Menovitý príkon	1200 W	1200 W	1200 W
Výkon	600 W	600 W	600 W
Otáčky naprázdno	900-2500 min ⁻¹	1800-4800 min ⁻¹	1800-4800 min ⁻¹
Max. otáčky naprázdno	4700 min ⁻¹	9000 min ⁻¹	9000 min ⁻¹
Priemer brúsneho kotúča	150 mm	150 mm	150 mm
Závit vretena	M 14	M 14	M 14
Hmotnosť bez sieťového kábla	2,2 kg	2,2 kg	2,5 kg

Informácia o hluku / vibráciách

Namerané hodnoty určené v súlade s EN 60 745.

V triede A posudzovaná hladina hluku prístroja činí typicky:

Hladina akustického tlaku (K = 3 dB(A))	82 dB(A)	82 dB(A)
Hladina akustického výkonu (K = 3 dB(A))	93 dB(A)	93 dB(A)

Používajte ochranu sluchu!

Celkové hodnoty vibrácií (vektorový súčet troch smerov) zistené v zmysle EN 60745.

Leštenie: hodnota vibračných emisií a _v	<2,5 m/s ²	- m/s ²
Kolisavosť K	1,5 m/s ²	- m/s ²
Brúsenie s plastovým brúsnym kotúčom: hodnota vibračných emisií a _v	- m/s ²	2,8 m/s ²
Brúsenie s K	- m/s ²	1,5 m/s ²

POZOR

Úroveň vibrácií uvedená v týchto pokynoch bola nameraná meracou metódou, ktorú stanovuje norma EN 60745 a je možné ju použiť na vzájomné porovnanie elektrického náradia. Hodí sa aj na predbežné posúdenie kmitavého namáhania.

Uvedená úroveň vibrácií reprezentuje hlavné aplikácie elektrického náradia. Ak sa však elektrické náradie používa pre iné aplikácie, s odlišnými vloženými nástrojmi alebo s nedostatočnou údržbou, môže sa úroveň vibrácií líšiť. Toto môže kmitavé namáhanie v priebehu celej pracovnej doby podstatne zvýšiť.

Pre presný odhad kmitavého namáhania by sa mali tiež zohľadniť doby, v ktorých je náradie vypnuté alebo je síce v chode, ale v skutočnosti sa nepoužíva. Toto môže kmitavé namáhanie v priebehu celej pracovnej doby zreteľne redukovat'.

Stanovte dodatočné bezpečnostné opatrenia pre ochranu obsluhy pred účinkami vibrácií, ako napríklad: údržba elektrického náradia a vložených nástrojov, udržiavanie teploty rúk, organizácia pracovných postupov.

⚠ POZOR! Zoznámte sa so všetkými bezpečnostnými pokynmi a síce aj s pokynmi v priloženej brožúre. Zanedbanie dodržiavania Výstražných upozornení a pokynov uvedených v nasledujúcom texte môže mať za následok zásah elektrickým prúdom, spôsobiť požiar a/alebo ťažké poranenie. **Tieto Výstražné upozornenia a bezpečnostné pokyny starostlivo uschovajte na budúce použitie.**

ŠPECIÁLNE BEZPEČNOSTNÉ POKYNY

Bezpečnostné pokyny pre brúsenie brúsnym papierom a leštenie:

a) Toto ručné elektrické náradie sa používa ako leštička (len pri AP 12 E) a ako brúska na brúsenie skleneným papierom (len pri AS 12 E). Rešpektujte všetky výstražné upozornenia, pokyny, obrázky a údaje, ktoré ste dostali s týmto ručným elektrickým náradím. Ak by ste nedodržali nasledujúce pokyny, mohlo by to mať za následok zásah elektrickým prúdom, vznik požiaru a/alebo vážne poranenie.

b) Toto elektrické náradie nie je vhodné k brúseniu šmirgľovým papierom (len pri AP 12 E), k lešteniu (len pri AS 12 E), rezaniu a hrubovaniu brúsnym kotúčom a kefovaniu. Použitie tohto elektrického náradia k iným než určeným účelom môže viesť k ohrozeniu zdravia a k zraneniu.

c) Nepoužívajte žiadne také príslušenstvo, ktoré nebolo výrobcom určené a odporúčané špeciálne pre toto ručné elektrické náradie. Okolnosť, že príslušenstvo sa dá na ručné elektrické náradie upevniť, ešte neznamená, že to zaručuje jeho bezpečné používanie.

d) Pripustný počet obrátok pracovného nástroja musí byť minimálne taký vysoký ako maximálny počet obrátok uvedený na ručnom elektrickom náradí. Príslušenstvo, ktoré sa otáča rýchlejšie, ako je prípustné, by sa mohlo rozlámata' a rozletieť po celom priestore pracoviska.

e) Vonkajší priemer a hrúbka pracovného nástroja musia zodpovedať rozmerovým údajom uvedeným na ručnom elektrickom náradí. Nesprávne dimenzované

i) Zabezpečte, aby sa iné osoby nachádzali v bezpečnej vzdialenosti od Vášho pracoviska. Každá osoba, ktorá vstúpi do pracovného dosahu náradia, musí byť vybavená osobnými ochrannými pomôckami. Úlomky obrobku alebo zlomený pracovný nástroj môžu odletieť a spôsobiť poranenie osôb aj mimo priameho pracoviska.

j) Elektrické náradie držte za izolované plochy rúkovi pri vykonávaní takej práce, pri ktorej by mohol rezací nástroj natrafiť na skryté elektrické vedenia alebo zasiahnuť vlastnú prívodnú šnúru náradia. Kontakt s vedením, ktoré je pod napätím, spôsobí, že aj kovové súčiastky náradia sa dostanú pod napätie, čo má za následok zásah obsluhujúcej osoby elektrickým prúdom.

k) Zabezpečte, aby sa prívodná šnúra nenachádzala v blízkosti rotujúcich pracovných nástrojov náradia. Ak stratíte kontrolu nad ručným elektrickým náradím, môže sa prerušiť alebo zachytiť prívodná šnúra a Vaša ruka a Vaše predlaktie sa môžu dostať do rotujúceho pracovného nástroja.

l) Nikdy neodkladajte ručné elektrické náradie skôr, ako sa pracovný nástroj úplne zastaví. Rotujúci pracovný nástroj sa môže dostať do kontaktu s odkladacou plochou, následkom čoho by ste mohli stratiť kontrolu nad ručným elektrickým náradím.

m) Nikdy nemajte ručné elektrické náradie zapnuté vtedy, keď ho prenášate na iné miesto. Náhodným kontaktom Vašich vlasov alebo Vášho oblečenia s rotujúcim pracovným nástrojom by sa Vám pracovný nástroj mohol zavrtáť do tela.

n) Pravidelne čistíte vetracie otvory svojho ručného elektrického náradia. Ventilátor motora vŕha ju do telesa náradia prach a veľké nahromadenie kovového prachu by mohlo spôsobiť vznik nebezpečného zásahu elektrickým prúdom.

o) Nepoužívajte toto ručné elektrické náradie v blízkosti horľavých materiálov. Odletujúce iskry by mohli tieto materiály zapáliť.

p) Nepoužívajte žiadne také pracovné nástroje, ktoré potrebujú chladenie kvapalinou. Používanie vody alebo iných tekutých chladiacich prostriedkov môže mať za následok zásah elektrickým prúdom.

Spätňý ráz a príslušné výstražné upozornenia

Spätňý ráz je náhlu reakciu náradia na vzpriechýny, zaseknutý alebo blokujúci pracovný nástroj, napríklad brúsný kotúč, brúsný tanier, drôtená kefa a pod. Zaseknutie alebo zablokovanie vedie k náhlemu zastaveniu rotujúceho pracovného nástroja. Takýmto spôsobom sa nekontrolované ručné elektrické náradie rozkrúti na zablokovanom mieste proti smeru otáčania pracovného nástroja.

Keď sa napríklad brúsný kotúč vzpriechý alebo zablokuje v obrobku, môže sa hrana brúsneho kotúča, ktorá je zapichnutá do obrobku, zachytiť v materiáli a tým sa vylomit' z brúsneho taniera, alebo spôsobiť spätňý ráz náradia. Brúsný kotúč sa potom pohybuje smerom k osobe alebo smerom preč od nej podľa toho, aký bol smer otáčania kotúča na mieste zablokovania.

Spätňý ráz je následkom nesprávneho a chybného používania ručného elektrického náradia. Vhodnými preventívnymi opatreniami, ktoré popisujeme v nasledujúcom texte, mu možno zabrániť.

a) Ručné elektrické náradie vždy držte pevne a svoje telo a ruky udržiavajte vždy v takej polohe, aby ste vyržali pripadný spätňý ráz náradia. Pri každej práci používajte prídavnú rukoväť, ak ju máte k dispozícii, aby ste mali čo najväčšiu kontrolu nad silami spätňého rázu a reakčnými momentmi pri rozbehu náradia. Pomocou vhodných opatrení môže obsluhujúca osoba silu spätňého rázu a sily reakčných momentov zvládnuť.

b) Nikdy nedávajte ruku do blízkosti rotujúceho pracovného nástroja. Pri spätňom ráze by Vám mohol pracovný nástroj zasiahnuť ruku.

c) Nemajte telo v priestore, do ktorého by sa mohlo ručné elektrické náradie v prípade spätňého rázu vymrštiť. Spätňý ráz vymršti ručné elektrické náradie proti smeru pohybu brúsneho kotúča na mieste zablokovania.

d) Mimoriadne opatne pracujte v oblasti rohov, ostrých hrán a pod. Zabráňte tomu, aby obrobok vymrštil pracovný nástroj proti Vám, alebo aby sa v ňom pracovný nástroj zablokoval. Rotujúci pracovný nástroj má sklon zablokovať sa v rohoch, na ostrých hranách alebo vtedy, keď je vyhodeny. To spôsobí stratu kontroly nad náradím alebo jeho spätňý ráz.

e) Nepoužívajte žiadny reťazový ani iný ozubený pilový list. Takéto pracovné nástroje často spôsobujú spätňý ráz alebo stratu kontroly nad ručným elektrickým náradím.

AS 12 E:

Osobitné bezpečnostné pokyny pre brúsenie brúsnym papierom

a) Nepoužívajte žiadne nadrozmerne brúsne listy, ale dodržiavajte údaje výrobcu o rozmeroch brúsných listov. Brúsne listy, ktoré presahujú okraj brúsneho taniera, môžu spôsobiť poranenie a viesť k zablokovaniu, alebo k roztrhnutiu brúsných listov alebo k spätňému rázu.

AP 12 E:

Osobitné výstražné upozornenia pre leštenie

a) Nepripust'ťe, aby boli uvoľnené niektoré súčiastky leštiaceho návleku, najmä upevňovacie šnúrky. Upevňovacie šnúrky založte alebo skráťte. Uvoľnené otáčajúce sa upevňovacie šnúrky by Vám mohli zachytiť prsty, alebo by sa mohli zachytiť v obrobku.

Zásuvky vo vonkajšom prostredí musia byť vybavené ochranným spínačom proti prudvým nárazom (FI, RCD, PRCD). Toto je inšalačný predpis na Vaše elektrické zariadenie. Venujte prosím tomuto pozornosť pri používaní nášho prístroja.

Triesky alebo úlomky sa nesmú odstraňovať za chodu stroja.

Len vypnutý stroj pripájajte do zásuvky.

Nesiahať do nebezpečnej oblasti bežiaceho stroja.

používať vždy prídavnú rukoväť.

Ak za chodu prístroja dôjde k výraznému kmitaniu alebo sa vyskytnú iné nedostatky, okamžite ho vypnite. Stroj skontrolujte, aby ste zistili príčinu.

Brúsný kotúč používať a uskladňovať vždy podľa návodu výrobcu.

Pri brúsení kovov dochádza k lietaniu iskiek. Dávajte pozor, aby neboli ohrozené žiadne osoby. Z dôvodu nebezpečia požiaru nesmú byť v blízkosti (oblasť lietania iskiek) žiadne horľavé materiály. Nepoužívať odsávač prachu.

Prístroj držať vždy tak, aby iskry a brúsný prach lietal smerom od tela.

Pred uvedením stroja do prevádzky musí byť prírubová matica dotiahnutá.

Opracovávaný obrobok musí byť pevne upnutý, pokiaľ nedrží vlastnou váhou. Nikdy nevedte obrobok rukou proti kotúču.

Pri extrémnych pracovných podmienkach (napr. pri hladkom vybrusovaní kovov operným kotúčom a brúsnym kotúčom z vulkánfibru) sa vnútri ručnej uhlovej brúsky môžu nahromadiť nečistoty. Za týchto pracovných podmienok je bezpodmienečne nutné dôkladne vyčistiť vnútorný priestor a zbaviť ho kovových usadenín a zaradiť pred brúsku automatický spínač v obvode diferenciálnej ochrany. Po aktivovaní tohto spínača sa musí uhlová brúska zaslať do servisu na opravu.

Pri brúsných materiáloch, ktoré majú byť vybavené kotúčom so závitom, je potrebné sa uistiť, či dĺžka závitú pre vreteno je dostatočná.

POUŽITIE PODĽA PREDPISOV

AP 12 E: Leštička je vhodná na leštenie lakov, ochranných vrstiev, plastov a iných hladkých povrchov.

AS 12 E: Brúska je vhodná na plošné brúsenie dreva, plastu a kovu.

Tento prístroj sa smie používať len v súlade s uvedenými predpismi.

CE - VYHLÁSENIE KONFORMITY

Vyhlasujeme v našej výhradnej zodpovednosti, že tento produkt zodpovedá nasledovným normám alebo normatívnym dokumentom: EN 60745, EN 55014-1, EN 55014-2, EN 61000-3-2, EN 61000-3-3, podľa predpisov smerníc 2006/42/EG, 2004/108/EG.



Winnenden, 2010-01-10

Rainer Kumpf

Rainer Kumpf
Manager Product Development

Splnomocnený zostaviť technické podklady.

SIEŤOVÁ PRÍPOJKA

Pripájať len na jednofázový striedavý prúd a na sieťové napätie uvedené na štítku. Pripojenie je možné aj do zásuviek bez ochranného kontaktu, pretože ide o konštrukciu ochrannej triedy II.

ÚDRZBA

Vetracie otvory udržiavať stále v čistote. Používať len AEG príslušenstvo a náhradné diely. Súčiastky bez návodu na výmenu treba dať vymeniť v jednom z AEG zákaznických centier (viď brožúru Záruka/Adresy zákaznických centier).

Pri udaní typu stroja a desaťmiestneho čísla nachádzajúceho sa na štítku dá sa v prípade potreby vyžiadať explozívna schéma prístroja od Vášho zákaznického centra alebo priamo v AEG Elektrowerzeuge, Max-Eyth-Straße 10, D-71364 Winnenden, Germany.

SYMBOLY



Pred prvým použitím prístroja si pozorne prečítajte návod na obsluhu.



Pri práci so strojom vždy noste ochranné okuliare.



Pred každou prácou na stroji vytiahnuť zástrčku zo zásuvky.



Príslušenstvo - nie je súčasťou štandardnej výbavy, odporúčané doplnenie z programu príslušenstva.



Elektrické náradie nevyhadzujte do komunálneho odpadu! Podľa európskej smernice 2002/96/EG o nakladaní s použitými elektrickými a elektronickými zariadeniami a zodpovedajúcich ustanovení právnych predpisov jednotlivých krajín sa použité elektrické náradie musí zbierať oddelene od ostatného odpadu a podrobiť ekologicky šetrnej recyklácii.

DANE TECHNICZNE

Polerka/Szlifierka

PE 150

/ SE 12-180

Znamionowa moc wyjściowa	1200 W	1200 W
Moc użyteczna	600 W	600 W
Prędkość bez obciążenia	900-2500 min ⁻¹	1800-4800 min ⁻¹
Maksymalna prędkość bez obciążenia	4700 min ⁻¹	9000 min ⁻¹
Średnica tarczy ścierniej	150 mm	180 mm
Gwint wrzeciona roboczego	M 14	M 14
Ciężar bez kabla	2,1 kg	2,5 kg

Informacja dotycząca szumów/wibracji

Zmierzone wartości wyznaczono zgodnie z normą EN 60745.

Poziom szumów urządzenia oszacowany jako A wynosi typowo:	82 dB(A)	82 dB(A)
Poziom ciśnienia akustycznego (K=3 dB(A))	93 dB(A)	93 dB(A)
Poziom mocy akustycznej (K=3 dB(A))		

Należy używać ochroniaczy uszu!

Wartości łączne drgań (suma wektorowa trzech kierunków)

wyznaczone zgodnie z normą EN 60745	<2,5 m/s ²	- m/s ²
Polerowanie: wartość emisji drgań a _h	1,5 m/s ²	- m/s ²
Niepewność K =	- m/s ²	2,8 m/s ²
Szlifowanie za pomocą tarczy szlifierskiej zwoływacznej: wartość emisji drgań a _h	- m/s ²	1,5 m/s ²
Niepewność K =		

OSTRZEŻENIE

Podany w niniejszych instrukcjach poziom drgań został zmierzony za pomocą metody pomiarowej zgodnej z normą EN 60745 i może być użyty do porównania ze sobą elektronarzędzi. Nadaje się on również do tymczasowej oceny obciążenia wibracyjnego.

Podany poziom drgań reprezentuje główne zastosowania elektronarzędzia. Jeśli jednakże elektronarzędzie użyte zostanie do innych celów z innym narzędziami roboczymi lub nie jest dostatecznie konserwowane, wtedy poziom drgań może wykazywać odchylenia. Może to wyrażnie zwiększyć obciążenie wibracjami przez cały okres pracy.

Dla dokładnego określenia obciążenia wibracjami należy uwzględnić również czasy, w których urządzenie jest wyłączone względnie jest włączone, lecz w rzeczywistości nie pracuje. Może to spowodować wyraźną redukcję obciążenia wibracyjnego w całym okresie pracy.

Należy wprowadzić dodatkowe środki zapobiegawcze celem ochrony obsługującego przed oddziaływaniem drgań, jak na przykład: konserwacja narzędzi roboczych i elektronarzędzi, nagranie rąk, organizacja przebiegu pracy.

⚠ OSTRZEŻENIE! Prosimy o przeczytanie wskazówek bezpieczeństwa i zaleceń, również tych, które zawarte są w załączonej broszurze. Błędy w przestrzeganiu poniższych wskazówek mogą spowodować porażenie prądem, pożar i/lub ciężkie obrażenia ciała.
Należy starannie przechowywać wszystkie przepisy i wskazówki bezpieczeństwa dla dalszego zastosowania.

INSTRUKCJE DOTYCZĄCE BEZPIECZEŃSTWA

Wspólne wskazówki ostrzegawcze dotyczące szlifowania okładziną ścierną i polerowania:

a) Elektronarzędzie należy używać jako maszyny do polerowania (tylko w przypadku AP 12 E) i szlifierki z użyciem okładziny ścierniej (tylko w przypadku AS 12 E). Należy przestrzegać wszystkich wskazówek ostrzegawczych, przepisów, opisów i danych, które otrzymali Państwo wraz z elektronarzędziem. Jeśli nie będą przestrzegane następujące przepisy, może dojść do porażenia prądem, pożaru i/lub ciężkich obrażeń ciała.

b) Niniejsze narzędzie elektryczne nie nadaje się do szlifowania papierem piaskowym (tylko w przypadku AP 12 E), do polerowania (tylko w przypadku AS 12 E), rozcinięcia i szlifowania zgrubne, robót z użyciem szczotek drucianych. Zastosowanie narzędzia elektrycznego do celów, do których nie jest ono przewidziane, może spowodować zagrożenia i obrażenia ciała.

c) Nie należy używać osprzętu, który nie jest przewidziany i polecany przez producenta specjalnie do tego urządzenia. Fakt, że osprzęt daje się zamontować do elektronarzędzia, nie jest gwarancją bezpiecznego użycia.

d) Dopuszczalna prędkość obrotowa stosowanego narzędzia roboczego nie może być mniejsza niż podana na elektronarzędziu maksymalna prędkość obrotowa. Narzędzie robocze, obracające się z szybszą niż dopuszczalna prędkością, może się złamać, a jego części odprysnąć.

e) Średnica zewnętrzna i grubość narzędzia roboczego muszą odpowiadać wymiarom elektronarzędzia. Narzędzia robocze o niewłaściwych wymiarach nie mogą być wystarczająco osłonięte lub kontrolowane.

f) Ściernice, podkładki, kołnierze, talerze szlifierskie oraz inny osprzęt muszą dokładnie pasować do wrzeciona ściernicy elektronarzędzia. Narzędzia robocze, które nie pasują dokładnie do wrzeciona ściernicy elektronarzędzia, obracają się nierównomiernie, bardzo mocno wibrują i mogą spowodować utratę kontroli nad elektronarzędziem.

g) W żadnym wypadku nie należy używać uszkodzonych narzędzi roboczych. Przed każdym użyciem należy skontrolować oprzyrządowanie, np. talerze szlifierskie pod kątem pęknięć, starcia lub silnego zużycia. W razie wypadku elektronarzędzia lub narzędzia roboczego, należy sprawdzić, czy nie uległo ono uszkodzeniu, lub użyć innego, nieuszkodzonego narzędzia. Jeśli narzędzie zostało sprawdzone i umocowane, elektronarzędzie należy włączyć na minutę na najwyższe obroty, zwracając przy tym uwagę, by osoba obsługująca i osoby postronne znajdujące się w pobliżu, znalazły się poza strefą obracającego się narzędzia. Uszkodzone narzędzia łamią się najczęściej w tym czasie próbnym.

h) Należy nosić osobiste wyposażenie ochronne. W zależności od rodzaju pracy, należy nosić maskę ochronną pokrywającą całą twarz, ochronę oczu lub okulary ochronne. W razie potrzeby należy użyć maski przeciwpyłowej, ochrony słuchu, rękawic ochronnych lub specjalnego fartucha, chroniącego przed małymi cząstkami ściernego i obrabianego materiału. Należy chronić oczy przed unoszącymi się w powietrzu ciałami obcymi, powstałymi w czasie pracy. Maskę przeciwpyłową i ochronną dróg oddechowych muszą filtrować powstający podczas pracy pył. Oddziaływanie hałasu przez dłuższy okres czasu, może doprowadzić do utraty słuchu.

i) Należy uważać, by osoby postronne znajdowały się w bezpiecznej odległości od strefy zasięgu

elektronarzędzia. Każdy, kto znajduje się w pobliżu pracującego elektronarzędzia, musi używać osobistego wyposażenia ochronnego. Odłamki obrabianego przedmiotu lub pęknięte narzędzia robocze mogą odpryskiwać i spowodować obrażenia również poza bezpośrednią strefą zasięgu.

j) Podczas prac, przy których elektronarzędzie mogłoby natrafić na ukryte przewody elektryczne lub na własny przewód, należy je trzymać tylko za izolowaną rękę. Pod wpływem kontaktu z przewodami będącymi pod napięciem, wszystkie części metalowe elektronarzędzia znajdują się również pod napięciem i mogą spowodować porażenie prądem osoby obsługującej.

k) Przewód sieciowy należy trzymać z dala od obracających się narzędzi roboczych. W przypadku utraty kontroli nad narzędziem, przewód sieciowy może zostać przecięty lub wciągnięty, a dłoń lub cała ręka mogą dostać się w obracające się narzędzie robocze.

l) Nigdy nie wolno odkładać elektronarzędzia przed całkowitym zatrzymaniem się narzędzia roboczego. Obracające się narzędzie może wejść w kontakt z powierzchnią, na którą jest odłożone, przez co można stracić kontrolę nad elektronarzędziem.

m) Nie wolno przenosić elektronarzędzia, znajdującego się w ruchu. Przypadkowy kontakt ubrania z obracającym się narzędziem roboczym może spowodować jego wciągnięcie i wwiercenie się narzędzia roboczego w ciało osoby obsługującej.

n) Należy regularnie czyścić szeliny wentylacyjne elektronarzędzia. Dmuchawa silnika wciąga kurz do obudowy, a duże nagromadzenie pyłu metalowego może spowodować zagrożenie elektryczne.

o) Nie należy używać elektronarzędzia w pobliżu materiałów łatwopalnych. Iskry mogą spowodować ich zapłon.

p) Nie należy używać narzędzi, które wymagają płynnych środków chłodzących. Użycie wody lub innych płynnych środków chłodzących może doprowadzić do porażenia prądem.

Odrzut i odpowiednie wskazówki bezpieczeństwa

Odrzut jest nagłą reakcją elektronarzędzia na zablokowanie lub zawadzenie obracającego się narzędzia, takiego jak ściernica, talerz szlifierski, szczotka druciana itd. Zaczepienie się lub zablokowanie prowadzi do nagłego zatrzymania się obracającego się narzędzia roboczego. Niekontrolowane elektronarzędzie zostanie przez to szarpnięte w kierunku przeciwnym do kierunku obrotu narzędzia roboczego.

Gdy, np. ściernica zatnie się lub zakleszczy w obrabianym przedmiocie, zanurzona w materiale krawędź ściernicy, może się zablokować i spowodować jej wypadnięcie lub odrzut. Ruch ściernicy (w kierunku osoby obsługującej lub od niej) uzależniony jest wtedy od kierunku ruchu ściernicy w miejscu zablokowania.

Odrzut jest następstwem niewłaściwego lub błędnego użycia elektronarzędzia. Można go uniknąć przez zachowanie opisanych poniżej odpowiednich środków ostrożności.

a) Elektronarzędzie należy mocno trzymać, a ciało i ręce ustawić w pozycji, umożliwiającej złagodzenie odrzutu. Jeżeli w skład wyposażenia standardowego wchodzi uchwyt dodatkowy, należy go zawsze używać, żeby mieć jak największą kontrolę nad siłami odrzutu lub momentem odwodzącym podczas rozruchu. Osoba obsługująca urządzenie może opanować szarpnięcia i zjawisko odrzutu poprzez zachowanie odpowiednich środków ostrożności.

b) Nie należy nigdy trzymać rąk w pobliżu obracających się narzędzi roboczych. Narzędzie robocze może wskutek odrzutu zranić rękę.

c) Należy trzymać się z dala od strefy zasięgu, w której poruszy się elektronarzędzie podczas odrzutu. Na skutek

odrzutu, elektronarzędzie przemieszcza się w kierunku przeciwnym do ruchu ściernicy w miejscu zablokowania.

d) Szczególnie ostrożnie należy obrabiać narożniki, ostre krawędzie itd. Należy zapobiegać temu, by narzędzia robocze zostały odbite lub by się one zablokowały. Obracające się narzędzie robocze jest bardziej podatne na zakleszczenie przy obróbce kątów, ostrych krawędzi lub gdy zostanie odbite. Może to stać się przyczyną utraty kontroli lub odrzutu.

e) Nie należy używać brzoścotów do drewna lub zębatych. Narzędzia robocze tego typu często powodują odrzut lub utratę kontroli nad elektronarzędziem.

AS 12 E:

Szczególne wskazówki bezpieczeństwa dla szlifowania papierem ściernym

a) Nie należy stosować zbyt wielkich arkuszy papieru ściernego. Przy wyborze wielkości papieru ściernego, należy kierować się zaleceniami producenta. Wystający poza płytę szlifierską papier ścierny może spowodować obrażenia, a także doprowadzić do zablokowania lub rozdarcia papieru lub do odrzutu.

AP 12 E:

Szczególne wskazówki ostrzegawcze dotyczące polerowania

a) Nie wolno pozwolić na to, by przy pokrywie polerskiej znajdowały się luźne części, przede wszystkim sznurki mocujące. Sznurki mocujące należy schować lub skrócić. Luźne, kręcące się razem sznurki mocujące mogą uchwycić Państwa palce lub zaplątać się w obrabianym przedmiocie.

Urządzenia pracujące w wielu różnych miejscach, w tym poza pomieszczeniami zamkniętymi, należy podłączać poprzez ochronny (FI, RCD, PRCD) wyłącznik udarowy.

Podczas pracy elektronarzędzia nie wolno usuwać trocin ani drzazg.

Elektronarzędzie można podłączać do gniazdka sieciowego tylko wtedy, kiedy jest wyłączone.

Podczas pracy sturarki nie zbliżać się do strefy niebezpiecznej.

Posługiwać się zawsze uchwytem dodatkowym.

Natychmiast wyłączyć elektronarzędzie w przypadku wystąpienia znacznych drgań lub w przypadku stwierdzenia innych usterek. Sprawdzić urządzenie w celu ustalenia przyczyny.

Tarcze szlifierskie stosować i przechowywać zgodnie z zaleceniami producenta.

Przy szlifowaniu metali powstają iskry. Nie narażać na niebezpieczeństwo żadnych osób. Ze względu na zagrożenie pożarowe w pobliżu miejsca pracy (w strefie wyrzucania isker) nie powinny się znajdować materiały palne. Nie stosować odpylaczy.

Elektronarzędzie trzymać zawsze w taki sposób, aby iskry i pył z przedmiotu obrabianego nie były wyrzucane na operatora.

Przed uruchomieniem urządzenia należy dokręcić nakrętkę regulacyjną.

Jeśli ciężar własny części obrabianej nie pozwala na utrzymanie jej równowagi, to należy ją mocno umocować. W żadnym wypadku nie wolno prowadzić części ręką.

W przypadku ekstremalnych warunków zastosowania (na przykład przy szlifowaniu do gładkości metali za pomocą tarczy oporowych oraz krążków ściernych z fibry) może dojść do silnego zanieczyszczenia wnętrza szlifierki ręcznej z końcówką kątową. W takich warunkach zastosowania konieczne jest pilnie dokładnie oczyszczenie wnętrza z osadów metalu oraz dołączenie wyłącznika ochronnego

prądu uszkodzeniowego (FI). Po zadziałaniu wyłącznika ochronnego FI maszyna musi zostać odesłana do naprawy.

W przypadku elektronarzędzi, które mają współpracować z tarczą z otworem gwintowanym należy sprawdzić czy długość gwintu w tarczy odpowiada długości wrzeciona.

UŻYTKOWANIE ZGODNE Z PRZEZNACZENIEM

AP 12 E: Polerkę można wykorzystywać do polerowania lakierów, powłok, tworzyw sztucznych oraz innych gładkich powierzchni.

AS 12 E: Produkt może być używana do szlifowania drewna, tworzyw sztucznych oraz metalu.

Urządzenie to można użytkować wyłącznie zgodnie z przeznaczeniem.

ŚWIADECTWO ZGODNOŚCI CE

Oświadczamy z pełną odpowiedzialnością, że produkt ten odpowiada wymaganiom następujących norm i dokumentów normatywnych: EN 60745, EN 55014-1, EN 55014-2, EN 61000-3-2, EN 61000-3-3 i jest zgodny z wymaganiami dyrektyw: 2006/42/EG, 2004/108/EG.



Winnenden, 2010-01-10

Rainer Kumpf
Manager Product Development

Pełnomocniony do zestawienia danych technicznych

PODŁĄCZENIE DO SIECI

Podłączać tylko do źródła zasilania prądem zmiennym jednofazowym i wyłącznie o napięciu podanym na tabliczce znamionowej. Możliwe jest również podłączenie do gniazdka bez uziemienia, ponieważ konstrukcja odpowiada II klasie bezpieczeństwa.

GWARANCJA

Otwór wentylacyjny narzędzia należy zawsze utrzymywać w czystości.

Należy stosować wyłącznie akcesoria i części zamienne AEG. Wymianę tych części, których wymiana nie została opisana, należy zlecić serwisowi AEG (dane zamieszczone są w broszurze: Gwarancja / Adresy punktów serwisowych).

Na życzenie można otrzymać rysunek eksploracyjny elementów urządzenia. Należy przy tym podać typ urządzenia i dziesięciocyfrowy numer umieszczony na tabliczce znamionowej. Dane te należy podać albo w lokalnym serwisie albo bezpośrednio do AEG Elektrowerkzeuge, Max-Eyth-Straße 10, D-71364 Winnenden, Germany.

UKŁAD ELEKTRONICZNY

Układ elektroniczny reguluje prędkość obrotową przy wzrastającym obciążeniu.

Przy dłuższym obciążeniu układ elektroniczny włącza wariant zredukowanej prędkości obrotowej. Urządzenie pracuje wolniej do momentu schłodzenia uzwojenia silnika. Po wyłączeniu i ponownym włączeniu można ponownie pracować przy pomocy urządzenia w obrębie wartości znamionowych obciążenia.

SYMBOLS



Przed uruchomieniem elektronarzędzia zapoznać się uważnie z treścią instrukcji.



Podczas pracy należy zawsze nosić okulary ochronne.



Przed przystąpieniem do jakichkolwiek prac przy narzędziu należy wyjąć wtyczkę z kontaktu.



Akcesoria - nie występują w dostawie, zalecane uzupełnienie z programu akcesoriów.



Nie wyrzucaj elektronarzędzi wraz z odpadami z gospodarstwa domowego! Zgodnie z Europejską Dyrektywą 2002/96/WE w sprawie zużytego sprzętu elektrotechnicznego i elektronicznego oraz dostosowaniem jej do prawa krajowego, zużyte elektronarzędzia należy posegregować i zutylizować w sposób przyjazny dla środowiska.

MŰSZAKI ADATOK	Polírozógép/Csiszológép	AP 12 E	AS 12 E
Névleges teljesítményfelvétel.....		1200 W	1200 W
Leadott teljesítmény.....		600 W	600 W
Üresjárati fordulatszám.....		900-2500 min ⁻¹	1800-4800 min ⁻¹
Üresjárati fordulatszám max.....		4700 min ⁻¹	9000 min ⁻¹
Csiszolótárcsa-Ø.....		150 mm	180 mm
Tengelymenet.....		M 14	M 14
Súly hálózati kábel nélkül.....		2,2 kg	2,5 kg

Zaj/Vibráció-információ

A közölt értékek megfelelnek az EN 60 745 szabványnak.

A készülék munkahelyi zajszintje tipikusan:

Hangnyomás szint (K = 3 dB(A)).....	82 dB(A)	82 dB(A)
Hangteljesítmény szint (K = 3 dB(A)).....	93 dB(A)	93 dB(A)

Hallásvédő eszköz használata ajánlott!

Összesített rezgésértékek (három irány vektorialis összege) az EN 60745-nek megfelelően meghatározva.

Polírozás: a _r rezgésemisszió érték.....	<2,5 m/s ²	- m/s ²
K bizonytalanság = 2 m/s ²	1,5 m/s ²	- m/s ²
Csiszolás műanyag csiszolóábrával: a _r rezgésemisszió érték.....	- m/s ²	2,8 m/s ²
K bizonytalanság = 2 m/s ²	- m/s ²	1,5 m/s ²

FIGYELMEZTETÉS

A jelen utasításokban megadott rezgésszint értéke az EN 60745-ben szabályozott mérési eljárásnak megfelelően került leérésre, és használható elektromos szerszámokkal történő összehasonlításhoz. Az érték alkalmas a rezgésterhelés előzetes megbecslésére is.

A megadott rezgésszint-érték az elektromos szerszám legfőbb alkalmazásait reprezentálja. Ha az elektromos szerszámot azonban más alkalmazásokhoz, eltérő használt szerszámokkal vagy nem elegendő karbantartással használják, a rezgésszint értéke eltérő lehet. Ez jelentősen megnövelheti a rezgésterhelést a munkavégzés teljes időtartama alatt.

A rezgésterhelés pontos megbecsléséhez azokat az időket is figyelembe kell venni, melyekben a készülék lekapcsolódik, vagy ugyan működik, azonban ténylegesen nincs használatban. Ez jelentősen csökkentheti a rezgésterhelést a munkavégzés teljes időtartama alatt.

Határozzon meg további biztonsági intézkedéseket a kezelő védelmére a rezgések hatása ellen, például: az elektromos és a használt szerszámok karbantartásával, a kezek melegen tartásával, a munkafolyamatok megszervezésével.

▲ FIGYELMEZTETÉS! Olvasson el minden biztonsági útmutatót és utasítást, a mellékelt brosúrában találhatóakat is. A következőkben leírt előírások betartásának elmulasztása áramütésekhez, tűzhöz és/vagy súlyos testi sérülésekhez vezethet. **Kérjük a későbbi használatra gondosan őrizze meg ezeket az előírásokat.**

KÜLÖNLEGES BIZTONSÁGI TUDNIVALÓK

Közös figyelmeztető tájékoztató a csiszolópapírral végzett csiszoláshoz és polírozáshoz:

a) Ez az elektromos kéziszerszám polírozógépként (kizárólag AP 12 E) és csiszolópapíros csiszológépként (kizárólag AS 12 E). Ügyeljen minden figyelmeztető jelzésre, előírásra, ábrára és adatra, amelyet az elektromos kéziszerszámmal együtt megkapott. Ha nem tartja be a következő előírásokat, akkor ez áramütéshez, tűzhöz és/vagy súlyos személyi sérülésekhez vezethet.

b) Ez az elektromos szerszám nem alkalmas csiszolópapírral való csiszoláshoz (kizárólag AP 12 E), polírozáshoz (kizárólag AS 12 E), vágó- és nagyoló korongok, drótkéfeikkel végzendő munkákhoz. Az elektromos szerszám olyan használata, amely nem felel meg a rendeltetésének, veszélyeket és sérüléseket okozhat.

c) Ne használjon olyan tartozékokat, amelyeket a gyártó ehhez az elektromos kéziszerszámhoz nem irányított elő és nem javasolt. Az a tény, hogy a tartozékot rögzíteni tudja az elektromos kéziszerszámra, nem garantálja annak biztonságos alkalmazását.

d) A betétszerszám megengedett fordulatszámának legalább akkorának kell lennie, mint az elektromos kéziszerszámon megadott legnagyobb fordulatszám. A megengedettnél gyorsabban forgó tartozékok széttröhethetnek és kirepülhetnek.

e) A betétszerszám külső átmérőjének és vastagságának meg kell felelnie az Ön elektromos

i) Ügyeljen arra, hogy a többi személy biztonságos távolságban maradjon az Ön munkaterületétől. Minden olyan személynek, aki belép a munkaterületre, személyi védőfelszerelést kell viselnie. A munkadarab letört részei vagy a széttrött betétszerszámok kirepülhetnek és a közvetlen munkaterületen kívül és személyi sérülést okozhatnak.

j) Az elektromos kéziszerszámot csak a szigetelt fogantyúfelületeknél fogva tartsa, ha olyan munkát végez, amelynek során a betétszerszám feszültség alatt álló, kívülről nem látható vezetékekhez, vagy a készülék saját hálózati csatlakozó kabéljéhez érhet. Ha a berendezés egy feszültség alatt álló vezetékhez ér, az elektromos kéziszerszám fémrészei szintén feszültség alá kerülnek és áramütéshez vezethetnek.

k) Tartsa távol a hálózati csatlakozó kábelt a forgó betétszerszámoktól. Ha elveszíti az uralmát az elektromos kéziszerszám felett, az átvághatja, vagy bekaphatja a hálózati csatlakozó kábelt és az Ön keze vagy karja is a forgó betétszerszámhoz érhet.

l) Sohase tegye le az elektromos kéziszerszámot, mielőtt a betétszerszám teljesen leállna. A forgásban lévő betétszerszám megérintheti a támasztó felületet, és Ön ennek következtében könnyen elvesztheti az uralmát az elektromos kéziszerszám felett.

m) Ne járassa az elektromos kéziszerszámot, miközben azt a kezében tartja. A forgó betétszerszám egy véletlen érintkezés során bekaphatja a ruháját és a betétszerszám belefúródhat a testébe.

n) Tisztítsa meg rendszeresen az elektromos kéziszerszám szellőzőnyílásait. A motor ventilátóra beszívja a port a házba, és nagyobb mennyiségű fémpor felhalmozódása elektromos veszélyekhez vezethet.

o) Ne használja az elektromos kéziszerszámot éghető anyagok közelében. A szikrák ezeket az anyagokat meggyújtják.

p) Ne használjon olyan betétszerszámokat, amelyek alkalmazásához folyékony hűtőanyagra van szükség. Víz és egyéb folyékony hűtőanyagok alkalmazása áramütéshez vezethet.

Visszarugás és megfelelő figyelmeztető tájékoztatók

A visszarugás a beékelődő vagy leblokkoló forgó betétszerszám, például csiszolókorong, csiszoló tányér, drótkéfe stb. hirtelen reakciója. A beékelődés vagy leblokkolás a forgó betétszerszám hirtelen leállításához vezet. Ez az irányítatlan elektromos kéziszerszámot a betétszerszámnak a leblokkolási ponton fennálló forgási irányával szembeni irányban felgyorsítja.

Ha például egy csiszolókorong beékelődik, vagy leblokkol a megmunkálásra kerülő munkadarabban, a csiszolókorongnak a munkadarabba bemezőléle leáll és így a csiszolókorong kiugorhat vagy egy visszarugást okozhat. A csiszolókorong ekkor a korongnak a leblokkolási pontban fennálló forgásirányától függően a kezelő személy felé, vagy attól távolodva mozog.

Egy visszarugás az elektromos kéziszerszám hibás vagy helytelen használatának következménye. Ezt az alábbiakban leírásra kerülő megfelelő óvatossági intézkedésekkel meg lehet gátolni.

a) Tartsa szorosan fogva az elektromos kéziszerszámot, és hozza a testét és a karjait olyan helyzetbe, amelyben fel tudja venni a visszaütő erőket. Használja mindig a pótfogantyút, amennyiben létezik, hogy a lehető legjobban tudjon uralkodni a visszarugási erő, illetve felfutások a reakciós nyomaték felett. A kezelő személy megfelelő óvatossági intézkedésekkel uralkodni tud a visszarugási és reakcióerők felett.

b) Sohase vigye a kezét a forgó betétszerszám közelébe. A betétszerszám egy visszarugás esetén a kezéhez érhet.

c) Kerülje el a testével azt a tartományt, ahová egy visszarugás az elektromos kéziszerszámot mozgatja. A visszarugás az elektromos kéziszerszámot a csiszolókorongnak a leblokkolási pontban fennálló forgásirányával ellentétes irányba hajtja.

d) A sarkok és élek közelében különösen óvatosan dolgozzon, akadályozza meg, hogy a betétszerszám lepatanjon a munkadarabról, vagy beékelődjön a munkadarabra. A forgó betétszerszám a sarkoknál, éléknél és lepatanás esetén könnyen beékelődik. Ez a készülék feletti uralom elvesztéséhez, vagy egy visszarugáshoz vezet.

e) Ne használjon fáfűrészlapot, vagy fogazott fűrészlapot. Az ilyen betétszerszámok gyakran visszarugáshoz vezetnek, vagy a kezelő elvesztheti az uralmát az elektromos kéziszerszám felett.

AS 12 E: Külön figyelmeztetések és tájékoztató a csiszolópapír alkalmazásával történő csiszoláshoz

a) Ne használjon túl nagy csiszolólapokat, hanem kizárólag a gyártó által előírt méretet. A csiszoló tányéron túl kilógó csiszolólapok személyi sérülést okozhatnak, valamint a csiszolólapok leblokkolásához, széttépdéséhez, vagy visszarugáshoz vezethetnek.

AP 12 E: Külön figyelmeztetések és tájékoztató a polírozáshoz

a) Ne tegye lehetővé, hogy a polírozóburán laza részek, mindeneke előtt rögzítő zsinórok legyenek. Megfelelően rögzítse, vagy rövidítse le a rögzítő zsinórokat. A géppel együtt forgó laza rögzítő zsinórok bekaphatják a kezelő ujjait, vagy beakadhatnak a munkadarabra.

Szabadban a dugalját hibaáram-védőkapcsolóval kell ellátni. Az elektromos készülékek üzembelyezési útmutatása ezt kötelezően előírja (FI, RCD, PRCD). Ügyeljen erre az elektromos kéziszerszámok használatakor is.

A munka közben keletkezett forgácsokat, szilkánkokat, törmelékét, stb. csak a készülék teljes leállása után szabad a munkaterületről eltávolítani.

A készüléket csak kikapcsolt állapotban szabad ismét áram alá helyezni.

A működő készülék munkaterületére nyúlni balesetveszélyes és tilos.

A készüléket a segédfogantyúval együtt kell használni.

A készüléket azonnal ki kell kapcsolni, ha szokatlanul erős rezgés vagy más, hibára utaló jelenség lépne fel. Vizsgálja meg a készüléket, hogy mi lehet a helytelen működés oka.

A csiszoló tárcsát mindig a gyártó útmutatásainak megfelelően kell használni és tárolni.

Fémek csiszolásakor szikra keletkezhet. Ügyeljen a közelben tartózkodó személyek testi épségére, illetve a gyúlékony anyagokat távolítsa el a munkaterületről. Ne használjon porszívót.

A készüléket mindig úgy kell tartani, hogy a keletkező szikra, illetve a por ne a munkavégzőre szálljon.

A készülék használat előtt vizsgálja meg, hogy a szorítóanya megfelelően meg van-e húzva.

A munkadarabot rögzíteni kell, amennyiben saját súlya nem tartja meg biztonságosan. A munkadarabot nem szabad kézzel vezetni a tárcsa irányába.

Rendkívüli körülmények közötti használat esetén (pl. fémek támasztó tányérral és vulkánfibr-csiszolókoronggal történő simára csiszolásakor) erős szennyeződés keletkezhet a sarokcsiszoló belsejében. Ilyen használati feltételek esetén biztonsági okokból alaposan meg kell tisztítani a sarokcsiszoló belsejét a fémlerakódásoktól, és feltétlenül

hibaáram védőkapcsolót (FI-relé) kell a készülék elé csatlakoztatni. A FI-védőkapcsoló működésbe lépése után a gépet be kell küldeni javításra.

Azoknál a szerszámoknál amelyeket menetes csiszolókkal kíván használni, győződjön meg róla, hogy a csiszoló elég hosszú ahhoz, hogy elfogadjja a tengely hosszát.

RENDELTESSZERŰ HASZNÁLAT

AP 12 E: A polírozót lakkok, fedőrétegek, műanyagok és más sima felületek polírozására használhatja.

AS 12 E: A csiszoló használható fa, műanyag és fém csiszolására.

A készüléket kizárólag az alábbiakban leírtaknak megfelelően szabad használni.

CE-AZONOSSÁGI NYILATKOZAT

Teljes felelősségünk tudatában kijelentjük, hogy jelen termék megfelel a következő szabványoknak vagy szabványossági dokumentumoknak: EN 60745, EN 55014-1, EN 55014-2, EN 61000-3-2, EN 61000-3-3, a 2006/42/EG, 2004/108/EG irányelvek határozataival egyetértésben.



Winnenden, 2010-01-10

Rainer Kumpf
Manager Product Development

Műszaki dokumentáció összeállításra felhatalmazva

HÁLÓZATI CSATLAKOZTATÁS

A készüléket csak egyfázisú váltóáramra és a teljesítménytáblán megadott hálózati feszültségre csatlakoztassa. A csatlakoztatás védőérintkező nélküli dugaszolóaljzatokra is lehetséges, mivel a készülék felépítése II védettségi osztályú.

KARBANTARTÁS

A készülék szellőzőnyílásait mindig tisztán kell tartani.

Javításhoz, karbantartáshoz kizárólag AEG alkatrészeket és tartozékokat szabad használni. A készülék azon részeinek cseréjét, amit a kezelési útmutató nem engedélyez, kizárólag a javításra feljogosított márkaszerviz végezheti. (Lásd a szervizlistát)

Szükség esetén a készülékek robbantott ábráját - a készülék típusa és tízjegyű azonosító száma alapján a területileg illetékes AEG márkaszerviztől vagy közvetlenül a gyártótól (AEG Elektrowerkzeuge, Max-Eyth-Straße 10, D-71364 Winnenden, Germany) lehet kérni.

SZIMBÓLUMOK



Kérjük alaposan olvassa el a tájékoztatót mielőtt a gépet használja.



Munkavégzés közben ajánlatos védőszemüveget viselni.



Karbantartás, javítás, tisztítás, stb. előtt előtt a készüléket áramtalanítani kell.



Azokat a tartozékokat, amelyek gyárilag nincsenek a készülékhez mellékelve, külön lehet megrendelni.



Az elektromos kéziszerszámokat ne dobja a háztartási szemétkébe! A használt villamos és elektronikai készülékekről szóló 2002/96/EK irányelv és annak a nemzeti jogba való átültetése szerint az elhasznált elektromos kéziszerszámokat külön kell gyűjteni, és környezetbarát módon újra kell hasznosítani.

TEHNIČNI PODATKI

Polirniki/Brusilniki

PE 150

/ SE 12-180

Nazivna sprejemna moč.....	1200 W	1200 W
Oddajna zmogljivost.....	600 W	600 W
Število vrtljajev v prostem teku.....	900-2500 min ⁻¹	1800-4800 min ⁻¹
Maks. število vrtljajev v prostem teku.....	4700 min ⁻¹	9000 min ⁻¹
Brusilne plošče ø.....	150 mm	180 mm
Vretenasti navoj.....	M 14	M 14
Teža brez omrežnega kabla.....	2,1 kg	2,5 kg

Informacije o hrupnosti/vibracijah

Vrednosti merjenja ugotovljene ustrezno z EN 60 745.

Raven hrupnosti naprave ovrednotena z A, znaša tipično:

Nivo zvočnega tlaka (K = 3 dB(A)).....	82 dB(A)	82 dB(A)
Višina zvočnega tlaka (K = 3 dB(A)).....	93 dB(A)	93 dB(A)

Nosite zaščito za sluh!

Skupna vibracijska vrednost (Vektorska vsota treh smeri) določena ustrezno EN 60745.

Poliranje: Vibracijska vrednost emisij a_h..... <2,5 m/s²..... m/s²

Nevarnost K =..... 1,5 m/s²..... m/s²

Brušenje s ploščo iz umetne mase: Vibracijska vrednost emisij a_h..... m/s²..... 2,8 m/s²

Nevarnost K =..... m/s²..... 1,5 m/s²

OPOZORILO

V teh navodilih navedena raven tresljajev je bila izmerjena po EN60745 normiranem merilnem postopku in lahko služi medsebojni primerjavi električnih orodij. Prav tako je primeren za predhodno oceno obremenitve s tresljaji.

Navedena raven tresljajev navaja najpomembnejše vrste rabe električnega orodja. Kadar se električno orodje uporablja za drugačne namene, z odstopajočimi orodji ali pa z nezadostnim vzdrževanjem, lahko raven tresljajev tudi odstopa. Le to lahko čez celoten delovni čas znatno zviša obremenitev s tresenjem.

Za natančno oceno obremenitve s tresljaji naj bi se upošteval tudi čas v katerem je naprava izklopljena ali sicer teče, vendar dejansko ni v rabi. Le to lahko obremenitev s tresljaji čez celoten delovni čas znatno zmanjša.

Za zaščito upravljalca pred učinkom tresljajev uvedite dodatne zaščitne ukrepe npr.: Vzdrževanje električnega orodja in orodja, delo s toplimi rokami, organizacija delovnih potekov.

⚠ OPOZORILO! Preberite vsa varnostna opozorila in navodila, tudi tista v priloženi brošuri. Napake zaradi neupoštevanja spodaj navedenih opozoril in napotil lahko povzročijo električni udar, požar in/ali težke telesne poškodbe.
Vsa opozorila in napotila shranite, ker jih boste v prihodnje še potrebovali.

SPECIALNI VARNOSTNI NAPOTKI

Skupna opozorila za brušenje z brusnim papirjem in poliranje:

a) To električno orodje se lahko uporablja za kot polirni (samo pri AP 12 E) ter brušenje z brusnim papirjem (samo pri AS 12 E). Upoštevajte vsa opozorila, navodila, slikovne prikaze in podatke, ki ste jih prejeli skupaj z električnim orodjem. Zaradi nespoštovanja spodaj navedenih navodil lahko pride do električnega udara, požara in/ali težkih telesnih poškodb.

b) To električno orodje ni primerno za smirkanje (samo pri AP 12 E), poliranje (samo pri AS 12 E), razdvajanje in grobo brušenje in delo z žičnimi krtačami. Uporaba za katero stroj ni predviden, lahko povzroči nevarnosti in poškodbe.

c) Ne uporabljajte pribora, ki ga proizvajalec za to orodje ni specialno predvidel in katerega uporabe ne priporoča. Zgolj dejstvo, da lahko nek pribor pritrdite na Vaše električno orodje, še ne zagotavlja varne uporabe.

d) Dovoljeno število vrtljajev vsadnega orodja mora biti najmanj tako visoko kot maksimalno število vrtljajev, ki je navedeno na električnem orodju. Pribor, ki se vrti hitreje kot je dovoljeno, se lahko zlomi in leti naokrog.

e) Zunanji premer in debelina vsadnega orodja morata ustrezati meram Vašega električnega orodja. Napačno dimenzioniranih vsadnih orodij ne boste mogli dovolj dobro zavarovati ali nadzorovati.

f) Brusilni koluti, prirobnice, brusilni krožniki in drug pribor se morajo natančno prilagati na brusilno vreteno

Vašega električnega orodja. Vsadna orodja, ki se natančno ne prilagajo brusilnemu vretenu električnega orodja, se vrtilo neenakomerno, zelo močno vibrirajo in lahko povzročijo izgubo nadzora nad napravo.

g) Ne uporabljajte poškodovanih vsadnih orodij. Pred vsako uporabo preglejte brusilne krožnike, če nimajo razpok oziroma če niso močno obrabljeni ali izrabljeni, žične ščetke pa. Če pade električno orodje ali vsadno orodje na tla, pogledajte, če ni poškodovano in uporabljajte samo nepoškodovana vsadna orodja. Po kontroli in vstavljanju vsadnega orodja se ne zadržujte v ravnini vrtečega se vsadnega orodja, kar velja tudi za druge osebe v bližini. Električno orodje naj eno minuto deluje z najvišjim številom vrtljajev. Poškodovana vsadna orodja se največkrat zlomijo med tem preizkusnim časom.

h) Uporabljajte osebno zaščitno opremo. Odvisno od vrste uporabe si nataknite zaščitno masko čez cel obraz, zaščito za oči ali zaščitna očala. Če je potrebno, nosite zaščitno masko proti prahu, zaščitne glušnike, zaščitne rokavice ali specialni predpasnik, ki Vas bo zavaroval pred manjšimi delci materiala, ki nastajajo pri brušenju. Oči je treba zavarovati pred tujki, ki nastajajo pri različnih vrstah uporabe naprave in letijo naokrog. Zaščitna maska proti prahu ali dihalna maska morata filtrirati prah, ki nastaja pri uporabi. Predolgo izpostavljanje glasnemu hrupu ima lahko za posledico izgubo sluha.

i) Pazite, da bodo druge osebe varno oddaljene od Vašega delovnega območja. Vsak, ki stopi na delovno območje, mora nositi osebno zaščitno opremo. Odlomljeni delci obdelovanca ali zlomljena vsadna orodja lahko odletijo stran in povzročijo telesne poškodbe, tudi izven neposrednega delovnega območja.

j) Če izvajate dela, pri katerih bi lahko vstavno orodje zadelo ob skrite električne vodnike ali ob lastni omrežni kabel, držite električno orodje samo za izolirane ročaje. Stik z vodnikom, ki je pod napetostjo, prenese napetost tudi na kovinske dele električnega orodja in povzroči električni udar.

k) Omrežnega kabla ne približujte vrtečemu se vsadnemu orodju. Če izgubite nadzor nad električnim orodjem, lahko orodje prereže ali zagradi kabel, Vaša roka pa zaide v vrteče se vsadno orodje.

l) Ne odlagajte električnega orodja, dokler se vsadno orodje popolnoma ne ustavi. Vrteče se vsadno orodje lahko pride v stik z odlagalno površino, zaradi česar lahko izgubite nadzor nad električnim orodjem.

m) Električno orodje naj medtem, ko ga prenašate naokrog, ne deluje. Vrteče se vsadno orodje lahko zaradi naključnega kontakta zagradi Vaše oblačilo in se zavrti v Vaše telo.

n) Prezračevalne reže Vašega električnega orodja morate redno čistiti. Ventilator motorja povleče v ohišje prah in velika količina nabranega prahu je lahko vzrok za električno nevarnost.

o) Ne uporabljajte električnega orodja v bližini gorljivih materialov. Ti materiali se lahko zaradi iskenja vnamejo.

p) Ne uporabljajte vsadnih orodij, ki za hlajenje potrebujejo tekočino. Uporaba vode ali drugih tekočin lahko povzroči električni udar.

Povratni udarec in ustreza opozorila

Povratni udarec je nenadna reakcija, ki nastane zaradi zagozdenja ali blokiranja vrtečega se vsadnega orodja, na primer brusilnega koluta, brusinega krožnika, žične ščetke in podobnega. Zagozdenje ali blokiranje ima za posledico takojšnje ustavitve vrtečega se vsadnega orodja. Nekonrolirano električno orodje se zaradi tega pospešeno premakne v smer, ki je nasprotna smeri vrtenja vsadnega orodja.

Če se na primer brusilni kolut zatakne ali zablokira v obdelovancu, se lahko rob brusilnega koluta, ki je potopljen v obdelovanec, zaplete vanj in brusilni kolut se odloži ali povzroči povratni udarec. Brusilni kolut se nato premakne proti uporabniku ali proč od njega, odvisno od smeri vrtenja brusilnega koluta na mestu blokiranja.

Povratni udarec je posledica napačne ali pomanjkljive uporabe električnega orodja. Preprečite ga lahko z ustreznimi previdnostnimi ukrepi. Navedeni so v nadaljevanju besedila.

a) Dobro držite električno orodje in premaknite telo in roke v položaj, v katerem boste lahko prestregli moč povratnega udarca. Če je na voljo dodatni ročaj, ga obvezno uporabljajte in tako zagotovite najboljšo možno nadziranje moči povratnih udarcev ali reakcijskih momentov pri zagonu naprave. Z ustreznimi previdnostnimi ukrepi lahko uporabnik obvlada moč povratnih udarcev in reakcijskih momentov.

b) Nikoli z roko ne segajte v bližino vrtečih se vsadnih orodij. V primeru povratnega udarca se lahko orodje premakne čez Vašo roko.

c) Ne približujte telesa področju, v katerega se lahko v primeru povratnega udarca premakne električno orodje. Povratni udarec potisne električno orodje v smer, ki je nasprotna smeri premikanja brusilnega koluta na mestu blokiranja.

d) Posebno previdno delajte v kotih, na ostrih robovih in podobnih površinah. Preprečite, da bi vsadna orodja odskočila od obdelovanca in se zagozdila. Vrteče se vsadno orodje se v kotih, na ostrih robovih ali če odskoči, zlahka zagozdi. To povzroči izgubo nadzora ali povratni udarec.

e) Ne uporabljajte verižnih ali nazobčanih žagin listov. Ta vsadna orodja pogosto povzročijo povratni udarec ali izgubo nadzora nad električnim orodjem.

AS 12 E:

Posebna opozorila za brušenje z brusnim papirjem

a) Ne uporabljajte predimenzioniranih brusilnih listov, temveč upoštevajte podatke proizvajalca o velikosti

žaginega lista. Brusilni listi, ki gledajo čez brusilni krožnik, lahko povzročijo telesne poškodbe ali pa blokiranje in trganje žaginega lista oziroma povratni udarec.

AP 12 E:

Posebna opozorila za poliranje

a) Polirna kapa ne sme imeti nobenih opletajočih delov, kar še posebno velja za pritrilne trakove. Pritrdilne trakove spravite ali skrajšajte. Opletajoči pritrilni trakovi, ki se vrtijo skupaj s polirno kapo, lahko zagrabijo Vaše prste ali se zapletejo v obdelovanec.

Vtičnice v zunanjem področju morajo biti opremljene z zaščitnimi stikali za okvarni tok (FI, RCD, PRCD). To zahteva instalacijski predpis za vašo električno napravo. Prosimo, da to pri uporabi naše naprave upoštevate.

Trske ali iveri se pri tekočem stroju ne smejo odstranjevati.

Stroj priklopite na vtičnico samo v izklopljenem stanju.

Ne segajte na področje nevarnosti tekočega stroja.

Vedno uporabljajte dodatni ročaj.

Napravo takoj izklopite, če nastopijo znatne vibracije ali če ugotovite drugačne pomanjkljivosti. Preverite stroj, da ugotovite vzrok.

Brusilne plošče vedno uporabljajte in shranjujte v skladu z navedbami proizvajalca.

Pri brušenju kovin nastaja iskenje. Pazite na to, da ne ogrožate nobenih oseb. Zaradi nevarnosti požara se v bližini (na področju iskenja) ne smejo nahajati nobeni gorljivi materiali. Ne uporabljajte odsesavanja prahu.

Aparat vedno držite tako, da iskre ali brusilni prah letijo stran od telesa.

Matica prirobnice mora biti pred zagonom stroja zategnjena.

Kos, ki ga želite obdelovati, mora biti trdno vpet, če ne drži že zaradi lastne teže. Nikoli obdelovalnega kosa ne vodite z roko proti plošči.

Pri ekstremnih pogojih uporabe (npr. obrusu kovin z opornim krožnikom in vulkan-fiber brusilnimi ploščami) se lahko v notranjosti kotne brusilke naberejo nečistoče. Pri tovrstnih pogojih uporabe je iz varnostnih razlogov potrebno temeljito čiščenje kovinskih oblog v notranjosti in obvezen predklop varovalnega (FI) stikala. V primeru sprožitve FI-varovalnega stikala je potrebno stroj dati v popravilo.

Pri brusilnih sredstvih, ki so opremljeni s ploščico z navojem se prepričajte, da je navoj v ploščici dovolj dolg za vreteno.

UPORABA V SKLADU Z NAMEMBNOSTJO

AP 12 E: Polirna priprava je uporabna za poliranje lakov, slojev, umetnih mas in drugih gladkih površin.

AS 12 E: Brusilnik je primeren za površinsko brušenje lesa, umetne mase in kovine.

Ta naprava se sme uporabiti samo v skladu z namembnostjo uporabiti samo za navede namene.

CE-IZJAVA O KONFORMNOSTI

Z lastno odgovornostjo izjavljamo, da je ta produkt skladen z naslednjimi normami ali normativnimi dokumenti.
EN 60745, EN 55014-1, EN 55014-2, EN 61000-3-2, EN 61000-3-3, v skladu z določili smernic 2006/42/EG, 2004/108/EG.



Winnenden, 2010-01-10

Rainer Kumpf
Manager Product Development

Pooblaščen za izdelavo spisov tehnične dokumentacije.

OMREŽNI PRIKLJUČEK

Priključite samo na enofazni izmenični tok in samo na omrežno napetost, ki je označena na tipski ploščici. Priključitev je možna tudi na vtičnice brez zaščitnega kontakta, ker obstaja nadgradnja zaščitnega razreda.

VZDRŽEVANJE

Pazite na to, da so prezračevalne reže stroja vedno čiste.

Uporabljajte samo AEG pribor in nadomestne dele. Poskrbite, da sestavne dele, katerih zamenjava ni opisana, zamenjajo v AEG servisni službi (upoštevajte brošuro Garancija/Naslovi servisnih služb).

Po potrebi se lahko pri vaši servisni službi ali direktno pri AEG Elektrowerkzeuge naroči eksplozijska risba naprave ob navedbi tipa stroja in desetmestne številke s tipske ploščice AEG Elektrowerkzeuge, Max-Eyth-Straße 10, D-71364 Winnenden, Germany.

SIMBOLI



Prosimo, da pred uporabo pozorno preberete to navodilo za uporabo.



Pri delu s strojem vedno nosite zaščitna očala.



Pred vsemi deli na stroju izvlcite vtičak iz vtičnice.



Oprema – ni vsebovana v obsegu dobave, priporočeno dopolnilo iz programa opreme.



Električnega orodja ne odstranjujte s hišnimi odpadki! V skladu z Evropsko direktivo 2002/96/EG o odpadni električni in elektronski opremi in z njenim izvajanjem v nacionalni zakonodaji je treba električna orodja ob koncu njihove življenjske dobe ločno zbirati in jih predati v postopek okolju prijaznega recikliranja.

TEHNIČKI PODACI	Polirač/Brusač	AP 12 E	AS 12 E
Snaga nominalnog prijema.....	1200 W	1200 W	1200 W
Predajni učinak.....	600 W	600 W	600 W
Broj okretaja praznog hoda.....	900-2500 min ⁻¹	1800-4800 min ⁻¹	
Max. broj okretaja praznog hoda.....	4700 min ⁻¹	9000 min ⁻¹	
Brusne ploče-Ø.....	150 mm	180 mm	
Navoj vretena.....	M 14	M 14	
Težina bez mrežnog kabela.....	2,2 kg	2,5 kg	

Informacije o buci/vibracijama

Mjerne vrijednosti utvrđene odgovarajuće EN 60 745.

A-ocijenjeni nivo buke aparata iznosi tipično:

nivo pritiska zvuka (K=3dB(A)).....	82 dB(A)	82 dB(A)
nivo učinka zvuka (K=3dB(A)).....	93 dB(A)	93 dB(A)

Nositi zaštitu sluha!

Ukupne vrijednosti vibracije (Vektor suma tri smjera) su odmjerene odgovarajuće EN 60745

Poliranje: Vrijednost emisije vibracija a _n	<2,5 m/s ²	- m/s ²
Nesigurnost K =.....	1,5 m/s ²	- m/s ²
Brušenje sa plastičnim brusnim diskom: Vrijednost emisije vibracije a _n	- m/s ²	2,8 m/s ²
Nesigurnost K =.....	- m/s ²	1,5 m/s ²

UPOZORENJE

Ova u ovim uputama navedena razina titranja je bila izmjerena odgovarajuće jednom u EN 60745 normiranom mjernom postupku i može se upotrijebiti za usporedbu električnog alata međusobno. Ona je prikladna i za privremenu procjenu titrajnog opterećenja.

Navedena razina titranja reprezentira glavne primjene električnog alata. Ukoliko se električni alat upotrebljava u druge svrhe sa odstupajućim primijenjenim alatima ili nedovoljnim održavanjem, onda razina titranja može odstupati. To može titrajno opterećenje kroz cijeli period rada bitno povišiti.

Za točnu procjenu titrajnog opterećenja se moraju uzeti u obzir i vremena u kojima je uređaj isključen ili u kojima doduše radi, ali nije i stvarno u upotrebi. To može titrajno opterećenje bitno smanjiti za vrijeme cijelog radnog perioda.

Utvrđite dodatne sigurnosne mjere za zaštitu poslužioca protiv djelovanja titranja kao npr.: Održavanje električnih alata i upotrebljenih alata, održavanje topline ruku, organizacija i radne postupke.

⚠ UPOZORENIE! Pročitajte sigurnosne upute i

uputnice, isto i one iz priložene brošure. Ako se ne bi poštivale napomene o sigurnosti i upute to bi moglo uzrokovati strujni udar, požar i/ili teške ozljede.

Sačuvajte sve napomene o sigurnosti i upute za buduću primjenu.

SPECIJALNE SIGURNOSNE UPUTE

Zajedničke upute s upozorenjima za brušenje brusnim papirom i poliranje:

a) Ovaj električni alat treba koristiti kao uređaj za poliranje (samo kod AP 12 E) i brusilicu s brusnim papirom (samo kod AS 12 E). Pridržavajte se svih naputaka s upozorenjem, uputa, prikaza i podataka koje ste dobili s električnim alatom. Ako se ne bi pridržavali sljedećih uputa, moglo bi doći do električnog udara, požara i/ili teških ozljeda.

b) Ovaj električni alat nije prikladan za brušenje pješćanim papirom (samo kod AP 12 E), za poliranje (samo kod AS 12 E), odvajacko i grubo brušenje i radove sa žičanim četkama. Primjene, za koje električni alat nije predviđen, mogu prouzročiti ugrožavanja i povrede.

c) Ne koristite pribor koji proizvođač nije posebno predvidio i preporučio za ovaj električni alat. Sama činjenica da se pribor može pričvrstiti na vaš električni alat, ne jamči sigurnu primjenu.

d) Dopušteni broj okretaja električnog alata mora biti barem toliko visok kao maksimalni broj okretaja naveden na električnom alatu. Pribor koji se vrti brže nego što je do dopušteno, mogao bi se polomiti i razletjeti.

e) Vanjski promjer i debljina radnog alata moraju odgovarati dimenzijama vašeg električnog alata. Pogrešno dimenzionirani električni alati ne mogu se dovoljno zaštititi ili kontrolirati.

f) Brusne ploče, prirubnice, brusni tanjuri ili ostali pribor moraju biti točno prilagođeni brusnom vretenu vašeg električnog alata. Radni alati koji ne odgovaraju točno brusnom vretenu električnog alata, okreću se nejednolično, vrlo jako vibriraju i mogu dovesti do gubitka kontrole nad električnim alatom.

g) Ne koristite oštećene radne alate. Prije svake primjene kontrolirajte radne alate, brusne tanjure na pukotine, trošenje ili veću istrošenost. Ako bi električni alat ili radni alat pao, provjerite da li je oštećen ili koristite neoštećeni radni alat. Kada koristite ili kontrolirate radni alat, osobe koje se nalaze blizu držite izvan ravnine rotirajućeg radnog alata i ostavite električni alat da se jednu minutu vrti sa maksimalnim brojem okretaja. Oštećeni radni alati najčešće se lome u vrijeme ovakvih ispitivanja.

h) Nosite osobnu zaštitnu opremu. Ovisno od primjene koristite masku za zaštitu lica i zaštitne naočale. Ukoliko je to potrebno, nosite masku za zaštitu od prašine, štitnike za sluh, zaštitne rukavice ili specijalne pregače, koje će vas zaštititi od sitnih čestica od brušenja i materijala. Oči treba zaštititi od letućih stranih tijela koja nastaju kod različitih primjena. Zaštitne maske protiv prašine ili za disanje moraju profiltrirati prašinu nastalu kod primjene. Ako ste dulje vrijeme izloženi buci, mogao bi vam se pogoršati sluh.

i) Ako radite sa drugim osobama, pazite na siguran razmak do njihovog radnog područja. Svatko tko stupi u radno područje mora nositi osobnu zaštitnu opremu. Odlomljeni komadići izratka ili odlomljeni radni alati mogu odetjeti i uzrokovati ozljede i izvan neposrednog radnog područja.

j) Ako izvodite radove kod kojih bi radni alat mogao zahvatiti skrivene električne vodove ili vlastiti priključni kabel, električni alat držite samo za izolirane ručke. Kontakt sa električnim vodom pod naponom, stavlja pod

napon i metalne dijelove električnog alata i dovodi do električnog udara.

k) Priključni kabel držite dalje od rotirajućeg radnog alata. Ako bi izgubili kontrolu nad električnim alatom, mogao bi se odrezati ili zahvatiti priključni kabel, a mogao bi zahvatiti i vaše ruke i šake.

l) Električni alat nikada ne odlažite prije nego što se radni alat potpuno zaustavi. Rotirajući radni alat mogao bi dodirnuti površinu odlaganja, zbog čega bi mogli izgubiti kontrolu nad električnim alatom.

m) Ne dopustite da električni alat radi dok ga nosite. Rotirajući radni alat bi slučajnim kontaktom mogao zahvatiti vašu odjeću, a radni alat bi vas mogao ozlijediti.

n) Redovito čistite otvore za hlađenje vašeg električnog alata. Ventilator motora uvlači prašinu u kućište električnog alata, a veliko nakupljanje metalne prašine može uzrokovati električne opasnosti.

o) Električni alat ne koristite blizu zapaljivih materijala. Iskre bi mogle zapaliti ove materijale.

p) Ne koristite radne alate koji zahtijevaju tekuća rashladna sredstva. Primjena vode ili ostalih tekućih rashladnih sredstava može dovesti do električnog udara.

Povratni udar i odgovarajuće upute upozorenja

Povratni udar je iznenadna reakcija zbog radnog alata koji se je zaglavio ili blokirao, kao što su brusilice, brusni tanjuri, čelične četke itd. Zaglavljivanje ili blokiranje dovodi do naglog zaustavljanja rotirajućeg radnog alata. Zbog toga će se nekontrolirani električni alat ubrzati u smjeru suprotnom od smjera rotacije radnog alata na mjestu blokiranja.

Ako bi se npr. brusna ploča zaglavila ili blokirala u izratku, tada rub brusne ploče koja je zarezala u izradak može odlomiti brusnu ploču ili uzrokovati povratni udar. Brusna ploča se kod toga pomiče prema osobi koja rukuje električnim alatom ili od nje, ovisno od smjera rotacije brusne ploče na mjestu blokiranja.

Povratni udar je posljedica pogrešne ili neispravne uporabe električnog alata. On se može spriječiti prikladnim mjerama opreza, kao što su dolje opisane.

a) Električni alat držite čvrsto i vaše tijelo i ruke dovedite u položaj u kojem možete preuzeti silu povratnog udara. Ukoliko postoji koristite uvijek dodatnu ručku, kako bi imali najveću moguću kontrolu nad silama povratnog udara ili momentima reakcije kod rada električnog alata. Osoba koja rukuje električnim alatom može prikladnim mjerama opreza ovladati povratnim udarom ili silama reakcije.

b) Vaše ruke nikada ne stavljajte blizu rotirajućeg radnog alata. Radni alat se kod povratnog udara može pomaknuti preko vaših ruku.

c) Vašim tijelom izbjegavajte područja u kojima se električni alat pomiče kod povratnog udara. Povratni udar potiskuje električni alat u smjeru suprotnom od pomicanja brusne ploče na mjestu blokiranja.

d) Posebno opreznim radom u području uglova, oštrih rubova, itd. spriječite čete da se radni alat odbaci od izratka i da se u njemu uključi. Rotirajući radni alat kada se odbije na uglovima ili oštrim rubovima, sklon je uklještenju. To uzrokuje gubitak kontrole nad radnim alatom ili povratni udar.

e) Ne koristite lančane ili nazubljene listove pile. Takvi radni alati često uzrokuju povratni udar ili gubitak kontrole nad električnim alatom.

AS 12 E:

Posebne upute upozorenja za brušenje brusnim papirom

a) Ne koristite predimenzionirane brusne listove, nego se pridržavajte podataka proizvođača za veličine brusnih listova. Brusni listovi koji strše izvan brusnih

tanjura mogu uzrokovati ozljede i dovesti do blokiranja, trganja brusnih listova ili do povratnog udara.

AP 12 E:

Posebne napomene upozorenja za poliranje

a) Ne dopustite labave dijelove haube za poliranje, osobito uzice za pričvršćenje. Uzice za pričvršćenje na odgovarajući način smjestite ili skratite. Ovakve labave uzice koje rotiraju mogle bi zahvatiti vaše prste ili izradak.

Utičnice na vanjskom području moraju biti opremljene zaštitnim prekidačima za pogrešnu struju (FI, RCD, PRCD). To zahtijeva instalacijski propis za električne uređaje. Molimo da ovo poštujuete prilikom upotrebe našeg aparata.

Piljevina ili iverje se za vrijeme rada stroja ne smiju odstranjivati.

Samo isključeni stroj priključiti na utičnicu.

Ne sezati u područje opasnosti radećeg stroja.

Uvijek primijeniti dodatnu ručicu.

Aparat odmah isključiti, ako dođe do bitnih titranja, ili ako se utvrde drugi nedostaci. Provjerite stroj, kako bi utvrdili uzrok.

Brusne ploče upotrijebiti i čuvati uvijek po podacima proizvođača.

Kod brušenja metala dolazi do iskrenja. Obratiti pažnju, da se ne ugrožavaju osobe. Zbog opasnosti od požara u blizini se ne smiju nalaziti gorivi materijali (područje leta iskri). Ne primijeniti usisavanje prašine.

Aparat uvijek držati tako, da iskre i prašina od brušenja lete u suprotnom smjeru od tijela.

Matica prirubnice mora prije puštanja stroja u rad biti zategnuta.

Radni predmet koji se obrađuje mora biti čvrsto stegnut, ako se ne drži svojom osobnom težinom. Radni predmet ne nikada voditi rukom prema ploči.

Kod ekstremnih uslova radova (npr. kod glatkog brušenja metala sa potporim tanjuroim i diskovima od vulkaniziranog vlakna za brušenje) se može naložiti jaki talog prljavštine u unutrašnjosti kutnog brusaač. Pod ovakvim radnim uvjetima je iz sigurnosnih razloga potrebno temeljno čišćenje naslaga metala u unutrašnjosti i u svakom slučaju je potrebno preduključenje zaštitnog prekidača struje kvara (FI). Poslije odgovora FI-zaštitnog prekidača se stroj mora poslati na popravak.

Kod brusnih sredstava, koja bi trebala biti opremljeni pločom sa navojem, utvrditi, da li je navoj u ploči dovoljno dug za vreteno.

PROPIŠNA UPOTREBA

AP 12 E: Polirač se primjenjuje kod poliranja lakova, premaza, umjetnih materijala i drugih glatkih površina.

AS 12 E: Brusač je prikladan za brušenje površina drva, plastike i metala.

Ovaj aparat se smije upotrijebiti samo u određene svrhe kao što je navedeno.

CE-IZJAVA KONFORMNOSTI

Izjavljujemo na osobnu odgovornost, da se ovaj proizvod slaže sa slijedećim normama ili normativnim dokumentima. EN 60745, EN 55014-1, EN 55014-2, EN 61000-3-2, EN 61000-3-3, po odredbama smjernica 2006/42/EG, 2004/108/EG.



Winnenden, 2010-01-10

Rainer Kumpf

Rainer Kumpf
Manager Product Development

Ovlašten za formiranje tehničke dokumentacije.

PRIKLJUČAK NA MREŽU

Priključiti samo na jednofaznu naizmjeničnu struju i samo na napon struje, naveden na pločici snage. Priključak je moguć i na utičnice bez zaštitnog kontakta, jer postoji dodatna zaštitna klasa II.

ODRŽAVANJE

Proreze za prozračivanje stroja uvijek držati čistima.

Primijeniti samo AEG opremu i rezervne dijelove. Sastavne dijelove, čija zamjena nije opisana, dati zamijeniti kod jedne od AEG servisnih službi (poštivati brošuru Garancija/Adrese servisa).

Po potrebi se može zatražiti crtež eksplozije aparata uz davanje podataka o tipu stroja i desetoznamenastog broja na pločici snage kod Vaše servisne službe ili direktno kod AEG Elektrowerkzeuge, Max-Eyth-Straße 10, D-71364 Winnenden, Germany.

SIMBOLI



Molimo da pažljivo pročitate uputu o upotrebi prije puštanja u rad.



Kod radova na stroju uvijek nositi zaštitne naočale.



Prije svih radova na stroju utikač izvući iz utičnice.



Oprema - u opsegu isporuke nije sadržana, preporučena dopuna iz promgrama opreme.



Električne alate ne odlažite u kućne otpatke! Prema Europskoj direktivi 2002/96/EG o starim električnim i elektroničkim strojevima i preuzimanju u nacionalno pravo moraju se istrošeni električni alati sakupljati odvojeno i odvesti u pogon za reciklažu.

TEHNIŠKIE DATI

Pulētājs/Sliņpētājs

PE 150

/ SE 12-180

Nominālā atdotā jauda.....	1200 W	1200 W
Cietkoks (W).....	600 W	600 W
Apgrīezienu tukšgaitā.....	900-2500 min ⁻¹	1800-4800 min ⁻¹
Maks. tukšgaitas apgrīezienu skaits.....	4700 min ⁻¹	9000 min ⁻¹
Sliņpdisks ar diametru.....	150 mm	180 mm
Vārpstas vijums.....	M 14	M 14
Svars bez tīkla kabeļa.....	2,1 kg	2,5 kg

Trokšņu un vibrāciju informācija

Vērtības, kas noteiktas saskaņā ar EN 60 745.

A novērtētās aparatūras skaņas līmenis ir:

trokšņa spiediena līmenis (K = 3 dB(A)).....	82 dB(A)	82 dB(A)
trokšņa jaudas līmenis (K = 3 dB(A)).....	93 dB(A)	93 dB(A)

Nēsāt trokšņa slāpētājus!

Svārstību kopējā vērtība (Trīs virzienu vektoru summa) tiek noteikta atbilstoši EN 60745.

Pulēšana: svārstību emisiju vērtība a _n	<2,5 m/s ²	- m/s ²
Nedrošība K =.....	1,5 m/s ²	- m/s ²
Sliņpēt ar plastmasas sliņpēšanas ripu: svārstību emisiju vērtība a _n	- m/s ²	2,8 m/s ²
Nedrošība K =.....	- m/s ²	1,5 m/s ²

UZMANĪBU

Instrukcijā norādītā svārstību robežvērtība ir izmērīta mērījumu procesā, kas veikts atbilstoši standartam EN 60745, un to var izmantot elektroinstrumentu savstarpējai salīdzināšanai. Tā ir piemērota arī svārstību noslogojuma pagaidu izvērtēšanai.

Norādītā svārstību robežvērtība ir reprezentatīva elektroinstrumenta pamata pielietojuma jomām. Tomēr, ja elektroinstrumenti tiek pielietoti citās jomās, papildus izmantojot neatbilstošus elektroinstrumentus vai pēc nepietiekamas tehniskās apkopes, tad svārstību robežvērtība var atšķirties. Tas var ievērojami palielināt svārstību noslogojumu visa darba laikā.

Precīzai svārstību noslogojuma noteikšanai, ir jāņem vērā arī laiks, kad ierīces ir izslēgta vai arī ir ieslēgta, tomēr faktiski netiek lietota. Tas var ievērojami samazināt svārstību noslogojumu visa darba laikā.

Integrējiet papildus drošības pasākumus pret svārstību ietekmi lietotājam, piemēram: elektroinstrumentu un darba instrumentu tehniskā apkope, roku siltuma uzturēšana, darba procesu organizācija.

⚠ UZMANĪBU! Izlasiet visu drošības instrukciju un lietošanas pamācību klāt pievienotajā bukletā. Šeit sniegto drošības noteikumu un norādījumu neievērošana var izraisīt aizdegšanos un būt par cēloni elektriskajam triecienam vai nopietnam savainojumam. **Pēc izlasīšanas uzglabājiet šos noteikumus turpmākai izmantošanai.**

SPECIĀLIE DROŠĪBAS NOTEIKUMI

Kopējie drošības noteikumi sliņpēšanai ar smilšpapīra loksni un pulēšanai:

- Šis elektroinstrumenti ir lietojams kas piemērota arī pulēšanai (tikai attiecībā uz AP 12 E) un sliņpēšanai ar smilšpapīra loksni (tikai attiecībā uz AS 12 E). Ņemiet vērā visas elektroinstrumentam pievienotās instrukcijas, norādījumus, attēlus un citu informāciju. Turpmāk sniegto norādījumu neievērošana var kļūt par cēloni elektriskajam triecienam, ugunsgrēkam un/vai smagam savainojumam.
- Šis elektriskais darbarīks nav piemērots smilšpapīra sliņpēšanai (tikai attiecībā uz AP 12 E), pulēšanai (tikai attiecībā uz AS 12 E), sliņpēšanai, darbam ar metāla birstēm un leņķa sliņpmašīnām. Šīs ierīces izmantošana mērķiem, kuriem tā nav paredzēta, var to sabojāt.
- Neizmantojiet piederumus, kurus ražotājs firma nav paredzējusi šim elektroinstrumentam un ieteikusi lietošanai kopā ar to, iespēja nostiprināt piederumu uz elektroinstrumenta vēl negarantē tā drošu lietošanu.
- Iestiprināmā darbinstrumenta pieļaujamajam griešanās ātrumam jābūt ne mazākam par elektroinstrumenta lielāko norādīto griešanās ātrumu. Piederums, kas griežas ātrāk, nekā pieļaujams, var salūzt un tikt mests prom.
- Darbinstrumentu ārējam diametram un biežumam jāatbilst elektroinstrumenta konstrukcijai un izmēriem. Ja darbinstrumenta izmēri ir izvēlēti nepareizi, tas pilnībā

nenovietojas zem aizsarga un darba laikā apgrūtina instrumenta vadību.

f) Sliņpēšanas diskam, balstapvlāksnei, sliņpēšanas pamatnei vai citiem piederumiem precīzi jānovietojas uz elektroinstrumenta darbvārpstas. Nomaināmie darbinstrumenti, kas precīzi neatbilst elektroinstrumenta darbvārpstas konstrukcijai, nevienmērīgi griežas, ļoti spēcīgi vibrē un var būt par cēloni kontroles zaudēšanai pār instrumentu.

g) Neizmantojiet bojātus darbinstrumentus. Ik reizi pirms darbinstrumentu lietošanas pārbaudiet, vai tie nav bojāti, vai sliņpēšanas diski nav atslāņojušies vai ieplaisājuši, vai sliņpēšanas pamatnē nav vērojamas plaisas un vai stiepli suku veidojošās stieples. Ja elektroinstrumenti vai darbinstrumenti ir kritis no zināma augstuma, pārbaudiet, vai tas nav bojāts, vai arī izmantojiet darbam nebojātu darbinstrumentu. Pēc darbinstrumenta apskates un iestiprināšanas ļaujiet elektroinstrumentam darboties ar maksimālo griešanās ātrumu vienu minūti ilgi, turot rotējošo darbinstrumentu drošā attālumā no sevis un citām tuvumā esošajām personām. Bojāti darbinstrumenti šādas pārbaudes laikā parasti salūst.

h) Lietojiet individuālos darba aizsardzības līdzekļus. Atkarībā no veicamā darba rakstura izvēlieties pilnu sejas aizsargu, noslēdzošās aizsargbrilles vai parastās aizsargbrilles. Lai aizsargātos no lidojošajām sliņpēšanas darbinstrumenta un apstrādājamā materiāla daļiņām, pēc vajadzības lietojiet putekļu aizsargmasku, ausu aizsargus un aizsargcimdus vai arī īpašu priekšautu. Lietotāja acis jāpasargā no lidojošajiem svešķermeņiem, kas dažkārt rodas darba gaitā. Putekļu aizsargmaskai vai respiratoram jāpasargā lietotāja elpošanas ceļi no putekļiem, kas veidojas darba laikā. Ilgstoši atrodoties stipra trokšņa iespaidā, var rasties paliekoši dzirdes traucējumi.

i) Sekojiet, lai citas personas atrastos drošā attālumā no darba vietas. Ikvienam, kas atrodas darba vietas tuvumā, jālieto individuālie darba aizsardzības līdzekļi. Apstrādājamā priekšmeta atlūzas vai salūzuša darbinstrumenta daļas var lidot ar ievērojamu ātrumu un nodarīt kaitējumu cilvēku veselībai arī ievērojamā attālumā no darba vietas.

j) Ja darbinstruments var skart slēptu elektropārvades līniju vai instrumenta elektrokabeli, darba laikā turiet elektroinstrumentu aiz izolētajiem rokturiem, nepieskaroties metāla daļām. Darbinstrumentam skart spriegumnesošu elektrotīkla vadu, spriegums nonāk arī uz elektroinstrumenta metāla daļām un var būt par cēloni elektriskajam triecienam.

k) Netuviniet rotējošu darbinstrumentu elektrokabelim. Zūdot kontrolei pār instrumentu, darbinstruments var pārgriezt kabeli vai iekerties tajā, kā rezultātā kāda no lietotāja ķermeņa daļām var saskarties ar rotējošo darbinstrumentu.

l) Nenovietojiet elektroinstrumentu, kamēr tā jāiestiprinātais darbinstruments nav pilnīgi apstājies. Rotējošais darbinstruments var skart atbalsta virsmu, kā rezultātā elektroinstrumenta daļas var kļūt nevadāmas.

m) Nedarbiniet elektroinstrumentu laikā, kad tas tiek pārvietots. Lietotāja apģērbs vai mati var nejauši nonākt saskarē ar rotējošo darbinstrumentu un iekerties tajā, izraisot darbinstrumenta saskaršanos ar lietotāja ķermeni.

n) Regulāri tīriet elektroinstrumenta ventilācijas atveres. Dzinēju ventilējošā gaisa plūsma ievēl putekļus instrumenta korpusā, bet liela metāla putekļu daudzuma uzkrāšanās var būt par cēloni elektrotraumai.

o) Nelietojiet elektroinstrumentu ugunsnedrošu materiālu tuvumā. Lidojošās dzirksteles var izraisīt šādu materiālu aizdegšanos.

p) Nelietojiet nomaināmos darbinstrumentus, kuriem jāpievada dzesējošais šķidrums. Udens vai citu šķidro dzesēšanas līdzekļu izmantošana var būt par cēloni elektriskajam triecienam.

Atsitiens un ar to saistītie norādījumi

Atsitiens ir specifiska instrumenta reakcija, pēkšņi iekertoties vai iestrēgstot rotējošam darbinstrumentam, piemēram, slīpēšanas diskam, slīpēšanas pamatnei, stieplei sukai u. t. t. Rotējošā darbinstrumenta iekēršanās vai iestrēgšana izraisa tā pēkšņu apstāšanos. Tā rezultātā elektroinstrumenta pārvietojas virzienā, kas pretējs darbinstrumenta kustības virzienam iestrēguma vietā, un nereti kļūst nevadāms.

Ja, piemēram, slīpēšanas disks iekēras vai iestrēgst apstrādājamajā priekšmetā, tajā iegremdētā diska mala var izrūties no apstrādājamā materiāla vai izraisīt atsitienu. Šādā gadījumā slīpēšanas disks pārvietojas lietotāja virzienā vai arī prom no viņa, atkarībā no diska rotācijas virziena attiecībā pret apstrādājamo priekšmetu.

Atsitiens ir sekas elektroinstrumenta nepareizai vai neprasmīgai lietošanai. No tā var izvairīties, ievērojot zināmus piesardzības pasākumus, kas aprakstīti turpmākajā izklāstā.

a) Stingri turiet elektroinstrumentu un ieņemiet tādu ķermeņa un roku stāvokli, kas vislabāk ļautu pretoties atsitienu spēkam. Vienmēr izmantojiet papildrokturi, kas ļauj optimāli kompensēt atsitienu vai reaktīvo griezes momentu un saglabāt kontroli pār instrumentu. Veicot zināmus piesardzības pasākumus, lietotājs jebkurā situācijā spēj efektīvi pretoties atsitienu un reaktīvajam griezes momentam.

b) Netuviniet rokas rotējošam darbinstrumentam. Atsitienu gadījumā darbinstruments var skart ar lietotāja roku.

c) Izvairieties atrasties vietā, kurp varētu pārvietoties elektroinstrumenta atsitienu brīdī. _Atsitienu brīdī

elektroinstrumenta pārvietojas virzienā, kas pretējs darbinstrumenta kustības virzienam iestrēguma vietā.

d) Ievērojiet īpašu piesardzību, strādājot stūru un asu malu tuvumā. Nepieļaujiet, lai darbinstruments atlektu no apstrādājamā priekšmeta vai iestrēgtu tajā. Saskaroties ar stūriem vai asām malām rotējošais darbinstruments izliecas un atlec no apstrādājamā priekšmeta vai iestrēgst tajā. Tas var būt par cēloni kontroles zaudēšanai pār instrumentu vai atsitienu.

e) Nelietojiet zāģa asmenus, kas apgādāti ar zobiem. Šādu darbinstrumentu izmantošana var būt par cēloni atsitienu vai kontroles zaudēšanai pār elektroinstrumentu.

AS 12 E:

Īpašie drošības noteikumi, veicot slīpēšanu ar smilšpapīra loksni

a) Neizmantojiet lielāka izmēra slīploknes, izvēlieties darbam slīploknes ar izmēriem, ko norādījusi ražotājs. Ja slīplokne sniedz pāri slīpēšanas pamatnes malām, tas var būt par cēloni savainojumam, izsaukt slīploknes iestrēgšanu vai plīšanu, kā arī izraisīt atsitienu.

AP 12 E:

Pašie drošības noteikumi, veicot pulēšanu

a) Neatstājiet nenostiprinātas pulējošā uzliktna daļas, īpaši tā stiprinošās atsaites. Aptiniet un sasieniet vai sausiniet stiprinošās atsaites. Nenostiprinātas, kopā ar uzliktni rotējošās stiprinošās atsaites var skart lietotāja rokas un aptīties ap pirkstiem vai iekerties apstrādājamajā priekšmetā.

Kontaktilgldzām, kas atrodas ārpus telpām jābūt aprīkotām ar automātiskiem drošinātājslēdzīem, kas nostrādā, ja strāvas plūsmā radušies (FI, RCD, PRCD) bojājumi. To pieprasa jūsu elektroiekārtas instalācijas noteikumi. Lūdz, to ņemt vērā, izmantojot mūsu instrumentus.

Skaidas un atlūzas nedrīkst ņemt ārā, kamēr mašīna darbojas.

Mašīnu pievienot kontaktilgldzai tikai izslēgtā stāvoklī.

Nelikt rokas mašīnas darbības laukā.

Vienmēr vajag izmantot papildus rokturi.

Ja parādās stipras svārstības vai citi defekti, mašīnu vajag nekavējoties izslēgt. Mašīnu vajag nekavējoties pārbaudīt, lai noteiktu traucējumu cēloņus.

Slīpdiskus drīkst izmantot uz glabāt tikai saskaņā ar ražotāja ieteikumiem.

Slīpējot metālu, rodas dzirkstes. Vajag uzmanīties, lai netiktu apdraudētas personas. Sakarā ar ugunsgrēka draudiem, tuvumā (dzirksteļu tuvumā) nedrīkst atrasties viegli degošas vielas vai priekšmeti. Nedrīkst izmantot putekļu sūcēju.

Mašīnu vajag turēt tā, lai dzirksteles vai slīpēšanas rezultātā radušies putekļi lidotu prom no ķermeņa.

Disku saturošo uzgriezni pirms mašīnas darba uzsākšanas vajag pievilkt.

Apstrādājamā detaļa, ja tā neturas, pamatojoties uz savu svaru, ir jāpiestiprina. Nekādā gadījumā apstrādājamo detaļu nedrīkst spiest pie ripas ar roku.

Izmantojot ekstrēmās lietošanas apstākļos (piem., metālu slīpējot ar šķīvjuveida disku un vulkanizētās fibras slīpēšanas diskam), leņķa slīpmašīnas iekšpusē var rasties spēcīgs piesārņojums. Šādos lietošanas apstākļos drošības apsverumu dēļ ir nepieciešama kārtīga ierīces iekšpuses attīrīšana no metāla nogulsnešiem, un ir obligāta noplūdstrāvas aizsargslēdža (FI) iepriekšēja ieslēgšana. Ja FI aizsargslēdzis iedarbojas, ierīce jānodod remontā.

Attiecībā uz slīpēšanas materiāliem, ko paredzēts izmantot ar ripu, kurai ir vītne, vajag pārliecināties par to, ka ripas vītnes izmērs atbilst vārpstas izmēram.

NOTEIKUMIEM ATBILSTOŠS IZMANTOJUMS

AP 12 E: Pulēšanas ierīci var izmantot laku, pārklājumu, plastmasu un citu gludu virsmu pulēšanai.

AS 12 E: Slīpmašīna ir izmantojama koka, plastmasas un metāla virsmu slīpēšanai.

Šo instrumentu drīkst izmantot tikai saskaņā ar minētajiem lietošanas noteikumiem.

ATBILSTĪBA CE NORMĀM

Ar šo apliecinām, ka esam atbildīgi par to, lai šis produkts atbilstu sekojošām normām vai normatīvajiem dokumentiem: EN 60745, EN 55014-1, EN 55014-2, EN 61000-3-2, EN 61000-3-3, saskaņā ar direktīvu 2006/42/EG, 2004/108/EG noteikumiem.



Winnenden, 2010-01-10

Rainer Kumpf
Manager Product Development

Pilnvarotais tehniskās dokumentācijas sastādīšanā.

TĪKLA PIESLĒGUMS

Pieslēgt tikai vienkāršā maiņstrāvas tīklam un tikai spriegumam, kas norādīts uz jaudas paneļa. Pieslēgums iespējams arī kontaktilgldzām bez aizsargkontaktiem, jo runa ir par uzbuvi, kas atbilst II. aizsargklasei.

APKOPE

Vajag vienmēr uzmanīties, lai būtu fīras dzesēšanas atveres.

Izmantojiet tikai firmu AEG piederumus un firmas rezerves daļas. Lieciet nomainīt detaļas, kuru nomaļa nav aprakstīta, kādā no firmu AEG klientu apkalpošanas servisiem. (Skat. brošūru "Garantija/klientu apkalpošanas serviss".)

Ja nepieciešams, klientu apkalpošanas servisā vai tieši pie firmas AEG Elektrowerkzeuge, Max-Eyth-Straße 10, D-71364 Winnenden, Germany, var pieprasīt instrumenta eksplozijas zīmējumu, šim nolūkam jāuzrāda mašīnas tips un desmitvietīgais numurs, kas norādīts uz jaudas paneļa.

SIMBOLI



Pirms sākt lietot instrumentu, lūdz, izlasiet lietošanas pamācību.



Strādājot ar mašīnu, vienmēr jānēsā aizsargbrilles.



Pirms veicat jebkādas darbības attiecībā uz mašīnas apkopi, atvienojiet kontaktdakšu no kontaktilgldzas.



Piederumi - standartaprīkojumā neietvertās, bet ieteicamās papildus komplektācijas detaļas no piederumu programmas.



Neizmetiet elektroiekārtas sadzīves atkritumos! Saskaņā ar Eiropas Direktīvu 2002/96/EG par lietotajam lektroiekārtam, elektronikas iekārtam un tas iekļaušanu valsts likumdošana lietotas ekroiekārtas ir jāsavac atsevišķi un jānogada otrreizējai pārstrādei videi draudzīga veida.

TECHNINIAI DUOMENYS	Poliruoklis/Šlifuoaklis	AP 12 E	AS 12 E
Vardinė imamoji galia	1200 W	1200 W	1200 W
Išėjimo galia (W).....	600 W	600 W	600 W
Sūkių skaičius laisva eiga.....	900-2500 min ⁻¹	1800-4800 min ⁻¹	
Maks. sūkių skaičius laisva eiga	4700 min ⁻¹	9000 min ⁻¹	
Šlifavimo diskų ø	150 mm	180 mm	
Suklio sriegis	M 14	M 14	
Svoris be maitinimo laido.....	2,2 kg	2,5 kg	

Informacija apie triukšmą/vibraciją

Vertės matuotos pagal EN 60 745.

Įvertintas A įrenginio keliamo triukšmo lygis dažniausiai sudaro:

Garso slėgio lygis (K = 3 dB(A)).....	82 dB(A)	82 dB(A)
Garso galios lygis (K = 3 dB(A)).....	93 dB(A)	93 dB(A)

Nešioti klausos apsaugines priemones!

Bendroji svyravimų reikšmė (trijų krypčių vektorių suma), nustatyta remiantis EN 60745.

Poliravimas: vibravimo emisijos vertė a _v	<2,5 m/s ²	- m/s ²
Paklaida K =	1,5 m/s ²	- m/s ²
Šlifavimas naudojant plastmasinį šlifavimo diską: vibravimo emisijos vertė a _v	- m/s ²	2,8 m/s ²
Paklaida K =	- m/s ²	1,5 m/s ²

DĖMESIO

Instrukcijoje nurodyta svyravimų ribinė vertė yra išmatuota remiantis standartu EN 60745; ji gali būti naudojama keliems elektriniams instrumentams palyginti. Ji taikoma ir laikinai įvertinti svyravimų apkrova.

Nurodyta svyravimų ribinė vertė yra taikoma pagrindinėse elektrinio instrumento naudojimo srityse. Svyravimų ribinė vertė gali skirtis naudojant elektrinį instrumentą kitose srityse, papildomai naudojant netinkamus elektrinius instrumentus arba juos nepakankamai techniškai prižiūrint. Dėl to viso darbo metu gali žymiai padidėti svyravimų apkrova.

Siekiant tiksliai nustatyti svyravimų apkrovą, būtina atsižvelgti ir į laikotarpį, kai įrenginys yra išjungtas arba įjungtas, tačiau faktiškai nenaudojamas. Dėl to viso darbo metu gali žymiai sumažėti svyravimų apkrova.

Siekiant apsaugoti vartotojus nuo svyravimo įtakos naudojamos papildomos saugos priemonės, pavyzdžiui, elektrinių darbo instrumentų techninė priežiūra, rankų šilumos palaikymas, darbo procesų organizavimas.

⚠ DĖMESIO! Perskaitykite visas saugumo pastabas ir nurodymus, esančius pridėtoje brošiūroje. Jei nepaisysite žemiau pateiktų saugos nuorodų ir reikalavimų, gali trenkti elektros smūgis, kilti gaisras ir/arba galite sunkiai susižaloti arba sužaloti kitus asmenis. **Išsaugokite šias saugos nuorodas ir reikalavimus, kad ir ateityje galėtumėte jais pasinaudoti.**

YPATINGOS SAUGUMO NUORODOS

Bendros įspėjamosios kurių būtina laikytis šlifuojant ir poliruojant:

a) Šį elektrinį prietaisą galima naudoti kaip skirtą poliravimo mašiną (tik AP 12 E) ir šlifuoti abrazyviniais diskais (tik AS 12 E). Griežtai laikykis visų įspėjamųjų nuorodų, taisyklių, ženklų ir užrašų, kurie yra pateikiami su šiuo prietaisu, reikalavimų. Jei nepaisysite toliau pateiktų nuorodų, gali kilti elektros smūgio, gaisro ir/arba sunkių sužalojimų pavojus.

b) Šis elektrinis įrankis nėra skirtas šlifuoti švitrui (tik AP 12 E), poliruoti (tik AS 12 E), pjovimas ir rupusis šlifavimas, dirbant su vielesniais šepetiais. Jei įrankį naudojate ne pagal paskirtį, galite sukelti pavojų ir susižaloti.

c) **Nenaudokite jokių priedų ir papildomos įrangos, kurių gamintojas nėra specialiai numatęs ir rekomendavęs šiam elektriniam prietaisui.** Vien tik tas faktas, kad Jūs galite pritvirtinti kokį nors priedą prie elektrinio prietaiso, jokių būdu negarantuoja, kad juo bus saugu naudotis.

d) Darbo įrankio leistinas sūkių skaičius turi būti ne mažesnis už aukščiausią sūkių skaičių, nurodytą ant elektrinio prietaiso. Įrankis, kuris sukasi greičiau, nei yra leistina, gali lūžti ir nulėkti nuo prietaiso.

e) Naudojamo įrankio išorinis skersmuo ir storis turi atitikti nurodytus Jūsų elektrinio prietaiso matmenis. Netinkamų matmenų įrankius gali būti sunku tinkamai apdengti bei valdyti.

f) **Šlifavimo diskai, jungės, šlifavimo žiedai ar kiti darbo įrankiai turi tiksliai tikti elektrinio prietaiso šlifavimo sukliui.** Darbo įrankiai, kurie tiksliai netinka šlifavimo sukliui, sukasi netolygiai, labai stipriai vibruoja ir gali tapti nebevaldomi.

g) **Nenaudokite pažeistų darbo įrankių. Prieš kiekvieną naudojimą patikrinkite darbo įrankius, pvz. šlifavimo žiedus – ar jie nėra įtrūkę, susidėvėję ir labai nudilę. Jei elektrinis prietaisas ar darbo įrankis nukrito iš didesnio aukščio, patikrinkite, ar jis nėra pažeistas, arba naudokite kitą, nepažeistą, darbo įrankį. Patikrinę ir sumontavę darbo įrankį pasirūpinkite, kad nei Jūs, nei greta esantys asmenys nebūtų besisukančio darbo įrankio plokštumoje, ir leiskite elektriniam prietaisui vieną minutę veikti didžiausiu sūkių skaičiumi.** Jei darbo įrankis pažeistas, per šį bandomąjį laiką jis turėtų subyrėti.

h) **Dirbkite su asmeninėmis apsaugos priemonėmis. Atitinkamai pagal atliekamą darbą užsidėkite viso veido apsaugos priemones, akių apsaugos priemones ar apsauginius akinius. Jei nurodyta, užsidėkite apsauginį respiratorių nuo dulkių, klausos apsaugos priemones, apsaugines pirštines ir specialią prijuostę, kuri apsaugos Jus nuo smulkių šlifavimo ir ruošinio dalelių.** Akys turi būti apsaugotos nuo aplink liekančių svetimkūnių, atsirandančių atliekant įvairius darbus. Respiratorius arba apsauginę kaukė turi išfiltruoti darbo metu kylančias dulkes. Dėl ilgalaikio ir stipraus triukšmo poveikio galite prarasti klausą.

i) **Pasirūpinkite, kad kiti asmenys būtų saugiai atstumu nuo Jūsų darbo zonos. Kiekvienas, įžengęs į darbo zoną, turi būti su asmeninėmis apsaugos priemonėmis.** Ruošinio gabalėliai ar atskilusios darbo įrankio dalelės gali skrieti dideliu greičiu ir sužeisti net už tiesioginės darbo zonos ribų esančius asmenis.

j) **Jei yra tikimybė, jog dirbant įrankis gali kliudyti paslėptą laidą, prietaisą laikykite tik už izoliuotų rankenų.** Dėl kontakto su laidininku, kuriuo teka el. srovė,

prietaiso metalinėse dalyse gali atsirasti įtampa ir sukelti elektros smūgio pavojų.

k) **Maitinimo laidą laikykite toliau nuo besisukančių darbo įrankių.** Jei nebesuvaldytumėte prietaiso, darbo įrankis gali perpjauti maitinimo laidą arba jį įtraukti, o Jūsų plaštaka ar ranka gali patekti į besisukančių darbo įrankį.

l) **Niekada nepadėkite elektrinio prietaiso, kol darbo įrankis visiškai nesustojo.** Besisukantis darbo įrankis gali prisiliesti prie paviršiaus, ant kurio padedate prietaisą, ir elektrinis įrankis gali tapti nebevaldomas.

m) **Nešdami prietaisą jo niekada neįjunkite.** Netyčia prisilietus prie besisukančio darbo įrankio, jis gali įtraukti drabužius ir Jus sužeisti.

n) **Reguliariai valykite elektrinio prietaiso ventiliacines angas.** Variklio ventiliatorius traukia dulkes į korpusą, ir susikaupus daug metalo dulkių gali kilti elektros smūgio pavojus.

o) **Nenaudokite elektrinio prietaiso arti degių medžiagų.** Kibirkštys šias medžiagas gali uždegti.

p) **Nenaudokite darbo įrankių, kuriuos reikia aušinti skysčiais.** Naudojant vandenį ar kitokius aušinamuosius skysčius gali trenkti elektros smūgis.

Atatranka ir atitinkamos įspėjamosios nuorodos

Atatranka yra staigi reakcija, atsirandanti, kai besisukantis darbo įrankis, pvz., šlifavimo diskas, šlifavimo žiedas, vielesnis šepetys ar kt., ruošinyje įstringa ar užsiblokuoja ir todėl netikėtai sustoja. Todėl elektrinis prietaisas gali nekontroliuojamai atšokti nuo ruošinio priešinga darbo įrankio sukimosi kryptimi.

Pvz., jei ruošinyje įstringa ar yra užblokuojamas šlifavimo diskas, disko briauna, kuri yra ruošinyje, gali išlūžti ar sukelti atatranką. Tada šlifavimo diskas, priklausomai nuo jo sukimosi krypties blokuojamo vietoje, pradeda judėti link dirbančiojo arba nuo jo.

Atatranka yra netinkamo elektrinio prietaiso naudojimo ar gedimo pasekmė. Jos galite išvengti, jei imsitės atitinkamų, žemiau aprašytų priemonių.

a) **Dirbdami visada tvirtai laikykite prietaisą abiem rankom ir stenkitės išlaikyti tokią kūno ir rankų padėtį, kurioje sugebėtumėte atsispirti prietaiso pasipriešinimo jėgai atatranks metu. Jei yra papildoma rankena, visada ją naudokite, tada galėsite suvaldyti atatranks jėgas bei reakcijos jėgų momentą.** Dirbantysis, jei imsis tinkamų saugos priemonių, gali suvaldyti reakcijos jėgas atatranks metu.

b) **Niekada nelaikykite rankų arti besisukančio darbo įrankio.** Įvykus atatrankai įrankis gali pataikyti į Jūsų ranką.

Venkite, kad Jūsų rankos būtų toje zonoje, kurioje įvykus atatrankai judės elektrinis prietaisas. Atatranks jėga verčia elektrinį prietaisą judėti nuo blokuojamo vietos priešinga šlifavimo disko sukimosi kryptimi.

c) **Ypač atsargiai dirbkite kampuose, ties aštriomis briaunomis ir t. t. Saugokite, kad darbo įrankis neatsimūštų į klijūtis ir neįstringtų.** Besisukantis darbo įrankis kampuose, ties aštriomis briaunomis arba atsimušęs į klijūtį turi tendenciją užstringti. Tada prietaisas tampa nevaldomas arba įvyksta atatranka.

d) **Nenaudokite skirtų medienai pjauti ar kitokių dantytų diskų.** Tokie darbo įrankiai dažnai sukelia atatranką arba elektrinis prietaisas tampa nevaldomas.

AS 12 E: Specialios įspėjamosios nuorodos atliekantiems šlifavimo naudojant šlifavimo popierių darbus

a) **Nenaudokite per didelių matmenų šlifavimo popieriaus, laikykitės gamintojo pateiktų šlifavimo popieriaus matmenų.** Už šlifavimo žiedo kyšantis šlifavimo popierius gali sužaloti, užblokuoti, šlifavimo popierius gali įplyšti ar įvykti atatranka.

AP 12 E: Specialios saugos nuorodos poliruojant

a) **Nepalikite jokių laisvų poliravimo gaubtės dalių, ypač tvirtinimo raiščių. Suvyniokite arba sutrupinkite tvirtinimo raiščius.** Atsilaisvinę, kartu besisukantis tvirtinimo raiščiai gali apsvyriuoti aplink Jūsų pirštus ar užsikabinti už ruošinio.

Lauke esantys el. lizdai turi būti su gedimo srovės išjungikliais. Tai nurodyta Jūsų elektros įrenginio instaliacijos sąlygose (FI, RCD, PRCD). Atsižvelkite į tai, naudodami prietaisą.

Draudžiama išiminti drožles ar nuopjovas, įrenginiui veikiant.

Kištuką į lizdą įstatykite, tik kai įrenginys išjungtas.

Nekiškite rankų į veikiančio įrenginio pavojaus zoną.

Visada naudokite papildomą rankeną.

Prietaisą tuoj pat išjunkite, jei atsiranda stiprus virpesiai arba kiti trūkumai. Patikrinkite įrenginį ir nustatykite priežastį.

Šlifavimo diskus visada naudokite ir laikykite pagal gamintojo nurodymus.

Šlifuojant metalus reikia kibirkštys. Atkreipkite dėmesį, kad nesukeltumėte pavojaus kitiems asmenims. Dėl gaisro pavojaus arti (kibirkščių lėkimo srityje) neturi būti jokių degių medžiagų. Nenaudokite dulkių nusiurbimo.

Prietaisą visada laikykite taip, kad dulks ir kibirkštys lėktų nuo kūno tolyn.

Prieš paleidžiant įrenginį, reikia priveržti jungės veržlę.

Apdorojama detalė, jei ji nesilaiko savo svoriu, visada turi būti įtvirtinta. Niekada detalių prie disko neveskite ranka.

Kampinį šlifuoaklį naudojant ekstremaliosiomis sąlygomis (pvz., kai, naudojant atraminį diską ir šlifavimo diskus iš vulkanizuotos celiuliozės, šlifavimu lyginami metalai), jo vidus gali labai užsiteršti. Saugumo sumetimais, esant tokioms eksploatacijos sąlygoms, būtina vidų kruopščiai valyti nuo metalo nuosėdų ir privaloma jungti per apsauginį nuotėkio srovės (FI) jungiklį. Apsauginiam FI jungikliui suveikus mašiną reikia atsiųsti remontui.

Jei prie šlifavimo priemonės reikia naudoti ir diską su sriegiu, įsitinkinkite, kad disko sriegio ilgis pakankamas sukliui.

NAUDOJIMAS PAGAL PASKIRTĮ

AP 12 E: Poliruoklius galima naudoti lakų, dangų, plastikų ir kitų lygių paviršių poliravimui.

AS 12 E: Šlifuoaklis tinka medienos, plastiko ir metalo paviršių šlifavimui.

Šį prietaisą leidžiama naudoti tik pagal nurodytą paskirtį.

CE ATITIKTIES PAREIŠKIMAS

Mes atsakingai pareiškiame, kad šis gaminytis atitinka tokias normas arba normatyvinius dokumentus: EN 50144, EN 55014-1, EN 55014-2, EN 61000-3-2, EN 61000-3-3, pagal direktyvų 2006/42/EB, 2004/108/EB reikalavimus.



Winnenden, 2010-01-10

Rainer Kumpf

Rainer Kumpf
Manager Product Development

Įgaliotas parengti techninius dokumentus.

ELEKTROS TINKLO JUNGTIŠ

Jungti tik prie vienfazės kintamos elektros srovės ir tik j specifkacijų lentelėje nurodytos įtampos elektros tinklą. Konstrukcijos saugos klasė II, todėl galima jungti ir j lizdus be apsauginio kontakto.

TECHNINIS APTARNAVIMAS

Įrenginio vėdinimo angos visada turi būti švarios.

Naudokite tik AEG priedus ir atsargines dalis. Dalis, kurių keitimas neaprašytas, leidžiama keisti tik AEG klientų aptarnavimo skyriams (žr. garantiją/klientų aptarnavimo skyrių adresus brošiūroje).

Jei reikia, nurodant įrenginio tipą bei specifkacijų lentelėje esantį dešimtženklį numerį, iš klientų aptarnavimo skyriaus arba tiesiai iš AEG Elektrowerkzeuge, Max-Eyth-Straße 10, D-71364 Winnenden, Germany, galima užsisakyti prietaiso surinkimo brėžinius.

SIMBOLIAI



Prieš pradėdami dirbti su prietaisu, atidžiai perskaitykite jo naudojimo instrukciją.



Dirbdami su įrenginiu visada nešiokite apsauginius akinius.



Prieš atlikdami bet kokius darbus įrenginyje, ištraukite kištuką iš lizdo.



Priedas – neįeina j tiekimo komplektaciją, rekomenduojamas papildymas iš priedų asortimento.



Neišmeskite elektros įrengimu i buitinius šiukšlynus! Pagal ES Direktyva 2002/96/EG del naudotu įrengimu, elektros įrengimu ir ju itraukimo i valstybinius istatymus naudotus įrengimus butina suringti atskirai ir nugabenti antriniu žaliavu perdirbimui aplinkai nekenksmingu budu.

TEHNILISED ANDMED

Poleerija/Lihvija

PE 150

/ SE 12-180

Nimitarbinime.....	1200 W	1200 W
Väljundvõimsus	600 W	600 W
Pöörlemiskiirus tühijooksul	900-2500 min ⁻¹	1800-4800 min ⁻¹
Maks pöörlemiskiirus tühijooksul	4700 min ⁻¹	9000 min ⁻¹
Lihvketta ø	150 mm	180 mm
Spindlikeere.....	M 14	M 14
Kaal ilma võrgujuhtmeta.....	2,1 kg	2,5 kg

Müra/vibratsiooni andmed

Mõõteväärtused on kindlaks tehtud vastavalt normile EN 60745.

Seadme tüüpiline hinnanguline (A) müratase:	82 dB(A)	82 dB(A)
Helirõhutamise (K = 3 dB(A))	93 dB(A)	93 dB(A)
Helivõimsuse tase (K = 3 dB(A))		

Kandke kaitseks kõrvaklappe!

Vibratsiooni koguväärtus (kolme suuna vektorsumma)

mõõdetud EN 60745 järgi.	<2,5 m/s ²	- m/s ²
Poleerimine: vibratsiooni emissiooni väärtus a _h	1,5 m/s ²	- m/s ²
Määramatus K =	- m/s ²	2,8 m/s ²
Kunstmaterjalist kettaga lihvimine: vibratsiooni emissiooni väärtus a _h	- m/s ²	1,5 m/s ²
Määramatus K =		

TÄHELEPANU

Antud juhendis toodud võnketase on mõõdetud EN 60745 standardile vastava mõõtesüsteemiga ning seda võib kasutada erinevate elektriseadmete omavahelises võrdlemises. Antud näitaja sobib ka esmaseks võnkekoormuse hindamiseks.

Antud võnketase kehtib elektriseadme kasutamisel sihtotstarbeliselt. Kui elektriseadet kasutatakse muudel otstarvetel, muude tööriistadega või seda ei hooldata piisavalt võib võnketase siintoodust erineda. Eeltoodu võib võnketaset märkimisväärselt tõsta terves töökeskkonnas.

Võnketaseme täpseks hindamiseks tuleks arvestada ka aega, mil seade on välja lülitatud või on küll sisse lülitatud, kuid ei ole otseselt kasutuses. See võib märgatavalt vähendada kogu töökeskkonna võnketaset.

Rakendage spetsiaalseid ettevaatusabinõusid töötajate suhtes, kes puutuvad töö käigus palju kokku vibratsiooniga. Nendeks abinõudeks võivad olla, näiteks: elektri- ja tööseadmete korraline hooldus, käte soojeendamine, töövoo parem organiseerimine.

⚠ TÄHELEPANU! Lugege kõik ohutusnõuanded ja juhendid läbi, ka juures olevast brošüürist. Ohutusnõuete ja juhiste eiramise tagajärjeks võib olla elektrilööki, tulekahju ja/või rasked vigastused.
Hoidke kõik ohutusnõuded ja juhised edasiseks kasutamiseks hoolikalt alles.

SPETSIAALSED TURVAJUHISED

Ühised ohutusjuhised liivapaberiga lihvimiseks ja poleerimiseks:

a) Käesolev elektriline tööriist on ette nähtud poleerimiseks (ainult P puhul) ja liivapaberiga lihvimiseks (ainult S puhul). Järgige kõiki tööriistaga kaasasolevaid hoiatusi, juhiseid, jooniseid ja tehnilisi andmeid. Järgnevalt toodud juhiste eiramise tagajärjeks võib olla elektrilööki, tulekahju ja/või rasked vigastused.

b) See elektritööriist ei ole mõeldud liivapaberiga lihvimiseks (ainult AP 12 E puhul), poleerimiseks (ainult AS 12 E puhul), lõikamine ja jämelihvimine ja traatharjaga. Seadme kasutamine mitteetnähitud otstarbel võib põhjustada kahjustusi ja vigastusi.

c) Ärge kasutage tarvikuid, mida ei ole tootja selle elektrilise tööriista jaoks ette näinud ega soovitanud. Asjaolu, et saate tarvikud oma seadme külge kinnitada, ei taga veel seadme ohutut tööd.

d) Kasutatava tarviku lubatud pöörlemiskiirus peab olema vähemalt sama suur nagu elektrilise tööriista maksimaalne pöörde arv. Lubatud kiirusest kiiremini pöörlev tarvik võib puruneda ning selle tükid võivad laiali paiskuda.

e) Tarviku välisläbimõõt ja paksus peavad vastama elektrilise tööriista mõõtmetele. Valede mõõtmetega tarvikuid ei kata kaitsekate piisaval määral, mistõttu võivad need kontrolli alt väljuda.

f) Lihvketad, seibid, lihvallad ja teised tarvikud peavad elektrilise tööriista spindli läbimõõduga täpselt sobima. Tarvikud, mis spindli läbimõõduga täpselt ei sobi, pöörlevad ebahõltselisel, vibreerivad tugevalt ja võivad põhjustada kontrolli kaotuse seadme üle.

g) Ärge kasutage vigastatud tarvikuid. Iga kord enne kasutust kontrollige tarvikuid. Kui seade või tarvik kukub maha, siis veenduge, et see ei ole vigastatud, või kasutage vajaduse korral vigastamata tarvikut. Kui olete tarviku üle vaadanud ja kohale asetanud, laske seadmel ühe minuti jooksul töötada maksimaalsetel pööretel. Seejuures ärge asetsege pöörleva tarvikuga ühel tasandil ja veenduge, et seda ei tee ka läheduses viibivad inimesed. Selle katseaia jooksul vigastatud tarvikud üldjuhul purunevad.

h) Kandke isikukaitsevahendeid. Kasutage vastavalt kasutusotstarbele näomaski, silmakaitset või kaitseprille. Vajaduse korral kandke tolmu- ja kaitsemaski, kuulmiskaitsevahendeid, kaitsekindaid või kaitsepinne, mis kaitseb Teid lihvimisel eralduvate väikeste osakeste eest. Silmad peavad olema kaitstud seadme kasutamisel eralduvate võõrkehade eest. Tolmu- või hingamisteede kaitsemaskid peavad filtreerima kasutamisel tekkiva tolmu. Pikaajaline vali müra võib kahjustada kuulmist.

i) Veenduge, et teised inimesed on tööpiirkonnast ohutuskauguses. Igaüks, kes tööpiirkonda siseneb, peab kandma isikukaitsevahendeid. Tooriku või tarviku murdunud tükid võivad eemale paiskuda ja põhjustada vigastusi ka väljaspool otsest tööpiirkonda.

j) Kui esineb oht, et seade võib tabada varjatud elektrijuhtmeid või omaenda toitejuhet, tohib seadet hoida üksnes isoleeritud käepidemetest. Kontakt pingel all oleva juhtmega pingestab ka seadme metallidetailid ja põhjustab elektrilööki.

k) Hoidke toitejuhe pöörlevatest tarvikutest eemal. Kontrolli kaotusel seadme üle tekib toitejuhtme läbilõikamise

või kaasahaaramise oht ning Teie käsi võib pöörleva tarvikuga kokku puutuda.

l) Ärge pange seadet käest enne, kui seadme spindel on täielikult seiskunud. Pöörlev tarvik võib aluspinnaga kokku puutuda, mille tagajärjeks võib olla kontrolli kaotus seadme üle.

m) Seadme transportimise ajal ärge laske seadmel töötada. Teie rõivad võivad pöörleva tarvikuga juhuslikult kokku puutuda ning tarvik võib tungida Teie kehasse.

n) Puhastage regulaarselt seadme ventilatsiooniväsiid. Mootori ventilaator tõmbab tolmu korpusesse, kuhjv metallitölm võib põhjustada elektrilisi ohte.

o) Ärge kasutage seadet kergesti süttivate materjalide läheduses. Sädemete tõttu võivad need materjalid süttida.

p) Ärge kasutage tarvikuid, mille puhul tuleb kasutada jahutusvedelikke. Vee või teiste jahutusvedelike kasutamine võib põhjustada elektrilöögi.

Tagasilöökk ja asjaomased ohutusnõuded

Tagasilöökk on kinnikiilduvast tarvikust, näiteks lihvketast, lihvtaallast, traatharjast vmt tingitud järsk reaktsioon.

Kinnikiildumine põhjustab tarviku järsu seiskumise. Selle tagajärjel liigub seade kontrollimatult tarviku pöörlemissuunale vastupidises suunas.

Kui näiteks lihvketas toorikus kinni kiildub, võib tagajärjeks olla tagasilöökk või lihvketta murdumine. Lihvketas liigub sõltuvalt ketta pöörlemissuunast kas seadme kasutaja poole või kasutajast eemal.

Tagasilöökk on seadme ebaõige kasutamise või valede töövõtete tagajärg. Seda saab vältida, rakendades järgnevalt kirjeldatud sobivaid ettevaatusabinõusid.

a) Hoidke seadet tugevasti kinni ja viige oma keha ja käed asendisse, milles saate tagasilöögiõigjõududele vastu astuda. Suurima kontrolli saavutamiseks tagasilöögiõigjõudude või reaktsioonimomentide üle kasutage alati lisakäepidet, kui see on olemas. Seadme kasutaja suudab sobivaid ettevaatusabinõusid rakendades tagasilöögi- ja reaktsioonijõudusid kontrollida.

b) Ärge viige oma kätt kunagi pöörlevate tarvikute lähedusse. Tagasilöögi puhul võib tarvik liikuda üle Teie käe.

c) Vältige oma kehaga piirkonda, kuhu seade tagasilöögi puhul liigub. Tagasilöökk viib seadme lihvketta liikumissuunale vastupidises suunas.

d) Eriti ettevaatlikult töötage nurkade, teravate servade jmt piirkonnas. Hoidke ära tarvikute tagasipõrkumine toorikult ja kinnikiildumine. Pöörlev tarvik kaldub nurkades, teravates servades ja tagasipõrkumise korral kinni kiilduma. See põhjustab kontrolli kaotuse seadme üle või tagasilöögi.

e) Ärge kasutage kett- ega hammastatud saeketast. Sellised tarvikud põhjustavad tihti tagasilöögi või kontrolli kaotuse seadme üle.

AS 12 E:

Spetsiifilised ohutusjuhised poleerimiseks

a) Veenduge, et poleerkettal ei oleks lahtisi osi, esmajoones kinnitusnõore. Peitke või lühendage kinnitusnõõrid. Lahtised kaasapöörlevad kinnitusnõõrid võivad Teie sõrmed kaasa haarata või toorikusse kinni jääda.

AP 12 E:

Spetsiifilised ohutusjuhised poleerimiseks

a) Veenduge, et poleerkettal ei oleks lahtisi osi, esmajoones kinnitusnõore. Peitke või lühendage kinnitusnõõrid. Lahtised kaasapöörlevad kinnitusnõõrid võivad Teie sõrmed kaasa haarata või toorikusse kinni jääda.

Välitingimustes asuvad pistikupesad peavad olema varustatud rikkevoolukaitselülitega (FI, RCD, PRCD). Seda nõutakse Teie elektriseadme installaerimiseskirjas. Palun pidage sellest meie seadme kasutamisel kinni.

Puru ega pilpaid ei tohi eemaldada masina töötamise ajal.

Masin peab pistikupessa ühendamisel olema alati väljalülitatud seisundis.

Ärge pange kätt töötava masina ohupiirkonda.

Kasutage alati lisakäepidet.

Lülitage seade välja kohe, kui tekib märgatav vibratsioon või märkate muid puudusi. Kontrollige masin üle, et põhjus kindlaks teha.

Kasutage ja säilitage lihvketaid alati vastavalt valmistaja juhiste.

Metallide lihvimisel tekib sädemeid. Veenduge selles, et inimesed poleks ohustatud. Tuleohtu tõttu ei tohi lähedal (sädemete piirkonnas) olla tuleohtlikke materjale. Ärge kasutage tolmu äraimemist.

Hoidke seadet alati nii, et sädemed või lihvimitolm lendaksid kehast eemale.

Ääriku mutter peab enne masina käiklaskmist olema pingutatud.

Töödeldav toorik tuleb kinnitada, kui ta ei seisa oma kaaluga. Ärge kunagi juhtige toorikut ketta vastu käega.

Ekstreemsetes tingimustes (nt tugiketta ja vulkaanfiiberlihvkettaga metallide siledaks lihvimine) töötamisel võib nurklihvijasse koguneda rohkesti puru ja prahti. Ohutuse tagamiseks tuleb niisugustes tingimustes töötamisel metallpindu seest korralikult puhastada, tingimata tuleb paigaldada rikkevoolukaitselüliti. Kui rikkevoolukaitselüliti reageerib, tuleb masin saata ülekontrollimisele.

Keermestatud kettaga varustada tulevate lihvimisvahendite puhul tagage kettas oleva keermes piisav pikkus spindli jaoks.

KASUTAMINE VASTAVALT OTSTARBELE

AP 12 E: Poleerijat saab rakendada lakkide, kattekihtide, plastide ja teiste siledade pealispindade poleerimiseks.

AS 12 E: Lihvija sobib puidu, plasti ja metalli pindade lihvimiseks.

Antud seadet tohib kasutada ainult vastavalt äranäidatud otstarbele.

EÜ VASTAVUSAVALDUS

Me deklareerime ainuvastutajatena, et antud toode on kooskõlas järgmiste normide või normdokumentidega: EN 60745, EN 55014-1, EN 55014-2, EN 61000-3-2, EN 61000-3-3, vastavalt direktiivide 2006/42/EÜ, 2004/108/EÜ sätetele.



Winnenden, 2010-01-10

Rainer Kumpf
Manager Product Development

On volitatud koostama tehnilist dokumentatsiooni.

VÕRKU ÜHENDAMINE

Ühendage ainult ühefaasilise vahelduvvooluga ning ainult andmesildil toodud võrgupingega. Ühendada on võimalik ka kaitsekontaktita pistikupesadesse, kuna nende konstruktsioon vastab kaitseklassile II.

HOOLDUS

Hoidke masina õhutuspilud alati puhtad.

Kasutage ainult AEG tarvikuid ja tagavaraosi. Detailid, mille väljavahetamist pole kirjeldatud, laske välja vahetada AEG klientideeninduspunkti (vaadake brošüüri garantii / klientideeninduste aadressid).

Vajaduse korral võite tellida seadme läbilõikejoonise, näidates ära masina tüübi ja andmesildil oleva kümnekohalise numbri. Selleks pöörduge klientideeninduspunkti või ots: AEG Elektrowerkzeuge, Max-Eyth-Straße 10, D-71364 Winnenden, Germany.

SÜMBOLID



Palun lugege enne käiklaskmist kasutamisujuhend hoolikalt läbi.



Masinaga töötades kandke alati kaitseprille.



Enne kõiki töid masina kallal tõmmake pistik pistikupesast välja.



Tarvikud - ei kuulu tarne komplekti, soovitatav täiendus on saadaval tarvikute programmis.



Ärge käideldge kasutusõlbrmatuks muutunud elektrilisi tööriistu koos olmejäätmetega! Vastavalt Euroopa Parlamendi ja nõukogu direktiivile 2002/96/EÜ elektri- ja elektroonikaseadmete jäätmete kohta ning direktiivi nõuete kohaldamisele liikmesriikides tuleb asutusõlbrmatuks muutunud elektrilised tööriistad koguda eraldi ja keskkonnasäästlikult korduskasutada või ringlusse võtta.

ТЕХНИЧЕСКИЕ ДАННЫЕ Полировальная машина/Зачистная машина	AP 12 E	AS 12 E
Номинальная выходная мощность.....	1200 W	1200 W
Номинальная мощность (Ватт).....	600 W	600 W
Число оборотов без нагрузки (об/мин).....	900-2500 min ⁻¹	1800-4800 min ⁻¹
Число оборотов без нагрузки (об/мин).....	4700 min ⁻¹	9000 min ⁻¹
Диаметр шлифовального диска.....	150 mm	180 mm
Резьба шпинделя.....	M 14	M 14
Вес без кабеля.....	2,2 kg	2,5 kg

Информация по шумам/вибрации

Значения замерялись в соответствии со стандартом EN 60 745.

Уровень шума прибора, определенный по показателю A, обычно составляет:

Уровень звукового давления (K = 3dB(A)).....	82 dB(A)	82 dB(A)
Уровень звуковой мощности (K = 3dB(A)).....	93 dB(A)	93 dB(A)

Пользуйтесь приспособлениями для защиты слуха.

Общие значения вибрации (векторная сумма трех направлений) определены в соответствии с EN 60745.

Полирование: значение вибрационной эмиссии a _w	<2,5 m/s ²	- m/s ²
Небезопасность K =	1,5 m/s ²	- m/s ²
шлифовального круга: значение вибрационной эмиссии a _w	- m/s ²	2,8 m/s ²
Небезопасность K =	- m/s ²	1,5 m/s ²

ВНИМАНИЕ

Указанный в настоящем руководстве уровень вибрации измерен в соответствии с технологией измерения, установленной стандартом EN 60745 и может использоваться для сравнения электроинструментов друг с другом. Он также подходит для предварительной оценки вибрационной нагрузки.

Указанный уровень вибрации представляет основные виды использования электроинструмента. Но если электроинструмент используется для других целей, используемый инструмент отклоняется от указанного или техническое обслуживание было недостаточным, то уровень вибрации может отклоняться от указанного. В этом случае вибрационная нагрузка в течение всего периода работы значительно увеличивается.

Для точной оценки вибрационной нагрузки необходимо также учитывать время, в течение которого прибор отключен или включен, но фактически не используется. В этом случае вибрационная нагрузка в течение всего периода работы может существенно уменьшиться.

Установите дополнительные меры безопасности для защиты пользователя от воздействия вибрации, например: техническое обслуживание электроинструмента и используемого инструмента, поддержание рук в теплом состоянии, организация рабочих процессов.

ВНИМАНИЕ! Ознакомьтесь со всеми указаниями по безопасности и инструкциями, в том числе с инструкциями, содержащимися в прилагающейся брошюре. Упущения, допущенные при соблюдении указаний и инструкций по технике

безопасности, могут стать причиной электрического поражения, пожара и тяжелых травм.
Сохраняйте эти инструкции и указания для будущего использования.

РЕКОМЕНДАЦИИ ПО ТЕХНИКЕ БЕЗОПАСНОСТИ

Общие предупреждающие указания по шлифованию наждачной бумагой и для полирования:

а) Настоящий электроинструмент предназначен для проволочной щетки (только у моделей AP 12 E) и применения в качестве шлифовальной машины с наждачной бумагой (только у моделей AS 12 E). Учитывайте все предупреждающие указания, инструкции, иллюстрации и данные, которые Вы получите с электроинструментом. При несоблюдении нижеследующих указаний возможно поражение электротоком, возникновение пожара и/или получение серьезных травм.

б) Данный электроинструмент не предназначен для шлифования при помощи наждачной бумаги (только у моделей AP 12 E), полировки (только у моделей AS 12 E), разделение и черновое шлифование и работе с проволочными щетками. Использование электроинструмента не по назначению может вывести его из строя и нанести травмы.

в) Не применяйте принадлежности, которые не предусмотрены изготовителем специально для настоящего электроинструмента и не рекомендуются им. Только возможность крепления принадлежностей в Вашем электроинструменте не гарантирует еще его надежного применения.

г) Допустимое число оборотов рабочего инструмента должно быть не менее указанного на электроинструменте максимального числа оборотов.

Оснастка, вращающаяся с большей, чем допустимо скоростью, может разорваться и разлететься в пространстве.

д) Наружный диаметр и толщина рабочего инструмента должны соответствовать размерам Вашего электроинструмента. Неправильно соразмеренные рабочие инструменты не могут быть в достаточной степени защищены или контролироваться.

е) Шлифовальные круги, фланцы, шлифовальные тарелки или другие принадлежности должны точно сидеть на шпинделе Вашего электроинструмента. Рабочие инструменты, неточно сидящие на шпинделе электроинструмента, вращаются с биением, сильно вибрируют и могут привести к потере контроля.

ж) Не применяйте поврежденные рабочие инструменты. Проверяйте каждый раз перед использованием рабочие инструменты, как то, шлифовальные тарелки на трещины, риски или сильный износ. После падения электроинструмента или рабочего инструмента проверяйте последний на повреждения и при надобности установите неповрежденный рабочей инструмент. После закрепления рабочего инструмента займите сами и все находящиеся вблизи лица положение за пределами плоскости вращения рабочего инструмента и включите электроинструмент на одну минуту на максимальное число оборотов. Поврежденные рабочие инструменты разрываюются, в большинстве случаев, за это время контроля.

з) Применяйте средства индивидуальной защиты. В зависимости от выполняемой работы применяйте защитный щиток для лица, защитное средство для глаз или защитные очки. Насколько уместно, применяйте противопылевой респиратор, средства защиты органов слуха, защитные перчатки или специальный фарук, которые защищают Вас от абразивных частиц и частиц материала. Глаза должны

быть защищены от летающих в воздухе посторонних тел, которые возникают при выполнении различных работ. Противопылевой респиратор или защитная маска органов дыхания должны задерживать возникающую при работе пыль. Продолжительное воздействие сильного шума может привести к потере слуха.

и) Следите за тем, чтобы все лица находились на безопасном расстоянии к Вашему рабочему участку. Каждое лицо в пределах рабочего участка должно иметь средства индивидуальной защиты. Осколки детали или разорванных рабочих инструментов могут отлететь в сторону и стать причиной травм также и за пределами непосредственного рабочего участка.

й) Держите электроинструмент только за изолированные поверхности рукояток, если Вы выполняете работы, при которых рабочий инструмент может попасть на скрытую электропроводку или на собственный шнур подключения питания. Контакт с токоведущим проводом ставит под напряжение также металлические части электроинструмента и ведет к поражению электрическим током.

к) Держите шнур подключения питания в стороне от вращающегося рабочего инструмента. Если Вы потеряете контроль над инструментом, то шнур подключения питания может быть перерезан или захвачен вращающейся частью и Ваша кисть или рука может попасть под вращающийся рабочий инструмент.

л) Никогда не выпускайте электроинструмент из рук, пока рабочий инструмент полностью не остановится. Вращающийся рабочий инструмент может зацепиться за опорную поверхность и в результате Вы можете потерять контроль над электроинструментом.

м) Выключайте электроинструмент при транспортировании. Ваша одежда может быть случайно захвачена вращающимся рабочим инструментом и последний может нанести Вам травму.

н) Регулярно очищайте вентиляционные прорези Вашего электроинструмента. Вентилятор двигателя затягивает пыль в корпус и большое скопление металлической пыли может привести к электрической опасности.

о) Не пользуйтесь электроинструментом вблизи горючих материалов. Искры могут воспламенить эти материалы.

п) Не применяйте рабочие инструменты, требующие применение охлаждающих жидкостей. Применение воды или других охлаждающих жидкостей может привести к поражению электротоком.

Обратный удар и соответствующие предупреждающие указания

Обратный удар это внезапная реакция в результате заедания или блокирования вращающегося рабочего инструмента, как то, шлифовального круга, шлифовальной тарелки, проволочной щетки и т. д., ведущая к резкому останову вращающегося рабочего инструмента. При этом неконтролируемый электроинструмент ускоряется на месте блокировки против направления вращения рабочего инструмента.

Если шлифовальный круг заедает или блокирует в заготовке, то погруженная в заготовку кромка шлифовального круга может быть захвата и в результате привести к выскакиванию круга из заготовки или к обратному удару. При этом шлифовальный круг движется на оператора или от него, в зависимости от направления вращения круга на месте блокирования.

Обратный удар является следствием неправильного использования электроинструмента или ошибки оператора. Он может быть предотвращен описанными ниже мерами предосторожности.

а) Крепко держите электроинструмент и займите Вашим телом и руками положение, в котором Вы можете противодействовать обратным силам. При

наличии, всегда применяйте дополнительную рукоятку, чтобы как можно лучше противодействовать обратным силам или реакционным моментам при наборе оборотов. Оператор может подходящими мерами предосторожности противодействовать силам обратного удара и реакционным силам.

б) Ваша рука никогда не должна быть вблизи вращающегося рабочего инструмента. При обратном ударе рабочий инструмент может пойти по Вашей руке.

в) Держитесь в стороне от участка, в котором при обратном ударе будет двигаться электроинструмент. Обратный удар ведет электроинструмент в противоположном направлении к движению шлифовального круга в месте блокирования.

г) Особенно осторожно работайте на углах, острых кромках и т. д. Прототвращайте отскок рабочего инструмента от заготовки и его заклинивание. Вращающийся рабочий инструмент склонен на углах, острых кромках и при отскоке к заклиниванию. Это вызывает потерю контроля или обратный удар.

д) Не применяйте пыльные цепи или пыльные полотна. Такие рабочие инструменты часто становятся причиной обратного удара или потери контроля над электроинструментом.

AS 12 E:

Spetsiifilised ohutusjuhised poleerimiseks

a) Veenduge, et poleerkettal ei oleks lahtisi osi, esmajoones kinnitusnõõre. Peitke või lühendage kinnitusnõõrid. Lahtised kaasapõrlevad kinnitusnõõrid võivad Teie sõrmed kaasa haarata või toorikusse kinni jääda.

AP 12 E:

Spetsiifilised ohutusjuhised poleerimiseks

a) Veenduge, et poleerkettal ei oleks lahtisi osi, esmajoones kinnitusnõõre. Peitke või lühendage kinnitusnõõrid. Lahtised kaasapõrlevad kinnitusnõõrid võivad Teie sõrmed kaasa haarata või toorikusse kinni jääda.

Электроприборы, используемые во многих различных местах, в том числе на открытом воздухе, должны подключаться через устройство, предотвращающее резкое повышение напряжения (FI, RCD, PRCD).

Не убирайте опилки и обломки при включенном инструменте.

Вставляйте вилку в розетку только при выключенном инструменте.

Никогда не касайтесь опасной режущей зоны в момент работы.

Всегда пользуйтесь дополнительной рукояткой.

Немедленно выключайте машину если почувствовали ощутимую вибрацию или при других неисправностях. Проверьте инструмент чтобы обнаружить причину неисправности.

Всегда используйте и храните шлифовальные диски в соответствии с инструкциями производителя.

Необходимо следить за тем, чтобы искры, вылетающие с обрабатываемой поверхности, не попадали на воспламеняющиеся материалы.

Следите чтобы искры или образующаяся при работе пыль не попадали на Вас.

Перед включением инструмента затяните зажимную гайку.

Если изделие не достаточно тяжелое и неустойчивое, то его необходимо закрепить. Никогда не подносите изделие к шлифовальному диску, держа его в руках.

При предельных условиях эксплуатации (напр., при гладкой шлифовке металлов с опорным диском и шлифовальным кругом из вулканизированной фибры) может образоваться

сильное загрязнение во внутренней части угловой шлифовальной машинки. При таких условиях эксплуатации из соображений безопасности необходима основательная очистка внутренней части от отложений металла и принудительное предварительное включение защитного выключателя тока утечки (FI). После срабатывания защитного выключателя FI следует отправить машинку в ремонт.

Предназначается для инструментов, которые могут использоваться с кругами, оснащенными резбовым отверстием, причем длина резьбы должна соответствовать длине шпинделя.

ИСПОЛЬЗОВАНИЕ

AP 12 E: Полировщик может быть использован для полировки лаков, облицовки, пластика и других гладких поверхностей.

AS 12 E: Шлифовальная машина может использоваться для шлифования деревянных, пластиковых и металлических поверхностей.

Не пользуйтесь данным инструментом способом, отличным от указанного для нормального применения.

ДЕКЛАРАЦИЯ О СООТВЕТСТВИИ СТАНДАРТАМ ЕС

Мы заявляем что этот продукт соответствует следующим стандартам: EN 60745, EN 55014-1, EN 55014-2, EN 61000-3-2, EN 61000-3-3, в соответствии с правилами 2006/42/EC, 2004/108/EC.



Winnenden, 2010-01-10

Rainer Kumpf

Rainer Kumpf
Manager Product Development

Уполномочен на составление технической документации.

ПОДКЛЮЧЕНИЕ К ЭЛЕКТРОСЕТИ

Подсоединять только к однофазной сети переменного тока с напряжением, соответствующим указанному на инструменте. Электроинструмент имеет второй класс защиты, что позволяет подключать его к розеткам электропитания без заземляющего вывода.

ОБСЛУЖИВАНИЕ

Всегда держите охлаждающие отверстия чистыми.

Пользуйтесь аксессуарами и запасными частями только фирмы AEG. В случае возникновения необходимости в замене, которая не была описана, пожалуйста, обращайтесь на один из сервисных центров (см. список наших гарантийных/сервисных организаций).

При необходимости может быть заказан чертеж инструмента с трехмерным изображением деталей. Пожалуйста, укажите десятизначный номер и тип инструмента и закажите чертеж у Ваших местных агентов или непосредственно у AEG Elektrowerkzeuge, Max-Eyth-Strasse 10, D-71364 Winnenden, Germany.

СИМВОЛЫ



Пожалуйста, внимательно прочтите инструкцию по использованию перед началом любых операций с инструментом.



При работе с инструментом всегда надевайте защитные очки.



Перед выполнением каких-либо работ по обслуживанию инструмента всегда вынимайте вилку из розетки.



Дополнитель - В стандартную комплектацию не входит, поставляется в качестве дополнительной принадлежности.



Не выбрасывайте электроинструмент с бытовыми отходами! Согласно Европейской директиве 2002/96/EC по отходам от электрического и электронного оборудования и соответствующим нормам национального права вышедшие из употребления электроинструменты подлежат сбору отдельно для экологически безопасной утилизации.

ТЕХНИЧЕСКИ ДАННИ Полировачна машина/Шлайфмашина

PE 150 / SE 12-180

Номинална консумирана мощност	1200 W	1200 W
Отдавана мощност (W)	600 W	600 W
Обороти на празен ход	900-2500 min ⁻¹	1800-4800 min ⁻¹
Макс. обороти на празен ход	4700 min ⁻¹	9000 min ⁻¹
Ø на абразивните дискове	150 mm	180 mm
Резба на шпиндела	M 14	M 14
Тегло без мрежов кабел	2,1 kg	2,5 kg

Информация за шума/вибрациите

Измерените стойности са получени съобразно EN 60 745.

Оцененото с A ниво на шума на уреда е съответно:

Ниво на звукова мощност (K=3dB(A))	82 dB(A)	82 dB(A)
Ниво на звукова мощност (K=3dB(A))	93 dB(A)	93 dB(A)

Да се носи предпазно средство за слуха!

Общите стойности на вибрациите (векторна сума на три посоки) са определени в съответствие с EN 60745.

Полиране: стойност на емисии на вибрациите a _h	<2,5 m/s ²	m/s ²
Несигурност K =	1,5 m/s ²	m/s ²
Шлайфване: стойности на вибрациите a _h	m/s ²	2,8 m/s ²
Несигурност K =	m/s ²	1,5 m/s ²

ВНИМАНИЕ

Посоченото в тези инструкции ниво на вибрациите е измерено в съответствие със стандартизиран в EN 60745 измервателен метод и може да се използва за сравнение на електрически инструменти помежду им. Подходящ е и за временна оценка на вибрационното натоварване.

Посоченото ниво на вибрациите представя основните приложения на електрическия инструмент. Ако обаче електрическият инструмент се използва с друго предназначение, с различни сменяеми инструменти или при недостатъчна техническа поддръжка, нивото на вибрациите може да е различно. Това чувствително може да увеличи вибрационното натоварване по време на целия работен цикъл.

За точната оценка на вибрационното натоварване трябва да се вземат предвид и периодите от време, в които уредът е изключен или работи, но в действителност не се използва. Това чувствително може да намали вибрационното натоварване по време на целия работен цикъл.

Определете допълнителни мерки по техника на безопасност в защита на обслужващия работник от въздействието на вибрациите като например: техническа поддръжка на електрическия инструмент и сменяемите инструменти, поддръжане на ръцете топли, организация на работния цикъл.

⚠ ВНИМАНИЕ! Прочетете указанията за безопасност и съветите в приложената брошура. Неспазването на приведените по-долу указания може да доведе до токов удар, пожар и/или тежки травми.
Съхранявайте тези указания на сигурно място.

СПЕЦИАЛНИ УКАЗАНИЯ ЗА БЕЗОПАСНОСТ

Общи указания за безопасна работа при шлифване с шкурка и полиране:

а) Този електроинструмент може да се използва за полиране (само при AP 12 E) и шлифване с шкурка (само при AS 12 E). Спазвайте всички указания и предупреждения, съобразявайте се с приведените технически параметри и изображения. Ако не спазвате посочените по-долу указания, последствията могат да бъдат токов удар, пожар и/или тежки травми.

б) Този електроинструмент не е подходящ за шлайфане с шкурка (само при AP 12 E), за полиране (само при AS 12 E), рязане и грубо шлайфане и работа с телена четка. Ако се използва за цели, за които не е предвиден, този електроуред може да доведе до опасност и наранявания.

в) Не използвайте допълнителни приспособления, които не се препоръчват от производителя специално за този електроинструмент. Фактът, че можете да закрепите към машината определено приспособление или работен инструмент, не гарантира безопасна работа с него.

г) Допустимата скорост на въртене на работния инструмент трябва да е най-малкото равна на изписаната на табелката на електроинструмента максимална скорост на въртене. Работни инструменти, които се въртят с по-висока скорост от допустимата, могат да се счупят и парчета от тях да отхвърчат с висока скорост.

д) Външният диаметър и дебелината на работния инструмент трябва да съответстват на данните, посочени в техническите характеристики на Вашия

электроинструмент. Работни инструменти с неподходящи размери не могат да бъдат екранирани по необходимия начин или да бъдат контролирани достатъчно добре.

е) Шлифовачните дискове, фланци, подложните дискове или другите приложни инструменти трябва да пасват точно на вала на Вашия електроинструмент. Работни инструменти, които не пасват точно на вала на електроинструмента, се въртят неравномерно, вибрират силно и могат да доведат до загуба на контрол над машината.

ж) Не използвайте повредени работни инструменти. Преди всяка употреба проверявайте работните инструменти, подложните дискове за пукнатини или силно износване. Ако изтървете електроинструмента или работния инструмент, ги проверявайте внимателно за увреждания или използвайте нови неповредени работни инструменти. След като сте проверили внимателно и сте монтирали работния инструмент, оставете електроинструмента да работи на максимални обороти в продължение на една минута; стойте и дръжте намиращи се наблизо лица встрани от равнината на въртене. Най-често повредени работни инструменти се чупят през този тестов период.

з) Работете с лични предпазни средства. В зависимост от приложението работете с цяла маска за лице, защита за очите или предпазни очила. Ако е необходимо, работете с дихателна маска, шумозаглушители (антифони), работни обувки или специализирана престилка, която Ви предпазва от малки откъртени при работата частички. Очите Ви трябва да са защитени от летящите в зоната на работа частички. Противопраховата или дихателната маска филтрират възникващата при работа прах. Ако продължително време сте изложени на силен шум, това може да доведе до загуба на слух.

и) Внимавайте други лица да бъдат на безопасно разстояние от зоната на работа. Всеки, който се

намира в зоната на работа, трябва да носи лични предпазни средства. Откритите парченца от обработвания детайл или работния инструмент могат в резултат на силното ускорение да отлетят надалече и да предизвикат наранявания също и извън зоната на работа.

й) Ако изпълнявате дейности, при които съществува опасност работният инструмент да попадне на скрити проводници под напрежение или да засегне захранващия кабел, допирайте електроинструмента само до електроизолираните ръкохватки. При влизане на работния инструмент в контакт с проводници под напрежение то се предава по металните детайли на електроинструмента и това може да доведе до токов удар.

к) Дръжте захранващия кабел на безопасно разстояние от въртящите се работни инструменти. Ако изгубите контрол над електроинструмента, кабелът може да бъде прерязан или увлечен от работния инструмент и това да предизвика наранявания, напр. на ръката Ви.

л) Никога не оставяйте електроинструмента, преди работният инструмент да спре напълно въртенето си. Въртящият се инструмент може да допре до предмет, в резултат на което да загубите контрол над електроинструмента.

м) Докато пренасяте електроинструмента, не го оставяйте включен. При неволан допир дрехите или косите Ви могат да бъдат увлечени от работния инструмент, в резултат на което работният инструмент може да се вреже в тялото Ви.

н) Редовно почиствайте вентилационните отвори на Вашия електроинструмент. Турбината на електродвигателя засмуква прах в корпуса, а натрупването на метален прах увеличава опасността от токов удар.

о) Не използвайте електроинструмента в близост до леснозапалими материали. Летящи искри могат да предизвикат възпламеняването на такива материали.

п) Не използвайте работни инструменти, които изискват прилагането на охлаждащи течности. Използването на вода или други охлаждащи течности може да предизвика токов удар.

Откат и съвети за избягването му

Откат е внезапната реакция на машината вследствие на заклнване или блокиране на въртящия се работен инструмент, напр. абразивен диск, гумен подложен диск, телена четка и др. п. Заклнването или блокирането води до рязкото спиране на въртенето на работния инструмент. Вследствие на това електроинструментът получава силно ускорение в посока, обратна на посоката на движение на инструмента в точката на блокиране, и става неуправляем. Ако напр. абразивен диск се заклни или блокира в обработваното изделие, ръбът на диска, който допира детайла, може да се огъне и в резултат дискът да се счупи или да възникне откат. В такъв случай дискът се ускорява към работещия с машината или в обратна посока, в зависимост от посоката на въртене на диска и мястото на заклнване.

Откат възниква в резултат на неправилно или погрешно използване на електроинструмента. Възникването му може да бъде предотвратено чрез спазването на подходящи предпазни мерки, както е описано по-долу.

а) Дръжте електроинструмента здраво и дръжте ръцете и тялото си в такава позиция, че да противостоите на евентуално възникващ откат. Ако електроинструментът има спомагателна ръкохватка, винаги я използвайте, за да го контролирате по-добре при откат или при възникващите реакционни моменти по време на включване. Ако предварително вземете подходящи предпазни мерки, при възникване на откат или силни реакционни моменти можете да овладеете машината.

б) Никога не поставяйте ръцете си в близост до въртящи се работни инструменти. Ако възникне откат, инструментът може да нарани ръката Ви.

в) Избягвайте да заставате в зоната, в която би отскочил електроинструментът при възникване на откат. Откатът премества машината в посока, обратна на посоката на движение на работния инструмент в зоната на блокиране.

г) Работете особено предпазливо в зоните на ъгли, остри ръбове и др. п. Избягвайте отблъскването или заклнването на работните инструменти в обработвания детайл. При обработване на ъгли или остри ръбове или при рязко отблъскване на въртящия се работен инструмент съществува повишена опасност от заклнване. Това предизвиква загуба на контрол над машината или откат.

д) Не използвайте верижни или назъбени режещи листове. Такива работни инструменти често предизвикват откат или загуба на контрол над електроинструмента.

AS 12 E: Специални указания за безопасна работа при шлифване с шкурка

а) Не използвайте твърде големи листове шкурка, спазвайте указанията на производителя за размерите на шкурката. Листове шкурка, които се подават извън подложния диск, могат да предизвикат наранявания, както и да доведат до блокиране и разкъсване на шкурката или до възникване на откат.

AP 12 E: Специални указания за безопасна работа при полиране

а) Не оставяйте висящи нишки или предмети по полиращото платно, напр. връв за окачване. Ако платното има връв за окачване, предварително я връзвайте или отрязвайте. Въртяща се незахваната връв може да увлече пръстите Ви или да се усуче около обработвания детайл.

Контактите във външните участъци трябва да бъдат оборудвани със защитни прекъсвачи за утечен ток (FI, RCD, PRCD). Това изисква предписанието за инсталиране за електрическата инсталация. Моля спазвайте това при използване на Вашия уред.

Стружки или отчупени парчета да не се отстраняват, докато машина работи.

Свързвайте машината към контакта само в изключено положение.

Не бъркайте в зоната на опасност на работещата машина.

Винаги да се използва допълнителната ръкохватка. Това важи също при машини с предпазен съединител, понеже той се задейства само при блокиране чрез импулс.

Веднага изключете машината, ако се появят значителни вибрации или бъдат установени други нередности. Проверете машината за да установите причината.

Абразивните дискове винаги да се използват и съхраняват съобразно данните на производителя.

При шлифване на метали възниква искрене. Обърнете внимание да не бъдат застрашени хора. Поради опасност от пожар наблизо (в обсега на искрите) не бива да се намират горими материали. Да не се използва прахоулавяне.

Дръжте уреда винаги така, че искрите или образуващият се при шлифването прах да отлитат настрани от тялото.

Преди пускане на машината фланцовата гайка трябва да бъде затегната.

Обработваният материал трябва да бъде затегнат здраво, ако не се държи от собственото си тегло. Никога не водете материала с ръка срещу диска.

При екстремални условия на експлоатация (напр. при гладко шлифване на метали с опорния диск и вулканфйбърните шлифовъчни дискове) може да се натрупа силно замърсяване във вътрешността на ъгловото шлифовъчно устройство. При

такива експлоатационни условия от гледна точка на сигурност е необходимо основно почистване на вътрешността от метални отлагания и задължително предварително включване на защитен прекъсвач за утечен ток FI. След задействане на защитния FI-прекъсвач машината трябва да се изпрати за ремонт.

При абразивни материали, които трябва да бъдат снабдени с диск с резба, трябва да се гарантира, че резбата в диска е достатъчно дълга за шпиндела.

ИЗПОЛЗВАНЕ ПО ПРЕДНАЗНАЧЕНИЕ

AP 12 E: Полировъчната машина може да се използва за полиране на боядисани повърхности, покрития, пластмаси и други гладки повърхности.

AS 12 E: Шлифовъчната машина е подходяща за плоско шлифване на дърво, пластмасата и метал.

Този уред може да се използва по предназначение само както е посочено.

СЕ - ДЕКЛАРАЦИЯ ЗА СЪОТВЕТСТВИЕ

Декларираме на собствена отговорност, че този продукт съответства на следните стандарти или нормативни документи: EN 60745, EN 55014-1, EN 55014-2, EN 61000-3-2, EN 61000-3-3, съобразно предписанията на директивите 2006/42/ЕО, 2004/108/ЕО.



Winnenden, 2010-01-10

Rainer Kumpf
Manager Product Development

Упълномощен за съставяне на техническата документация

СВЪРЗВАНЕ КЪМ МРЕЖАТА

Да се свързва само към еднофазен променлив ток и само към мрежово напрежение, посочено върху заводската табелка. Възможно е и свързване към контакт, който не е от тип "шучо", понеже конструкцията е от защитен клас II.

ПОДДРЪЖКА

Вентилационните шлицы на машината да се поддържат винаги чисти.

Да се използват само аксесоари на AEG и резервни части на. Елементи, чията подмяна не е описана, да се дадат за подмяна в сервис на AEG (вижте брошурата "Гаранция и адреси на сервиси).

При необходимост можете да поискате за уреда от Вашия сервис или директно от AEG Elektrowerkzeuge, Max-Eyth-Straße 10, D-71364 Winnenden, Germany, чертеж за в случай на експлозия, като посочите типа на машината и десетцифрения номер върху заводската табелка.

СИМВОЛИ



Преди пускане на уреда в действие моля прочетете внимателно инструкцията за използване.



При работа с машината винаги носете предпазни очила.



Преди всякакви работи по машината извадете щепсела от контакта.



Аксесоари - Не се съдържат в обема на доставката, препоръчвано допълнение от програмата за аксесоари.



Не изхвърляйте електроинструменти при битовите отпадъци! Съобразно Европейска директива 2002/96/ЕО за стари електрически и електронни уреди и нейното реализиране в националното законодателство изхабените електроинструменти трябва да се събират отделно и да се предават в пункт за екологосъобразно рециклиране.

DATE TEHNICE	Șlefuitor/Șlefuitor unghiular	AP 12 E	AS 12 E
Putere nominală de ieșire.....		1200 W	1200 W
Putere de ieșire		600 W	600 W
Viteza la mers în gol.....		900-2500 min ⁻¹	1800-4800 min ⁻¹
Viteza maximă de mers în gol		4700 min ⁻¹	9000 min ⁻¹
Diametru disc de rectificarea		150 mm	180 mm
Filetul axului de lucru		M 14	M 14
Greutate fără cablu.....		2,2 kg	2,5 kg

Informație privind zgomotul/vibrațiile

Valori măsurate determinate conform EN 60 745.

Nivelul de zgomot evaluat cu A al aparatului este tipic de:

Nivelul presiunii sonore (K=3 dB(A))..... 82 dB(A)..... 82 dB(A)

Nivelul sunetului (K=3 dB(A))..... 93 dB(A)..... 93 dB(A)

Purtați căști de protecție

Valorile totale de oscilație (suma vectorială pe trei direcții) determinate conform normei EN 60745.

Polizare: valoarea emisiei de oscilații a_n <2,5 m/s²..... - m/s²

Nesiguranță K = 1,5 m/s²..... - m/s²

Polizarea cu disc de polizat din material sintetic: valoarea emisiei de oscilații a_n - m/s²..... 2,8 m/s²

Nesiguranță K = - m/s²..... 1,5 m/s²

AVERTISMENT

Gradul de oscilație indicat în prezentele instrucțiuni a fost măsurat în conformitate cu o procedură de măsurare normată prin norma EN 60745 și poate fi folosit pentru a compara unele electrice între ele. El se pretează și pentru o evaluare provizorie a solicitării la oscilații.

Gradul de oscilație indicat reprezintă aplicațiile principale ale uneltelor electrice. În cazul în care însă uneltele electrice au fost folosite pentru alte aplicații, ori au fost folosite unelte de muncă diferite ori acestea nu au fost supuse unei suficiente inspecții de întreținere, gradul de oscilație poate fi diferit. Acest fapt poate duce la o creștere netă a solicitărilor la oscilații dealungul întregii perioade de lucru.

În scopul unei evaluări exacte a solicitării la oscilații, urmează să fie luate în considerație și perioadele de timp în care aparatul a fost oprit ori funcționează dar, în realitate, el nu este folosit în mod practic. Acest fapt poate duce la o reducere netă a solicitărilor la oscilații dealungul întregii perioade de lucru.

Stabiliți măsuri de siguranță suplimentare în scopul protecției utilizatorului de efectele oscilațiilor, de exemplu: inspecție de întreținere a uneltelor electrice și a celor de muncă, păstrarea caldă a mâinilor, organizarea proceselor de muncă.

⚠️ AVERTISMENT! Citiți toate avizele de siguranță și indicațiile, chiar și cele din borșura alăturată.

Nerespectarea indicațiilor de avertizare și a instrucțiunilor poate provoca electrocutare, incendii și/sau răniri grave. **Păstrați toate indicațiile de avertizare și instrucțiunile în vederea utilizărilor viitoare.**

INSTRUCȚIUNI DE SECURITATE

Avertismente comune pentru șlefuire cu hârtie abrazivă și lustruire:

a) Această sculă electrică se va folosi ca polizor (aplicabil numai pt. AP 12 E) și mașină specială de retezat cu disc abraziv (aplicabil numai pt. AS 12 E). Respectați toate avertismentele, instrucțiunile, reprezentările și datele primite împreună cu scula electrică. În cazul în care nu veți respecta următoarele instrucțiuni, se poate ajunge la electrocutare, incendii și/sau răniri grave.

b) Această sculă electrică nu este adecvată pentru șlefuire cu hârtie abrazivă (aplicabil numai pt. AP 12 E), pentru rodare (aplicabil numai pt. AS 12 E), polizarea de rețezare și de degroșare și pentru lucrul cu perii de oțel. Utilizarea sculei electrice la operații pentru care nu este concepută poate cauza pericole și accidente.

c) Nu folosiți dispozitive de lucru care nu sunt prevăzute și recomandate în mod special de către producător pentru această sculă electrică. Faptul în sine că dispozitivul respectiv poate fi montat pe scula dumneavoastră electrică nu garantează în niciun caz utilizarea lui sigură.

d) Turația admisă a dispozitivului de lucru trebuie să fie cel puțin egală cu turația maximă indicată pe scula electrică. Un accesoriu care se rotește mai repede decât este admis, se poate rupe, iar bucățile desprinse pot zbura în toate părțile.

e) Diametrul exterior și grosimea dispozitivului de lucru trebuie să corespundă datelor dimensionale ale sculei dumneavoastră electrice. Dispozitivele de lucru greșit dimensionate nu pot fi protejate sau controlate în suficientă măsură.

f) Discurile de șlefuit, flanșele, discurile abrazive sau celelalte accesorii trebuie să se potrivească exact pe arborele de polizat al sculei dumneavoastră electrice. Dispozitivele de lucru care nu se potrivesc exact pe arborele de polizat al sculei dumneavoastră electrice, se rotesc neuniform, vibrează foarte puternic și pot duce la pierderea controlului.

g) Nu folosiți dispozitive de lucru deteriorate. Înainte de fiecare utilizare controlați dacă dispozitivele de lucru dacă discurile abrazive nu sunt fisurate, uzate sau foarte tocite. Dacă scula electrică sau dispozitivul de lucru cade pe jos, verificați dacă nu s-a deteriorat sau folosiți un dispozitiv de lucru nedeteriorat. După ce ați controlat și montat dispozitivul de lucru, țineți persoanele aflate în preajmă în afara planului de rotație al dispozitivului de lucru și lăsați scula electrică să funcționeze un minut la turația nominală. De cele mai multe ori, dispozitivele de lucru deteriorate se rup în această perioadă de probă.

h) Purtați echipament personal de protecție. În funcție de utilizare, purtați o protecție completă a feței, protecție pentru ochi sau ochelari de protecție. Dacă este cazul, purtați mască de protecție împotriva prafului, protecție auditivă, mănuși de protecție sau șorț special care să vă ferească de micile așchii și particule de material. Ochii trebuie protejați de corpurile străine aflate în zbor, apărute în cursul diferitelor aplicații. Masca de protecție împotriva prafului sau masca de protecție a respirației trebuie să filtreze praful degajat în timpul utilizării. Dacă sunteți expuși timp îndelungat zgomotului puternic, vă puteți pierde auzul.

i) Aveți grijă ca celelalte persoane să păstreze o distanță sigură față de sectorul dumneavoastră de lucru. Oricine pătrunde în sectorul de lucru trebuie să poarte echipament personal de protecție. Fragmente din piesa de lucru sau din dispozitivele rupte pot zbura necontrolat și provoca răniri chiar în afara sectorului direct de lucru.

j) Apucați scula electrică numai de mânerul izolat atunci când executați lucrări la care dispozitivul de lucru poate nimeri conductorii electrici ascunși sau propriul cablu de alimentare. Contactul cu un conductor sub tensiune pune sub tensiune și componentele metalice ale sculei electrice și duce la electrocutare.

k) Țineți cablul de alimentare departe de dispozitivele de lucru care se rotesc. Dacă pierdeți controlul asupra mașinii, cablul de alimentare poate fi tăiat sau prins iar mâna sau brațul dumneavoastră poate nimeri sub dispozitivul de lucru care se rotește.

l) Nu puneți niciodată jos scula electrică înainte ca dispozitivul de lucru să se fi oprit complet. Dispozitivul de lucru care se rotește poate ajunge în contact cu suprafața de sprijin, fapt care vă poate face să pierdeți controlul asupra sculei electrice.

m) Nu lăsați scula electrică să funcționeze în timp ce o transportați. În urma unui contact accidental cu dispozitivul de lucru care se rotește, acesta vă poate prinde îmbrăcămintea și chiar pătrunde în corpul dumneavoastră.

n) Curățați regulat fanțele de aerisire ale sculei dumneavoastră electrice. Ventilatorul motorului atrage praf în carcasă iar acumularea puternică de pulberi metalice poate provoca pericole electrice.

o) Nu folosiți scula electrică în apropierea materialelor inflamabile. Scântelele pot duce la aprinderea acestor materiale.

p) Nu folosiți dispozitive de lucru care necesită agenți de răcire lichizi. Folosirea apei sau a altor agenți de răcire lichizi poate duce la electrocutare.

Recul și avertismente corespunzătoare

Recul este reacția bruscă apărută la agățarea sau blocarea unui dispozitiv de lucru care se rotește, cum ar fi un disc de șlefuit, un disc abraziv, o perie de sârmă, etc. Agățarea sau blocarea duce la oprirea bruscă a dispozitivului de lucru care se rotește. Aceasta face, ca scula electrică necontrolată să fie accelerată în punctul de blocare, în sens contrar direcției de rotație a dispozitivului de lucru.

Dacă, de exemplu, un disc de șlefuit se agată sau se blochează în piesa de lucru, marginea discului de șlefuit care penetrează direct piesa de lucru se poate agăța în această și duce astfel la smulgerea discului de șlefuit sau poate provoca recul. Discul de șlefuit se va deplasa către operator sau în sens opus acestuia, în funcție de direcția de rotație a discului în punctul de blocare.

Un recul este consecința utilizării greșite sau defectuoase a sculei electrice. El poate fi împiedicat prin măsuri preventive adecvate, precum cele descrise în continuare.

a) Țineți bine scula electrică și aduceți-vă corpul și brațele într-o poziție în care să puteți controla forțele de recul. Folosiți întotdeauna un mâner suplimentar, în caz că acesta există, pentru a avea un control maxim asupra forțelor de recul sau a momentelor de reacție la turații înalte. Operatorul poate stăpâni forțele de recul și de reacție prin măsuri preventive adecvate.

b) Nu apropiați niciodată mâna de dispozitivele de lucru aflate în mișcare de rotație. În caz de recul dispozitivul de lucru se poate deplasa peste mâna dumneavoastră.

c) Evitați să staționați cu corpul în zona de mișcare a sculei electrice în caz de recul. Reculul proiectează scula electrică într-o direcție opusă mișcării discului de șlefuit din punctul de blocare.

d) Lucrați extrem de atent în zona colțurilor, muchiilor ascuțite, etc. Împiedicați ricoșarea dispozitivului de lucru de pe piesa de lucru și blocarea acestuia. Dispozitivul de lucru aflat în mișcare de rotație are tendința să se blocheze în colțuri, pe muchii ascuțite sau când ricoșează în urma izbirii. Aceasta duce la pierderea controlului sau la recul.

e) Nu folosiți pânze de ferăstrău pentru lemn sau pânze dințate. Asemenea dispozitive de lucru provoacă frecvent recul sau duc la pierderea controlului asupra sculei electrice.

AS 12 E:

Avertismente speciale privind șlefuirea cu hârtie abrazivă

a) Nu întrebuințați foi abrazive supradimensionate ci respectați indicațiile fabricantului privitoare la dimensiunile foilor abrazive. Foile abrazive care depășesc marginea discului abraziv, pot cauza răniri precum și agățarea, ruperea foilor abrazive, sau pot duce la recul.

AP 12 E:

Avertismente speciale privind șlefuirea cu hârtie abrazivă

a) Nu întrebuințați foi abrazive supradimensionate ci respectați indicațiile fabricantului privitoare la dimensiunile foilor abrazive. Foile abrazive care depășesc marginea discului abraziv, pot cauza răniri precum și agățarea, ruperea foilor abrazive, sau pot duce la recul.

Aparatele utilizate în multe locații diferite inclusiv în aer liber trebuie conectate printr-un disjunct (FI, RCD, PRCD) care previne comutarea.

Rumegușul și spanul nu trebuie îndepărtate în timpul funcționării mașinii.

Conectați la rețea numai când mașina este oprită.

Nu intrați niciodată în zona de pericol a plăcii când este în mișcare.

Utilizați întotdeauna mânerul auxiliar.

Opriti imediat mașina în caz de vibrații puternice sau dacă apar alte defecțiuni. Verificați mașina pentru depistarea cauzei.

Întotdeauna utilizați și păstrați discurile de șlefuire numai în conformitate cu instrucțiunile producătorului.

Când se șlefuieste metal, se produc scântei zburătoare.

Aveți grijă că nici o persoană să nu fie pusă în pericol. Datorită pericolului de incendiu, nici un material combustibil nu trebuie să fie amplasat în vecinătate (în zona de zbor a scânteiilor)

Aveți grijă că nici o scânteaie sau praf de șlefuit să nu

Piulița de reglare trebuie să fie stransă înainte de începerea lucrului cu această mașina.

Piesa de prelucrat trebuie fixată dacă nu este suficient de grea pentru a fi stabilă. Nu îndreptați niciodată piesa de prelucrat către discul polizorului cu mâna dvs.

În condiții extreme de utilizare (de ex. lustruirea metalelor cu platanul de reazem și cu discurile de șlefuit din fibră vulcanizată), în interiorul polizorului unghiular poate apărea murdărie în cantitate mare. În asemenea condiții de utilizare, din motive de siguranță este necesară o curățare temeinică a depunerilor metalice din interior și, obligatoriu, inserierea unui întreprător diferențial. În caz de declanșare a întreprătorului diferențial, mașina se va trimite la reparat.

Pentru sculele care se intenționează a fi dotate cu roți cu orificiu filetat, asigurați-vă că filetul roții este destul de lung pentru a accepta lungimea axului.

CONDIȚII DE UTILIZARE SPECIFICATE

AP 12 E: Mașina de lustruit poate fi utilizată pentru lustruirea lacurilor, acoperirilor, materialelor plastice și altor suprafețe netede.

AS 12 E: Mașina de șlefuit poate fi utilizată pentru șlefuirea lemnului, materialelor plastice și metalului.

Nu utilizați acest produs în alt mod decât cel stabilit pentru utilizare normală

DECLARAȚIE DE CONFORMITATE

Declarăm pe propria răspundere că acest produs este în conformitate cu următoarele standarde sau documente standardizate EN 60745, EN 55014-1, EN 55014-2, EN 61000-3-2, EN 61000-3-3, în conformitate cu reglementările 2006/42/EC, 2004/108/EC .



Winnenden, 2010-01-10

Rainer Kumpf
Manager Product Development

Împuternicit să elaboreze documentația tehnică.

ALIMENTARE DE LA REȚEA

Conectați numai la priza de curent alternativ monofazat și numai la tensiunea specificată pe placuța indicatoare. Se permite conectarea și la prize fără împământare dacă modelul se conformează clasei II de securitate.

INTREȚINERE

Fantele de aerisire ale mașinii trebuie să fie menținute libere tot timpul

Utilizați numai accesorii și piese de schimb AEG. Dacă unele din componente care nu au fost descrise trebuie înlocuite, vă rugăm contactați unul din agenții de service AEG (vezi lista noastră pentru service / garanție)

Dacă este necesară, se poate comanda o imagine descompusă a sculei. Vă rugăm menționați numărul art. Precum și tipul mașinii tipărit pe etichetă și comandați desenul la agenții de service locali sau direct la AEG Elektrowerkzeuge, Max-Eyth-Straße 10, D-71364 Winnenden, Germany.

SIMBOLURI



Va rugăm citiți cu atenție instrucțiunile înainte de pornirea mașinii



Purtați întotdeauna ochelari de protecție când utilizați mașina.



Întotdeauna scoateți stecherul din priză înainte de a efectua intervenții la mașină.



Accesorii - Nu este inclus în echipamentul standard, disponibil ca accesorii



Nu aruncați scule electrice în gunoiul menajer! Conform directivei europene nr. 2002/96/CE referitor la aparate electrice și electronice uzate precum și la transpunerea acesteia în drept național, sculele electrice trebuie colectate separat și introduse într-un circuit de reciclare ecologic.

ТЕХНИЧКИ ПОДАТОЦИ

Полирач/Брусилка

PE 150

/ SE 12-180

Определен внес.....	1200 W.....	1200 W
Излез.....	600 W.....	600 W
Брзина без оптоварување.....	900-2500 min ⁻¹	1800-4800 min ⁻¹
Макс. брзина без оптоварување.....	4700 min ⁻¹	9000 min ⁻¹
Дијаметар на дискот за глодање.....	150 mm.....	180 mm
Срце на работната оска.....	M 14.....	M 14
Тежина без кабел.....	2,1 kg.....	2,5 kg

Информација за бучавата/вибрациите

Измерените вредности се одредени согласно стандардот EN 60 745.

A-оценетото ниво на бучава на апаратот типично изнесува:

Ниво на звучен притисок. (K = 3 dB(A)).....	82 dB(A).....	82 dB(A)
Ниво на јачина на звук. (K = 3 dB(A)).....	93 dB(A).....	93 dB(A)

Носте штитник за уши.

Вкупни вибрациски вредности (векторски збир на трите насоки) пресметани согласно EN 60745.

Полски. Вибрациска емисиона вредност a _n	<2,5 m/s ²	- m/s ²
Несигурност K.....	1,5 m/s ²	- m/s ²
Мазнење со хартија за шмирглање: Вибрациска емисиона вредност a _n	- m/s ²	2,8 m/s ²
Несигурност K.....	- m/s ²	1,5 m/s ²

ПРЕДУПРЕДУВАЊЕ

Нивото на осцилација наведено во овие инструкции е измерено во согласност со мерните постапки нормирани во EN 60745 и може да биде употребено за меѓусебна споредба на електро-алати. Ова ниво може да се употреби и за привремена проценка на оптоварувањето на осцилацијата.

Наведеното ниво на осцилација ги репрезентира главните намени на електро-алатот. Но, доколку електро-алатот се употребува за други намени, со отстапувачки додатоци или со несоодветно одржување, нивото на осцилација може да отстапи. Тоа може значително да го зголеми оптоварувањето на осцилацијата за време на целиот работен период.

За прецизна проценка на оптоварувањето на осцилацијата предвид треба да бидат земени и времињата, во коишто апаратот е исклучен или работи, но фактички не се употребува. Тоа може значително да го намали оптоварувањето на осцилацијата за време на целиот работен период.

Утврдете дополнителни безбедносни мерки за заштита на операторот од влијанието на осцилациите, како на пример: одржување на електро-алатот и на додатоци кон електро-алатот, одржување топли раце, организација на работните процеси.

⚠ ПРЕДУПРЕДУВАЊЕ! Прочитајте ги сите безбедносни упатства и инструкции. Заборавање на почитувањето на безбедносните упатства и инструкции можат да предизвикаат електричен удар, пожар и/или тешки повреди. **Сочувајте ги сите безбедносни упатства и инструкции за во иднина.**

УПАТСТВО ЗА УПОТРЕБА

Заднички безбедносни упатства мазнење со хартија за шмирглање и полски.

а) Овој електро-алат треба да се употребува како шлајферица со хартија за шмирглање (применливо само за AP 12 E) и машина за полски (применливо само за AS 12 E). Почитувајте ги сите безбедносни упатства, упатства за работа, прикази и податоци што ги добивате заедно со електричниот алат. Доколку не ги почитувате следните упатства, може да дојде до електричен удар, до пожар и/или до тешки повреди.

б) Овој електро-алат не е наменет за шлајфување со рапава хартија (применливо само за AP 12 E), за полирање (применливо само за AS 12 E), за брусење, работа со жичани четки и брусилки за сечење. Секакви употреби, за кои овој алат не е предвиден, можат да предизвикаат загрозувања и повреди.

в) Не употребувајте прибор што не е предвиден и препорачан од производителот специјално за овој електро-алат. Доколку извесен прибор можете да го прицврстите на вашиот електричен алат, тоа не претставува гаранција за сигурно употреба.

г) Дозволеност број на вртежи на приборот мора да биде најмалку толку голем колку што е максималниот број на вртежи зададен на електро-алат. Приборот што се врти побргу од дозволеното, може да се скрши и разлета.

д) Надворешниот дијаметар и дебелината на приборот мора да соодветствуваат со податоците за димензиите

на вашиот електро-алат. Приборите со несоодветна димензија не можат да бидат соодветно заштитени или контролирани.

ѓ) Диските за брусење, фланшовите, диските (подножјата за брусење) или друг прибор мора прецизно да соодветствуваат на осовината на вашиот електро-алат. Приборот што не одговара прецизно во осовината на електро-алатот, се врти нерамномерно, избира мошне јако и може да доведе до губење на контролата.

е) Не употребувајте оштетен прибор. Пред секоја употреба извршете контрола на подножјата за брусење по однос на пукнатини, изабаност или голема искористеност. Ако електро-алатот или приборот паднат, проверете, дали тие се оштетени или употребете неоштетен прибор. Ако приборот сте го провериле и го употребувате, тогаш вие и лицата, кои се наоѓаат во близина, треба да бидете вон доменот на ротирачкиот прибор и оставете го приборот да работи една минута со максимален број на вртежи. Оштетениот прибор најчесто се крши во овој тест-период.

ж) Носете опрема за лична заштита. Зависно од употребата, користете целосна визуелна заштита, заштита за очите или заштитни очила. Доколку е потребно, носете маска за заштита од прашина, заштита за уши, заштитни ракавици или специјална престилка, со која се заштитувате од ситни честички од шлајфувањето и од материјалот. Очите треба да бидат заштитени од страни тела што се разлетуваат наоколу, а кои настануваат при различни употреби. Заштита маска од прашина и за дишење мора да ја филтрираат прашина што се создава при работата. Доколку сте подолго време изложени на гласна бучава, тоа може да предизвика губење на слухот.

з) Кај лицата што стојат во близина внимавајте на тоа да се почитува безбедно растојание од вашиот делокруг на работа. Секој што ќе пристапи во

делокругот на работа, мора да носи опрема за лична заштита. Можат да се разлетаат парчиња од работниот материјал или од скршен прибор и да предизвикаат повреди, исто така и надвор од директниот делокруг на работа.

с) Фаќајте го електро-алатот само на изолирани површини за држење, додека извршувате работи, кај кои приборот може да погоди скриени струјни водови или сопствениот кабел за напојување со струја. Контактот со водови што спроведуваат напон, става и метални делови од електро-апаратот под напон и доведува до електричен удар.

и) Кабелот за напојување со струја чувајте го настрана од прибор што се врти. Доколку ја изгубите контролата над електро-алатот, кабелот за напојување со струја може да се исече или да се закачи и вашата рака или вашата дланка да бидат повлечени во приборот што се врти.

ј) Никогаш не оставајте го електро-алатот, додека тој не постигне состојба на комплетно мирување. Електро-алатот што се врти може да дојде во контакт со површината, на којашто се остава, а на тој начин можете да ја изгубите контролата над електро-алатот.

к) Не оставајте го електро-алатот да работи додека го носите. Вашата облека може да биде закачена преку случаен контакт со приборот што се врти, при што тој може да навлезе во вашето тело.

л) Редовно чистете го отворот за проветрување на вашиот електро-алат. Вентилаторот на моторот влече прашина во куќиштето, а големо насобирање на метална прашина може да предизвика електрични опасности.

љ) Не употребувајте го електро-алатот во близина на материјали што горат. Таквите материјали можат да се запалат од искри.

м) Не употребувајте прибор, за којшто се потребни течни средства за ладење. Употребата на вода или на други течни средства за ладење може да доведе до електричен удар.

Повратен удар и референтни безбедносни упатства

Повратниот удар претставува неочекувана реакција како последица на заглавен или блокиран прибор што се врти, како на диск за брусење, подножје за брусење, четка со жица итн. Заглавувањето или блокирањето доведува до неодољно стопирање на ротирачкиот прибор. На тој начин неконтролираниот електро-алат се забрзува во спротивна насока од насоката на вртење на приборот во точката на спојување.

Доколку, на пример, диск за брусење е заглавен или блокиран во материјалот, работ на дискот за брусење што навлегува во материјалот, може да се закачи и на тој начин да дојде до излегување на дискот или да се предизвика повратен удар. Во таков случај дискот за брусење се движи или кон операторот или настрана од него, зависно од насоката на вртење на дискот во точката на спојување.

Повратен удар претставува последица од погрешна или неисправна употреба на електро-алатот. Тој може да биде избегнат со соодветни мерки на претпазливост, како што се опишани подолу.

а) Држете го електро-алатот цврсто и поставете ги вашето тело и вашите раце во позиција, со која ќе можете да дадете отпор на силите од повратниот удар. Секогаш употребувајте ја додатната рачка, доколку постои, за да можете да имате максимална можна контрола над силите од повратниот удар или на моментите на реакција при пуштање во работа. Операторот може да ги контролира силите на повратниот удар и реакционите сили со преземање соодветни мерки на претпазливост.

б) Никогаш не поставувајте ја вашата рака во близина на прибор што се врти. Во случај на повратен удар, приборот може да биде исфрлен врз вашата рака.

в) Избегнувајте го со вашето тело местото, во кое електро-алатот се движи во случај на повратен удар. Повратниот удар го води електро-алатот во спротивна насока од насоката на движење на дискот за брусење на местото за спојување.

г) Работете особено внимателно кај агли, остри рабови итн. Спречувајте ситуации, во кои приборот се одбива од и заглавува во материјалот за обработка. Кај агли, остри рабови или во случај на одбивање ротирачкиот прибор е склон кон заглавување. Тоа предизвикува губење на контролата или повратен удар.

д) Не употребувајте ланчан диск или забест диск за сечење. Таквиот прибор честопати предизвикува повратен удар или губење на контролата над електро-алатот.

AS 12 E:
Специјални безбедносни упатства за мазенење со хартија за шмирглање:

а) Не употребувајте прекудимензионираны листови за мазенење. Следете ги податоците на производителот по однос на големината на листот за мазенење. Листови за шмирглање што зјаат надвор од подлогата за мазенење, можат да предизвикаат повреди како и блокирање, кинење на листовите или да доведат до повратен удар.

Уредите кои се користат на многу различни локации вклучувајќи и отворен простор мора да бидат поврзани за струја преку направата за поврзување (FI, RCD, PRCD).

Прашината и струготините не смеат да се одстрануваат додека е машината работи.

Вклучувањето на кабелот во струја се прави исклучиво машината е исклучена.

Никогаш не посегнувајте во зоната на опасната работна површина при вклучена машина.

Секогаш користете ја помошната рачка.

Во случај на значителни вибрации или појава на други неправилности веднаш исклучете ја машината со цел да ја најдете причината за нив.

Секогаш користете ги и чувајте ги глодачките дискови согласно препораките на производителот.

При глодање на метал, се создаваат летечки искри. Погрижете се луѓето да не бидат загрознети. Поради ризик од пожар, запалливи матери не смеат да бидат лоцирани во близина (зона на искрење). Не користете издув за прав.

Треба да се поведе соодветна грижа за искрите или честичките од камена прашина кои летаат од обработуваното парче да не дојдат во контакт со вас.

Шрафот за штепување мора да биде затегнат пред да се почне со работа со машината.

Парчето кое се обработува мора да се прицврсти доколку не е доволно тешко за да биде стабилно. Никогаш не го насочувајте работното парче кон глодачкиот диск со рака.

При екстремни услови (пр: фино глодање метали со вретено или глодачко тркало со вулканизирани влакна), значително загадување може да се насобере однатре на агоната глодалка. Од безбедносни причини, во вакви услови, внатрешноста мора да биде комплетно исчистена од метални остатоци а прекинувачот на колото на моторот мора да биде сериски поврзан. Доколку прекинувачот на колото на моторот ја расипе машината мора да биде пратена.

За алатите кои се наменати за опремување со шилесто тркало за дупчење, осигурете се дека жицата во тркалото е доволно долга за да ја прифати должината на вретеното.

СПЕЦИФИЦИРАНИ УСЛОВИ НА УПОТРЕБА

AP 12 E: Полирката може да биде употребена за полирање лакирани, заштитени, пластични и други мазни површини.

AS 12 E: Шмирглачката може да се користи за шмирглање дрво, пластика и метал. Не го користете овој производ на било кој друг начин освен пропишаниот за нормална употреба.

ЕУ-ДЕКЛАРАЦИЈА ЗА СООБРАЗНОСТ

Ние во целосна одговорност изјавуваме дека овој производ е во сообразност со следните стандарди и стандардизирани документи. EN 60745, EN 55014-1, EN 55014-2, EN 61000-3-2, EN 61000-3-3, и е во согласност со прописите 2006/42/EC, 2004/108/EC



Winnenden, 2010-01-10

Rainer Kumpf
Manager Product Development

Ополномоштен за составување на техничката документација.

ГЛАВНИ ВРСКИ

Да се спои само за една фаза AC коло и само на главниот напон наведен на плочката. Можно е исто така и поврзување на приклучок без заземјување доколку изведбата соодветствува на безбедност од 2 класа.

ОДРЖУВАЊЕ

Вентилациските отвори на машината мора да бидат комплетно отворени постојано.

Користете само AEG додатоци и резервни делови. Доколку некои од компонентите кои не се опишани треба да бидат заменети, Ве молиме контактирајте ги сервисните агенти на AEG (консултирајте ја листата на адреси).

Доколку е потребно можно е да биде набавен детален приказ на алатот. Ве молиме наведете го бројот на артиклет како и типот на машина кој е отпечатен на етикетата и порачајте ја скицата кај локалниот застапник или директно кај: AEG Elektrowerkzeuge, Max-Eyth-Straße 10, D-71364 Winnenden, Germany.

СИМБОЛИ



Ве молиме пред да ја стартувате машината обрнете внимание на упатствата за употреба.



Секогаш при користење на машината носете ракавици.



Секогаш пред спроведување на каков и да е зафат врз машината исклучете го кабелот од приклучокот.



Дополнителна опрема - Не е вклучена во стандардната, а достапна е како додаток.



Не ги фрлајте електричните апарати заедно со другиот домашен отпад! Европска регулатива 2002/96/EC за одлагање на електрична и електронска опрема и се применува согласно националните закони. Електричните апарати кои го достигнале крајот на својот животен век мора да бидат одвоено собрани и вратени во соодветна рециклажна установа.

技术参数	抛光机/磨机	AP 12 E	AS 12 E
输入功率.....		1200 W.....	1200 W
输出功率.....		600 W.....	600 W
无负载转速.....		900-2500 min ⁻¹	1800-4800 min ⁻¹
最高无负载转速.....		4700 min ⁻¹	9000 min ⁻¹
磨片直径.....		150 mm.....	180 mm
主轴螺纹.....		M 14.....	M 14
不含电缆重量.....		2,2 kg.....	2,5 kg

噪音/振动信息
本测量值符合 EN 60 745 条文的规定。
器械的标准 A-值噪音级为：
音压值 (K = 3 dB(A))..... 82 dB(A)
音量值 (K = 3 dB(A))..... 93 dB(A)
请戴上护耳罩！

依欧盟 EN 60745 标准确定的振荡总值 (三方向矢量和)。		
抛光: a _n 振荡发射值.....	<2,5 m/s ²	- m/s ²
K-不可靠性 =	1,5 m/s ²	- m/s ²
用塑料盘研磨: a _n 振荡发射值.....	- m/s ²	2,8 m/s ²
K-不可靠性 =	- m/s ²	1,5 m/s ²

注意

本规程列出的依欧盟 EN 60745 标准一项标准测量方法测量的振荡级也可用于电动工具比较并适合于临时振荡负荷估计。
该振荡级代表电动工具的主要应用。电动工具的其他应用，不正确的工作工具或欠缺维护可造成振荡级偏差。此可明显提高总工作期间的振荡负荷。
正确地估计一定工作期间的振荡负荷也要考虑到工具关闭或接通而不使用的期间。此可明确减少总工作期间的振荡负荷。
为提高操作人员对振荡作用的保护得规定补充安全措施：电动工具及工作工具的维护，温手，工作过程组织等。

注意！ 务必仔细阅读所有安全说明和安全指示（应注意阅读附上的小册子）。如未确实遵循警告提示和指示，可能导致电击、火灾并且/ 或其他的严重伤害。
妥善保存所有的警告提示和指示，以便日后查阅。

特殊安全指示

砂纸研磨，抛光作业和切割作业的警告事项：

- 本电动工具可以充当砂纸研刨光机（只在 AP 12 E）、磨机（只在 AS 12 E）。务必遵循所有与电动工具有关的警告提示、操作说明、描述和数据。如果忽视以下的指示，可能遭受电击，造成火灾甚至受重伤。
- 本电动工具不适用于砂纸研磨和（只在 AP 12 E）抛光工作（只在 AS 12 E），切割和粗磨，金属丝刷作业和砂轮切割作业的警告事项。将本电动工具用于不适合的目的可致人员重伤的风险。
- 不可以使用未经制造商指定或推荐的附件。即使您能够将此类附件固定在机器上，仍然无法确保操作安全。
- 所选用的磨具的许可转速，不可以低于电动工具的最高转速。机器的转速如果超出磨具的许可范围会损毁磨具，甚至磨具会从机器上飞开。
- 工具的外直径与厚度必须能够配合电动工具的尺寸。使用了大小不合的工具，不仅防护罩无法正确地发挥保护功能，甚至会造成机器失控。
- 砂轮，法兰，磨盘或其他附件必须与电动工具的砂轮轴完全吻合。如果磨具和电动工具的砂轮轴之间有隙，不仅磨具无法均匀旋转，转动时甚至会强烈震动，进而造成机器失控。
- 不可以使用损坏的工具。使用前先详细检查工具，检视磨盘是否已经出现裂痕，或强烈磨损。如果电动工具或工具掉落地面，务必检查机器、工具是否摔毁了，为了安全起见也可以选用其它的完好工具。检查并安装好工具之后，您本身以及您附近的人都必须远离转动中的工具。接著让电动工具以最高转速旋转一分钟。损坏的工具大多会在这段时间内断裂。

h) 穿戴好您个人的防护装备。根据用途选择合适的面具、眼罩或护目镜。视情况佩戴防尘面具、耳罩、防护手套或能够隔离细磨屑和金属碎片的特殊工作围裙。避免让操作机器时产生的飞动物体侵入眼睛。防尘面具或防毒面具必须能够过滤工作时产生的粉尘。长期暴露在高噪音的环境中，听力可能受损。

i) 与工作无关的人必须和工地保持安全距离。进入工作范围的人都必须穿戴好防护装备。工件的碎片或断裂的工具也可能飞离机器的操作地点，进而伤害工作范围以外的人。

j) 如果工作时可能切断隐藏着的电线或机器本身的电源线，那麽一定要握著绝缘手柄操作机器。电动工具如果接触了带电的线路，机器上的金属部件会导电，並可能造成操作者触电。

k) 机器的电源线必须远离自转中的工具。如果一时无法掌控机器，电源线可能被割断或捲入机器中，而您的手或手臂也可能被转动中的工具割伤。

l) 在工具尚未完全静止之前，千万不可以放下电动工具。处于自转状态的工具如果接触工作桌面，会产生机器失控的情况。

m) 携带电动工具时，切勿开动机器。您的衣服或头髮可能因为一时疏忽而被捲入自转的工具中，甚至工具会割伤您的身体。

n) 定期清洁电动工具的通风孔。发动机会把灰尘吸入机壳中，机器中如果堆积了大量的金属尘容易造成触电。

o) 不可以于易燃材料的附近使用电动工具。火花可能点燃这些材料。

p) 勿选择必须使用液态冷却剂的工具。使用水或液态冷却剂容易导致触电。

回击和有关的警告事项

运转中的工具，例如砂轮、磨盘和钢丝刷等，如果突然被卡住或堵住了，会造成突发性的反弹效应，这个反弹效应被称为回击。转动中的工具如果被堵住了或卡住了会突然停止转动，此时失去控制的电动工具会朝著工具转向的相反方向弹开。

如果砂轮在工件中被卡住或堵住了，陷在工件中的砂轮缘会被绊住，並造成砂轮断裂或产生回击。此时砂轮可能会朝著操作者移动，或飞离操作者，砂轮的移动方向是由砂轮在被阻挡处的转向决定。

未按照规定使用电动工具或者操作不当，都会造成回击。确实遵守下列各防范措施可预防回击。

a) 牢牢地握住电动工具。握持机器和操作机器的姿势必须能够抵挡回击。如果机器配备了辅助手柄，一定要握著辅助手柄操作机器，如此才能有效控制回击，並且掌握开动机器时产生的反应扭力。採取合适的预防措施便能够有效控制回击力道和反应力。

b) 手不可以靠近转动中的工具。产生回击时工具可能割伤您的手。

c) 身体必须远离电动工具的回击范围。发生回击时，电动工具会朝著砂轮转向的相反方向弹开。

d) 在角落和锋利的边缘上工作时必须特别小心。避免让工具回弹或是被工件夹住。转动中的工具容易被夹在角落或锋利的边缘上。如果发生上述状况，可能无法控制机器或者造成机器回击。

e) 不可以使用锯链或齿状锯片。使用此类工具容易造成回击，也容易发生机器失控的情况。

AS 12 E:

有关砂纸研磨的特殊警告事项

a) 不可以使用过大的砂磨纸。请按照机器製造商提供的尺寸，选购合适的砂磨纸。砂磨纸如果突出磨盘之外可能引起伤害或堵住磨盘。而且过大的砂磨纸容易被扯破甚至还会造成机器回击。

AP 12 E:

有关抛光的特别警告事项

a) 抛光罩上不可以有任何松脱的部件，特别是抛光罩的固定绳索。更换或剪短过长的固定绳索。松脱或随著机器旋转的固定绳索可能缠住您的手指，或被卷入转动的工具中。

户外插座必须连接剩余电流防护开关。这是使用电器用品的基本规定。使用本公司机器时，务必遵守这项规定（FI, RCD, PRCD）。

如果机器仍在运转，切勿清除其上的木屑或金属碎片。

确定机器已经关闭了才可以插上插头。

请与运转中的机器保持安全距离。

务必使用辅助把手。

如果机器强烈震动或出现其它毛病，必须马上关闭机器。详细检查机器以找出故障的原因。

根据磨盘制造商提供的指示操作、储藏磨盘。

研磨金属时会产生火花。勿让喷濺的火花伤害旁观者。为了预防火灾，工作范围内（火花的喷濺范围内）不可堆放易燃物品。不可以使用吸尘装置。

握持机器时请注意，勿让火花或研磨屑喷到身上。

使用机器之前必须先收紧法兰螺母。

如果工作无法靠本身的重量站稳，则必须使用固定装置夹紧工件。割锯时切勿用手握持工件。

在某些极端的使用状况下（例如用支撑磨盘和纤维板磨盘研磨金属表面），会在角磨机的内部囤积大量污垢。基于安全的理由，必须彻底清除机器内部的金属堆积物，并且要在机器上连接剩余电流（FI）防护开关。如果剩余电流防护开关发出警告讯号，要尽快把机器交给合格修理厂修理。

使用有螺纹安装孔的磨盘时必须注意，安装孔上螺纹的长度必须能够配合主轴的长度。

正确地使用机器

AP 12 E: 本抛光机可以用来抛光油漆表层、保护漆层、塑料以及其它平滑的表面。

AS 12 E: 本研磨机适合在木材、塑料和墙壁上进行表面磨平作业。请依照本说明书的指示使用此机器。

维修

机器的通气孔必须随时保持清洁。

只能使用 AEG 的配件和零件。缺少检修说明的机件如果损坏了，必须交给 AEG 的顾客服务中心更换（参考手册“保证书/顾客服务中心地址”）。

如果需要机器的分解图，可以向您的顾客服务中心或直接向 AEG Elektrowerzeuge, Max-Eyth-Strasse 10, D-71364 Winnenden, Germany。案件时必须提供以下资料：机型和机器铭牌上的十位数字号码。

符号



使用本机器之前请详细阅读使用说明书。



操作机器时务必佩戴护目镜。



在机器上进行任何修护工作之前，务必从插座上拔出插头。



配件 - 不包含在供货范围中。请另外从配件目录选购。



不可以把损坏的电动工具丢弃在家庭垃圾中！根据被欧盟各国引用的有关旧电子机器的欧洲法规 2002/96/EG，必须另外收集旧电子机器，並以符合环保规定的方式回收再利用。

Copyright 2010

Milwaukee Electric Tool
Max-Eyth-Straße 10
D-71364 Winnenden
Germany

+49 (0) 7195-12-0



(02.10)

Printed in Germany **4931 4141 22**